

# Standard, Miniature and Larger Stud Double Assembly

## 5-WAY® Binding Posts

Double Assembly 5-WAY® Binding Posts are designed for faster, more accurate mounting on 3/4-inch (19mm) centers. Conventional miniature, standard and larger stud types have panel insulating parts in black only. Thumbnuts are available in color combinations of red and black, black and black and red and red. Plastic insulating parts have the same characteristics as single types. Metal parts are available in gold, nickel or tin plated brass parts.

Double assembly types are available in single packs or in 10-quantity bulk packs. All are Underwriters Laboratories recognized components.

**Standard Hex Nut and Fluted Nut Types** - Rated for 30 A, 1000 V working.

**Miniature Fluted Nut Types** - Rated for 15A, 1000 V working.

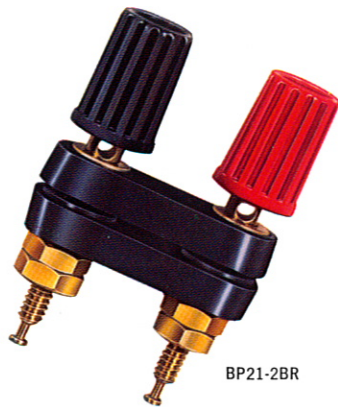
Thumbnuts		Plating on Brass Parts	TYPE*	Max. Amps	Insulator Color
Design	Colors				
<b>Miniature (#6-32 UNC-2A Stud)</b>					
Fluted	Black & Black	Gold Nickel Tin	BP21-2BB BP21-2BBN BP21-2BBT	15	Black
	Red & Red	Gold Nickel Tin	BP21-2RR BP21-2RRN BP21-2RRT		
	Black & Red	Gold Nickel Tin	BP21-2BR BP21-2BRN BP21-2BRT		
<b>Standard (#8-32 UNC-2A Stud)</b>					
Hex	Black & Black	Gold Nickel Tin	BP30-2BB BP30-2BBN BP30-2BBT	30	Black
	Red & Red	Gold Nickel Tin	BP30-2RR BP30-2RRN BP30-2RRT		
	Black & Red	Gold Nickel Tin	BP30-2BR BP30-2BRN BP30-2BRT		
Fluted	Black & Black	Gold Nickel Tin	BP31-2BB BP31-2BBN BP31-2BBT	30	Black
	Red & Red	Gold Nickel Tin	BP31-2RR BP31-2RRN BP31-2RRT		
	Black & Red	Gold Nickel Tin	BP31-2BR BP31-2BRN BP31-2BRT		
<b>Larger Stud (#10-32 UNF-2A Stud)</b>					
Hex	Black & Black	Gold Nickel Tin	BP30-2BB10 BP30-2BB10N BP30-2BB10T	30	Black
	Red & Red	Gold Nickel Tin	BP30-2RR10 BP30-2RR10N BP30-2RR10T		
	Black & Red	Gold Nickel Tin	BP30-2BR10 BP30-2BR10N BP30-2BR10T		
Fluted	Black & Black	Gold Nickel Tin	BP31-2BB10 BP31-2BB10N BP31-2BB10T	30	Black
	Red & Red	Gold Nickel Tin	BP31-2RR10 BP31-2RR10N BP31-2RR10T		
	Black & Red	Gold Nickel Tin	BP31-2BR10 BP31-2BR10N BP31-2BR10T		

\* Order single pack quantities by adding suffix "-1 PKG", for example BP30-2BB-1 PKG; order bulk pack quantities by adding suffix "-B PKG", for example BP30-2BB-B PKG.

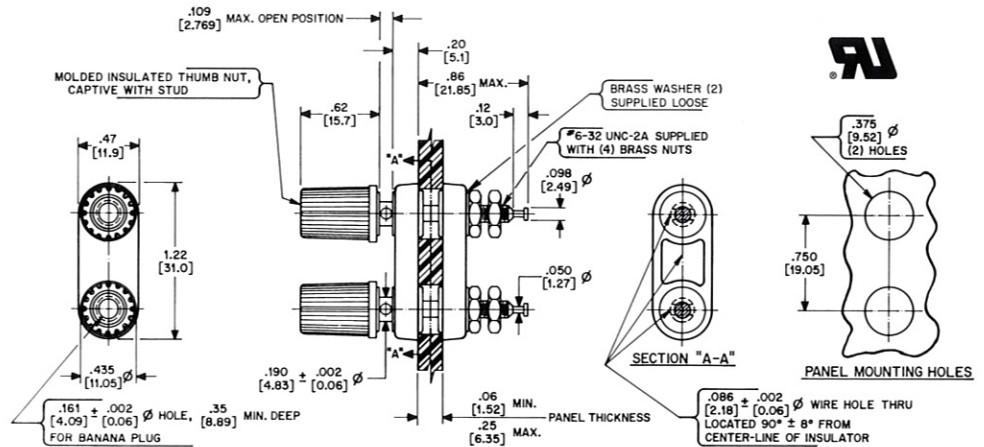
# Standard, Miniature and Larger Stud Double Assembly

## 5-WAY® Binding Posts

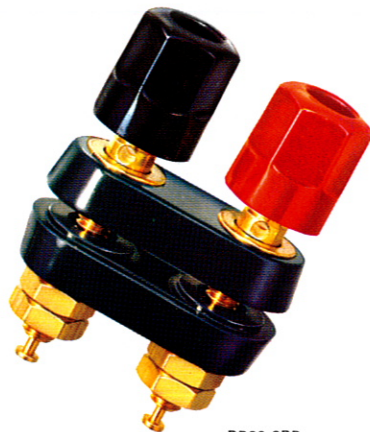
### TYPE BP21-2BR DIMENSIONS



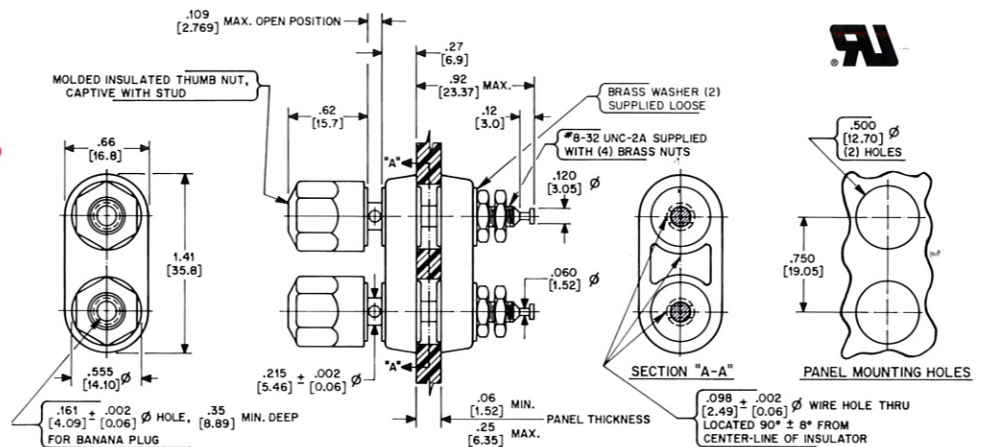
BP21-2BR



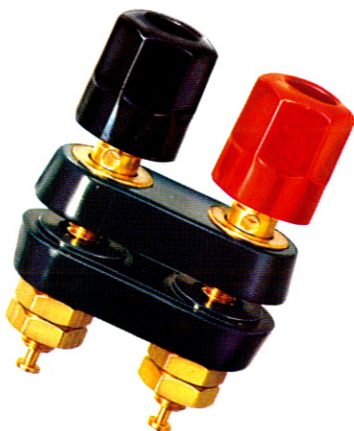
### TYPE BP30-2BR DIMENSIONS



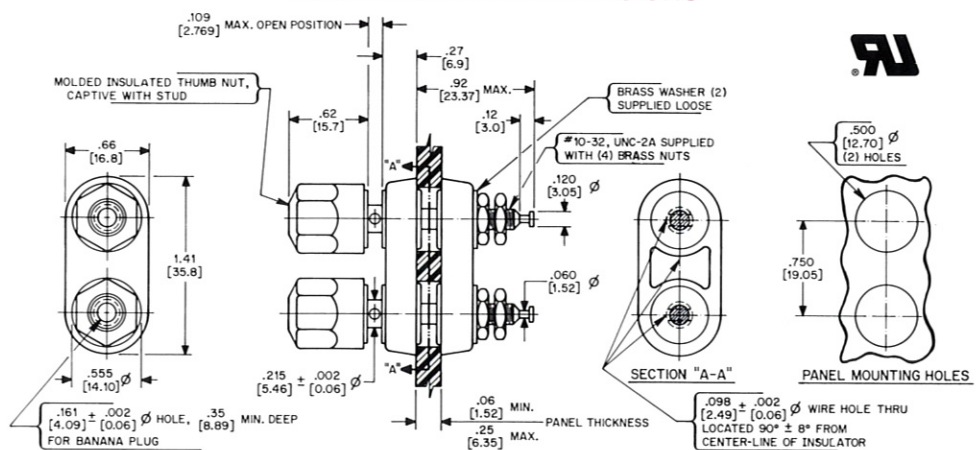
BP30-2BR



### TYPE BP30-2BR10 DIMENSIONS



BP30-2BR10



## **X-ON Electronics**

Largest Supplier of Electrical and Electronic Components

*Click to view similar products for superior electric manufacturer:*

Other Similar products are found below :

[M062-FD04](#) [116CU](#) [A201053G10](#) [Q117U](#) [RB126](#) [EN216B](#) [BP21B](#) [BP30-2BR-1PKG](#) [P056344-061](#) [226-2](#) [A201053-061](#) [SS50-P1](#) [217CT](#)  
[218832-001](#) [PS250GY](#) [Q116U](#) [30M217BT](#) [RB10B](#) [RB-116](#) [BP176021-001](#) [56008-001](#) [3PN117C](#) [017702-004](#) [10C-2](#) [10C-3](#) [RB146](#)  
[65381-001](#) [P017502-002](#) [P176005-001](#) [P6B](#) [176012-001](#) [22](#) [P151078-002](#) [WBD800](#) [VMD-100](#) [WBD450](#) [PS250GR](#) [117CT](#) [124737-000](#)  
[151035-001](#) [A201052G7](#) [216CU](#) [217CU](#) [236B](#) [PP50GY](#) [3PN126](#) [RP250GGN](#) [051544-001](#) [065431-001](#) [117CU](#)