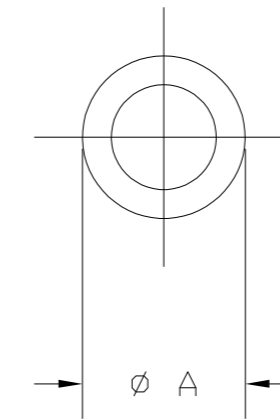
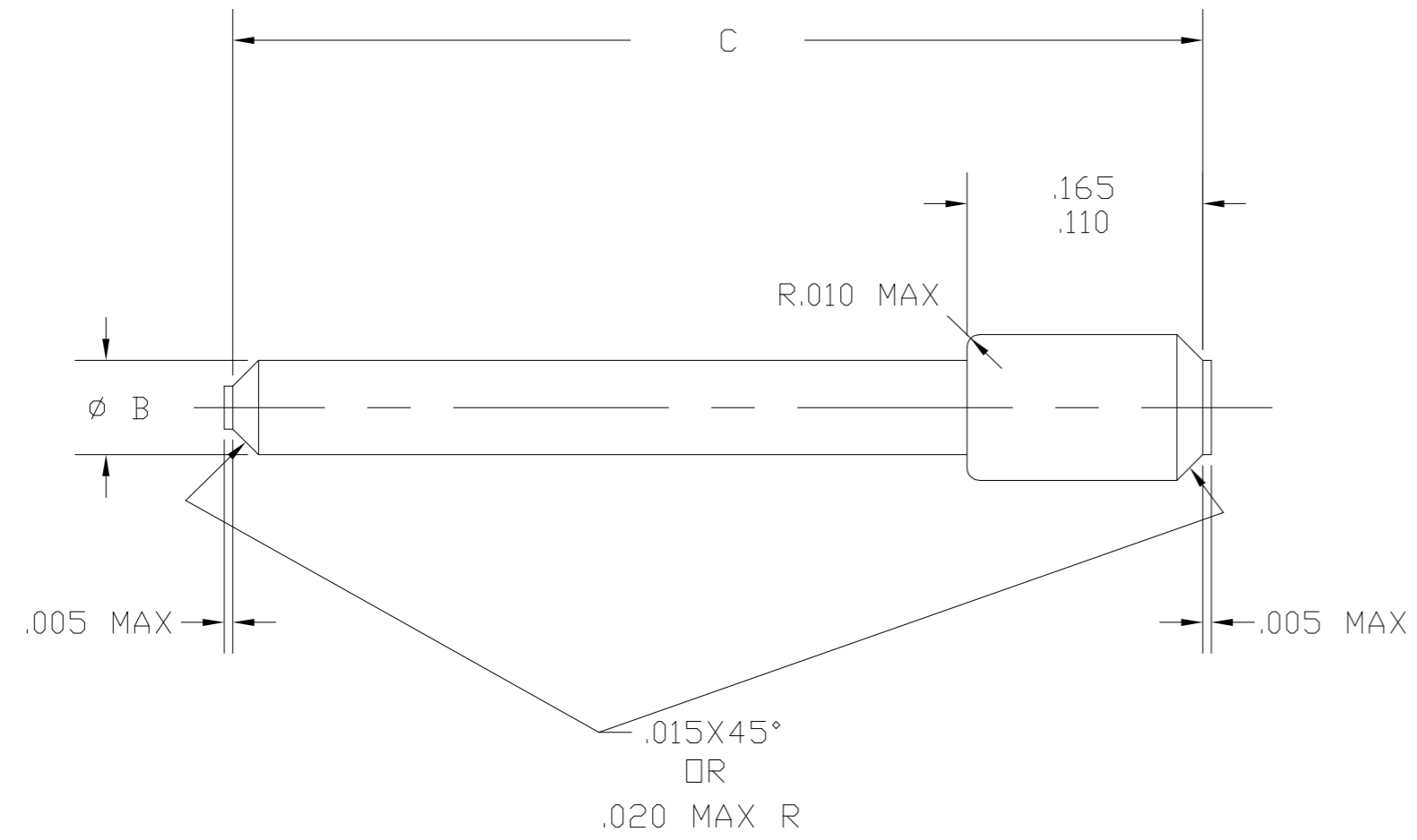


THIS DRAWING IS UNPUBLISHED. RELEASED FOR PUBLICATION
 © COPYRIGHT - By - ALL RIGHTS RESERVED.

LDC		DIST		REVISIONS			
P	LTR	DESCRIPTION		DATE	DWN	APVD	
-	-	F		REV PER ECO 14-016957	2-2-07	CT	DE



.469±.031	.040±.005	.063±.005	BLACK	22HD	592104-4
.564±.020	.121±.010	.171±.005	YELLOW	12	592104-3
.564±.020	.083±.010	.133±.005	BLUE	16	592104-2
.564±.020	.055±.010	.085 ^{+.015} _{-.000}	RED	20/22	592104-1
DIM. C	DIM. B	DIM. A	COLOR	SIZE	PART NO.

TABULATION CHART

THIS DRAWING IS A CONTROLLED DOCUMENT.		DWN	J. BAKER	12MAY99																		
DIMENSIONS: INCHES		CHK	D. MILLER	5-11-99																		
TOLERANCES UNLESS OTHERWISE SPECIFIED:		APVD	D. MILLER	5-11-99																		
<table border="1"> <tr><td>0 PLC</td><td>±</td><td>-</td></tr> <tr><td>1 PLC</td><td>±</td><td>-</td></tr> <tr><td>2 PLC</td><td>±</td><td>-</td></tr> <tr><td>3 PLC</td><td>±</td><td>.005</td></tr> <tr><td>4 PLC</td><td>±</td><td>-</td></tr> <tr><td>ANGLES</td><td>±</td><td>-</td></tr> </table>		0 PLC	±	-		1 PLC	±	-	2 PLC	±	-	3 PLC	±	.005	4 PLC	±	-	ANGLES	±	-	NAME	
0 PLC	±	-																				
1 PLC	±	-																				
2 PLC	±	-																				
3 PLC	±	.005																				
4 PLC	±	-																				
ANGLES	±	-																				
MATERIAL	TEFLON PER MS27488	FINISH	-	APPLICATION SPEC	-																	
WEIGHT		-		SIZE	A2																	
CUSTOMER DRAWING		SCALE 10:1		CAGE CODE	00779																	
SHEET		1 OF 1		DRAWING NO	C-592104																	
REV		F		RESTRICTED TO	-																	

X-ON Electronics

Largest Supplier of Electrical and Electronic Components

Click to view similar products for [Junction System Tools & Accessories](#) category:

Click to view products by [TE Connectivity](#) manufacturer:

Other Similar products are found below :

[M81714/67-04](#) [RBGT-2](#) [M81714/67-06](#) [TJT400200](#) [YCTJ-3D-12V0030000](#) [SJT508404](#) [SJTC08000](#) [TJT701003](#) [TJT701008](#) [TJT703002](#)
[M81714/5-7](#) [YCTJ-3A-08C0560000](#) [RBD20-1](#) [00111922302](#) [RBMT10](#) [MDTB20-4](#) [RBGT-6](#) [00111922402](#) [00172023200](#) [PCL03ANZ04](#)
[TJT701004](#) [RBR20-4](#) [PCL03AHZ08](#) [PCL03ANZ05](#) [TJT703005](#) [TJT701005](#) [PCL03AHZ16](#) [PCL03AHZ12](#) [00118400034](#) [YCTJ-2A-](#)
[01V0030000](#) [00611420007](#) [00611405118](#) [00611421005](#) [TJT701010](#) [00611420004](#) [TJT703003](#) [TJT703004](#) [AMY7200T1L72](#) [TJT703017](#)
[00610100200](#) [RBDSC-2](#) [00111920202](#) [00111920302](#) [591637-2](#) [RBMT4](#) [M81714/67-03](#) [M81714/1-DB3-LC](#) [M81714/5-5](#) [00326210500](#)
[BACC47ET1](#)