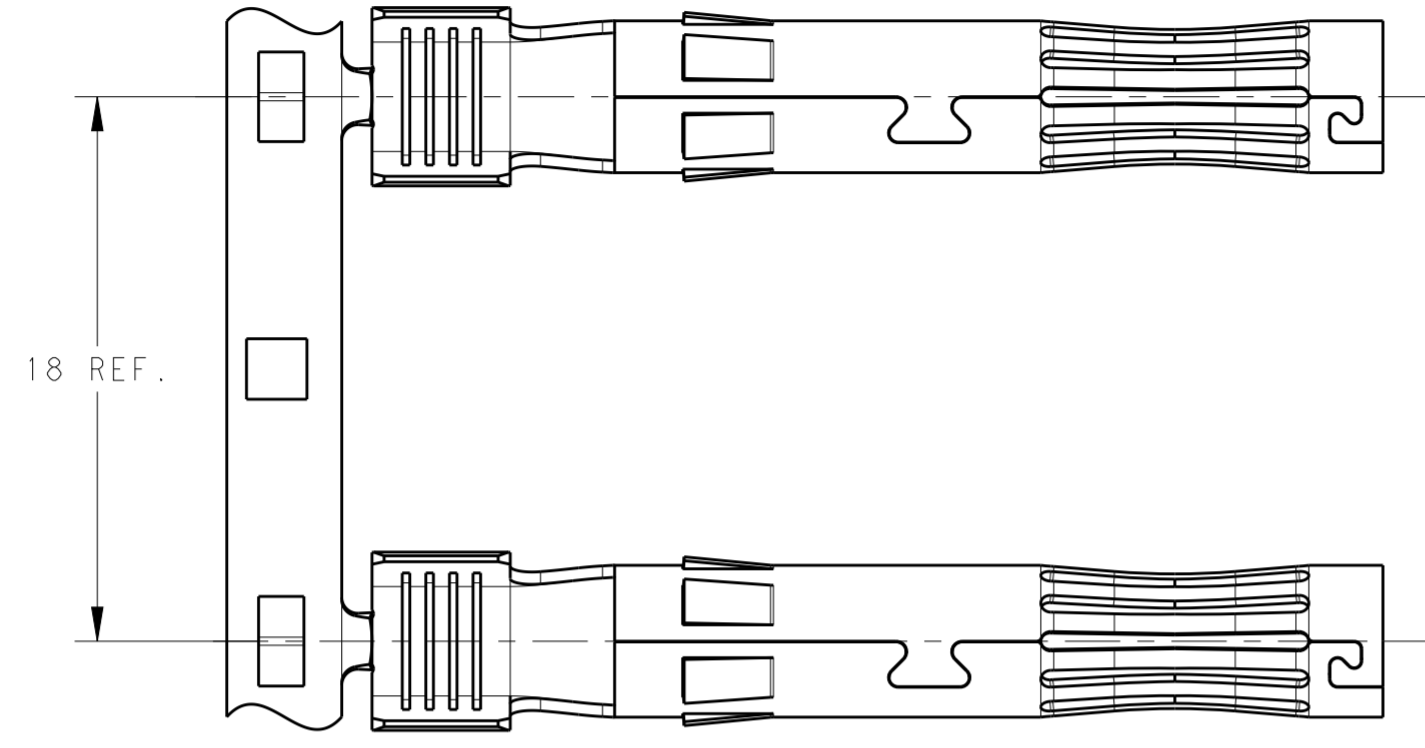
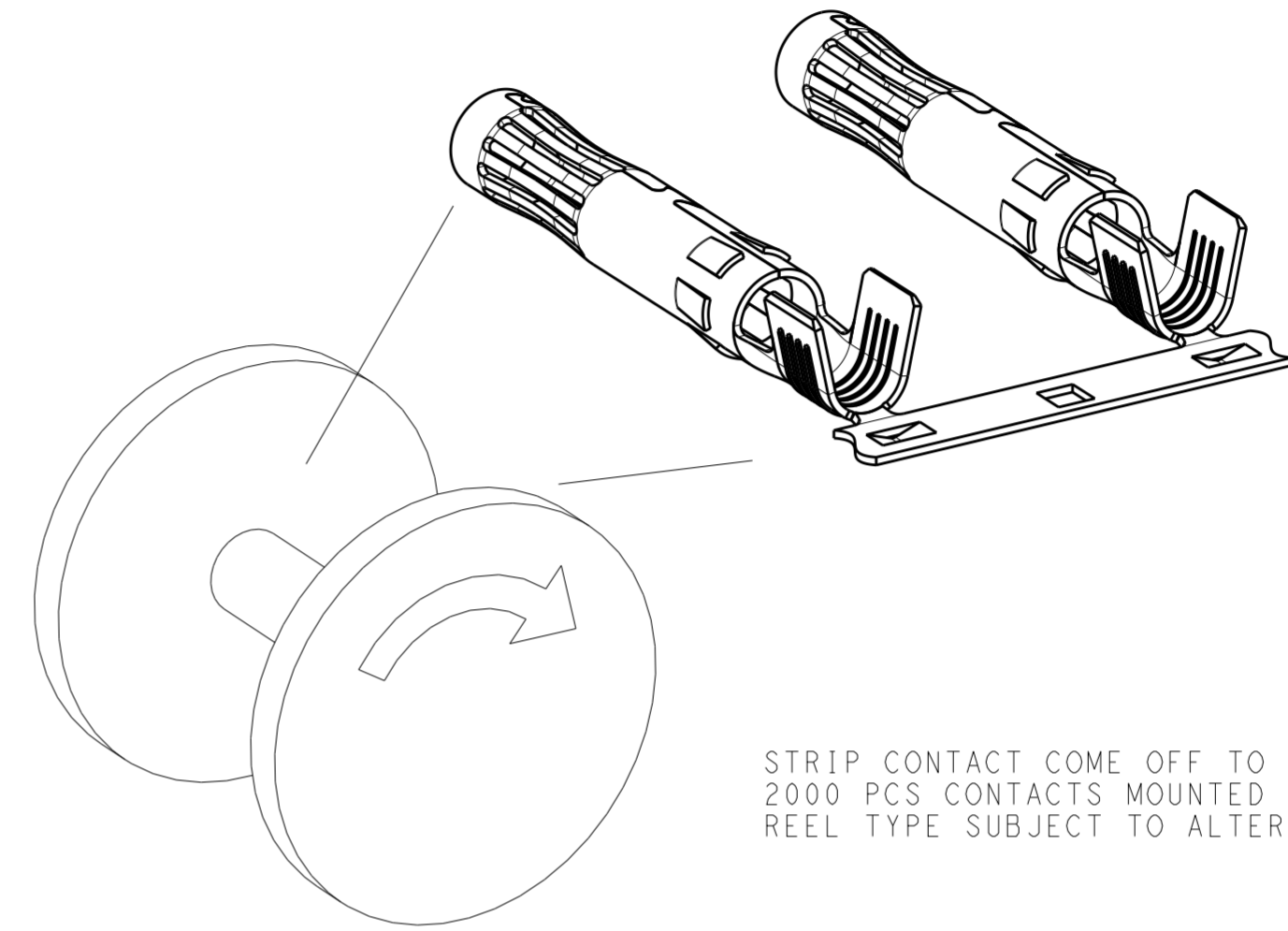


THIS DRAWING IS UNPUBLISHED. RELEASED FOR PUBLICATION 20
 © COPYRIGHT 20 TE CONNECTIVITY ALL RIGHTS RESERVED.

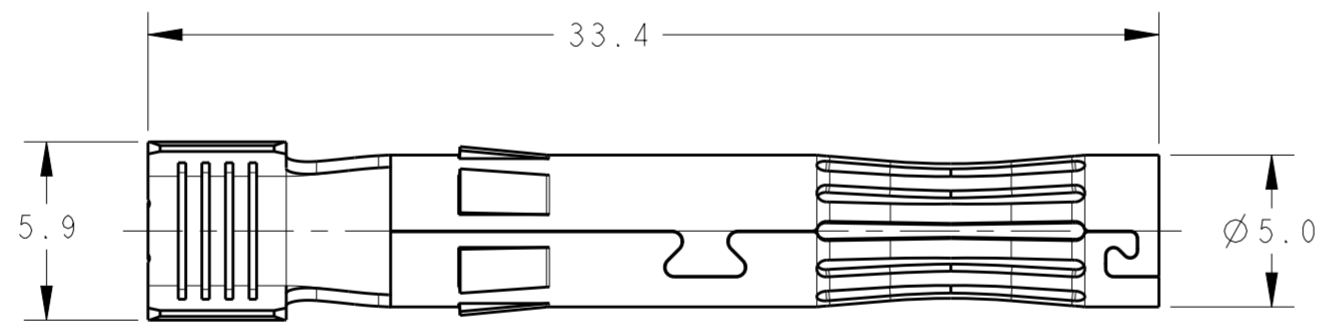
LOC	DIST	REVISIONS			
P	LTR	DESCRIPTION	DATE	DWN	APVD
	A2	ECR-13-013865	04SEP2013	LW	PY
	A3	ECR-14-015468	20OCT2014	LW	PY
	A4	ECR-15-005723	13APR2015	KR	TD
	B	ECR-17-009698	29AUG2017	SG	MS



STRIP
-2 AS SHOWN

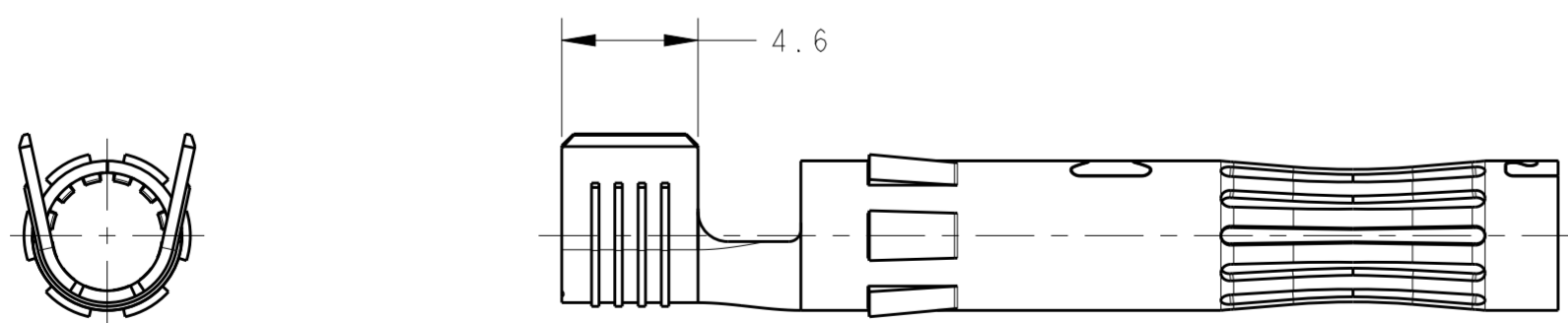


STRIP CONTACT COME OFF TO ASSEMBLY
2000 PCS CONTACTS MOUNTED REEL
REEL TYPE SUBJECT TO ALTERNATION



1. MATERIAL: COPPER ALLOY, TIN PLATED
2. USED FOR SOLAR CABLE: 4mm²/12AWG, 6mm²/10AWG.
3. PLS DON'T TOUCH THE CONTACT DIRECTLY BY HAND WITHOUT ANY PROTECTION.

⚠ USE ONLY CRIMPING TOOL OF TE CONNECTIVITY TO CRIMP CONTACT. CRIMPING TOOL PN 6-1579014-8 WILL BE USED FOR CRIMPING THE CONTACTS HAVING WIRE SIZE 4.0mm²+6.0mm².



LOOSE PIECE
-3 AS SHOWN

LOOSE PIECE	1971858-6	1
	1971858-5	10
	1971858-4	100
	1971858-3	1000
STRIP	1971858-2	2000
CONTACT TYPE	PART NUMBER	PACKING UNIT
FOR ORDER		

THIS DRAWING IS A CONTROLLED DOCUMENT.		DWN CHRIS WANG 09AUG2012	TE Connectivity															
DIMENSIONS: mm		CHK TANDY TANG 09AUG2012																
TOLERANCES UNLESS OTHERWISE SPECIFIED:		APVD PETER YIN 09AUG2012	NAME SOCKET CONTACT SOLARLOK PV4 CONNECTOR															
<table border="0"> <tr> <td>0 PLC</td> <td>±0.5</td> </tr> <tr> <td>1 PLC</td> <td>±0.3</td> </tr> <tr> <td>2 PLC</td> <td>±</td> </tr> <tr> <td>3 PLC</td> <td>±</td> </tr> <tr> <td>4 PLC</td> <td>±</td> </tr> <tr> <td>ANGLES</td> <td>±</td> </tr> <tr> <td>FINISH</td> <td>±</td> </tr> </table>		0 PLC	±0.5	1 PLC	±0.3	2 PLC	±	3 PLC	±	4 PLC	±	ANGLES	±	FINISH	±	PRODUCT SPEC 108-106078	RESTRICTED TO	
0 PLC	±0.5																	
1 PLC	±0.3																	
2 PLC	±																	
3 PLC	±																	
4 PLC	±																	
ANGLES	±																	
FINISH	±																	
MATERIAL COPPER ALLOY	TIN	APPLICATION SPEC 114-106078	SIZE A2	CAGE CODE 00779														
		WEIGHT -	DRAWING NO C-1971858	SCALE 4:1														
		Customer Drawing	SHEET 1	REV B														

X-ON Electronics

Largest Supplier of Electrical and Electronic Components

Click to view similar products for [Solar Connectors / Photovoltaic Connectors](#) category:

Click to view products by [TE Connectivity](#) manufacturer:

Other Similar products are found below :

[1718077-2](#) [1740699-7](#) [1971861-4](#) [1971131-4](#) [1971858-3](#) [1971861-3](#) [PV-090508-F03](#) [PV-090508-M10](#) [PV-090510-F03](#) [PV-090508-M06-N](#)
[1020775](#) [PV-090506-F03](#) [UTXPM](#) [UTXPF](#) [1020776](#) [1017635](#) [1017636](#) [1-2306314-1](#) [1-2306314-2](#) [1302440201](#) [1706514](#) [1987424-1](#)
[1987281-3](#) [1987280-1](#) [1954381-5](#) [UTXFM4R](#) [1987419-1](#) [2-1971861-1](#) [2-1971861-2](#) [2-1971862-1](#) [2-1971862-2](#) [H4CFC2DI](#) [H4CFC4DI](#)
[H4CMC6DI](#) [UTXFF4R](#) [H4CFC6DI](#) [H4CMC4DI](#) [H4CPC2DI](#) [1987281-1](#) [1987280-4](#) [1394461-8](#) [1622156](#) [1704931](#) [1410658](#) [1704928](#)
[1622662](#) [1622661](#) [1705088](#) [1705199](#) [H4CMC6DM](#)