

# 5 x 20mm Fuses

## GDC Series, Time-Delay, Glass Tube

### Description

- Time-delay, low breaking capacity
- Optional axial leads available
- 5 x 20mm physical size
- Glass tube, nickel-plated brass endcap construction
- Designed to IEC 60127-2 (32mA-10A)

| Electrical Characteristics |           |        |            |        |         |       |          |  |
|----------------------------|-----------|--------|------------|--------|---------|-------|----------|--|
| $I_n$                      | $2.1 I_n$ |        | $2.75 I_n$ |        | $4 I_n$ |       | $10 I_n$ |  |
|                            | max       | min    | max        | min    | max     | min   | max      |  |
| 32mA-100mA                 | 2 min     | 200 ms | 10 sec     | 40 ms  | 3 sec   | 10 ms | 300 ms   |  |
| 125mA-6.3A                 | 2 min     | 600 ms | 10 sec     | 150 ms | 3 sec   | 20 ms | 300 ms   |  |

### Agency Information

- cURus Recognition: Guide JDYX2/JDYX8, File E19180
- IMQ Approval: File E1921, CA03.00530
- MITI/JET: File JET1641-31003-1005

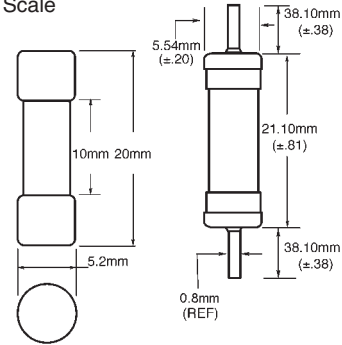
### Ordering

- Specify packaging, product, and option code
- With TR2 packaging code, lead wire length is 19.05mm



### Dimensions - mm

Drawing Not to Scale

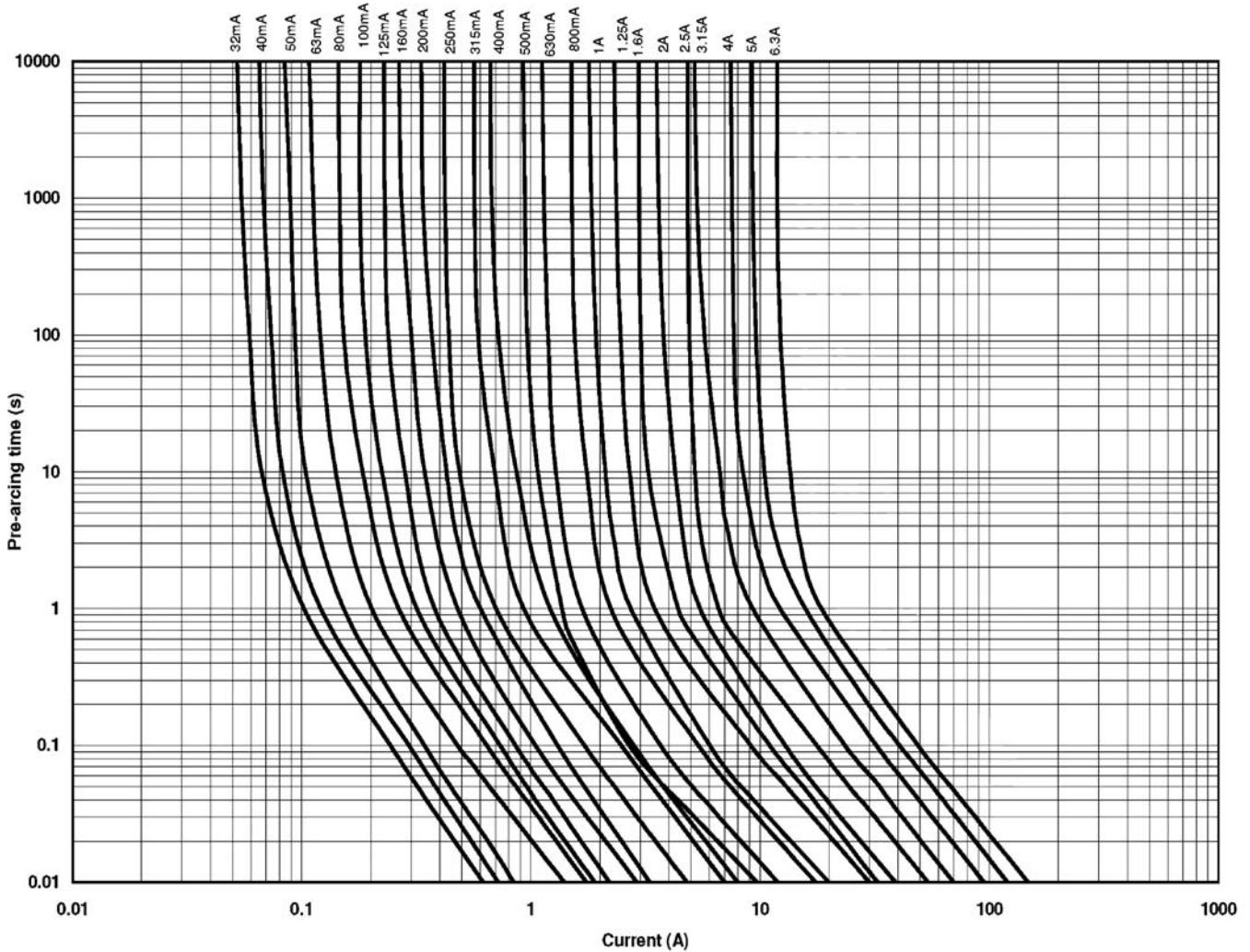


| Product Code | Voltage Rating Vac | Interrupting Rating (amps) at Rated Voltage (50Hz) Vac | Specifications                           |   |                            | Agency Approvals |     |          |
|--------------|--------------------|--|--|---|----------------------------|------------------|-----|----------|
|              |                    |  | Typical DC Cold Resistance ( $\Omega$ )* | Typical Melting I <sup>2</sup> t (amps) | Typical Voltage Drop (mV)‡ | cURus            | IMQ | MITI/JET |
|              |                    |  |  |   |                            |                  |     |          |
| GDC-32mA     | 250                | 35   | 21.0                                     | 0.0051                                  | 1050                       | X                | X   |          |
| GDC-40mA     | 250                | 35   | 13.90                                    | 0.0072                                  | 920                        | X                | X   |          |
| GDC-50mA     | 250                | 35   | 9.24                                     | 0.0095                                  | 800                        | X                | X   |          |
| GDC-63mA     | 250                | 35   | 6.96                                     | 0.021                                   | 760                        | X                | X   |          |
| GDC-80mA     | 250                | 35   | 4.42                                     | 0.038                                   | 580                        | X                | X   |          |
| GDC-100mA    | 250                | 35   | 2.80                                     | 0.045                                   | 490                        | X                | X   |          |
| GDC-125mA    | 250                | 35   | 1.97                                     | 0.063                                   | 390                        | X                | X   |          |
| GDC-160mA    | 250                | 35   | 1.27                                     | 0.093                                   | 320                        | X                | X   |          |
| GDC-200mA    | 250                | 35   | 1.00                                     | 0.114                                   | 340                        | X                | X   |          |
| GDC-250mA    | 250                | 35   | 0.640                                    | 0.265                                   | 270                        | X                | X   |          |
| GDC-315mA    | 250                | 35   | 0.450                                    | 0.621                                   | 250                        | X                | X   |          |
| GDC-400mA    | 250                | 35   | 0.31                                     | 0.872                                   | 210                        | X                | X   |          |
| GDC-500mA    | 250                | 35   | 0.183                                    | 0.827                                   | 140                        | X                | X   |          |
| GDC-630mA    | 250                | 35   | 0.186                                    | 1.33                                    | 150                        | X                | X   |          |
| GDC-800mA    | 250                | 35   | 0.129                                    | 2.78                                    | 75                         | X                | X   |          |
| GDC-1A       | 250                | 35   | 0.0757                                   | 6.45                                    | 87.5                       | X                | X   | X        |
| GDC-1.25A    | 250                | 35   | 0.060                                    | 10.05                                   | 86                         | X                | X   | X        |
| GDC-1.6A     | 250                | 35   | 0.0425                                   | 21.7                                    | 82                         | X                | X   | X        |
| GDC-2A       | 250                | 35   | 0.03325                                  | 31.6                                    | 77                         | X                | X   | X        |
| GDC-2.5A     | 250                | 35   | 0.0255                                   | 59.4                                    | 72.5                       | X                | X   | X        |
| GDC-3.15A    | 250                | 35   | 0.0185                                   | 96.4                                    | 68.5                       | X                | X   | X        |
| GDC-4A       | 250                | 40   | 0.0139                                   | 71.8                                    | 67                         | X                | X   | X        |
| GDC-5A       | 250                | 50   | 0.00985                                  | 142.5                                   | 60.5                       | X                | X   | X        |
| GDC-6.3A     | 250                | 63   | 0.0071                                   | 237.6                                   | 54                         | X                | X   | X        |

\* DC Cold Resistance (measured at <10% of rated current)

‡ Typical Voltage Drop (voltage drop was measured at 20°C ambient temperature at rated current)

# Nominal Time-Current Characteristics of GDC



## Packaging Code

| Packaging Code Suffix | Description   |
|-----------------------|---|
| BK                    | 100 fuses packed into a cardboard carton                          |
| BK1                   | 1,000 fuses packed into a poly bag                                |
| TR2                   | 1,500 fuses packed into tape on a reel (19.05mm lead wire length) |

## Option Code

| Option Code | Description   |
|-------------|---|
| V           | Axial leads - copper tinned wire with nickel plated brass endcaps |

The only controlled copy of this Data Sheet is the electronic read-only version located on the Cooper Bussmann Network Drive. All other copies of this document are by definition uncontrolled. This bulletin is intended to clearly present comprehensive product data and provide technical information that will help the end user with design applications. Cooper Bussmann reserves the right, without notice, to change design or construction of any products and to discontinue or limit distribution of any products. Cooper Bussmann also reserves the right to change or update, without notice, any technical information contained in this bulletin. Once a product has been selected, it should be tested by the user in all possible applications.

Life Support Policy: Cooper Bussmann does not authorize the use of any of its products for use in life support devices or systems without the express written approval of an officer of the Company. Life support systems are devices which support or sustain life, and whose failure to perform, when properly used in accordance with instructions for use provided in the labeling, can be reasonably expected to result in significant injury to the user.

## X-ON Electronics

Largest Supplier of Electrical and Electronic Components

*Click to view similar products for [eaton](#) manufacturer:*

Other Similar products are found below :

[BK-MDL-3-R](#) [BK1-S506-500-R](#) [BK1-S506-6-3-R](#) [BK1-S506-2-R](#) [MPI4040R4-1R5-R](#) [TDC600-10A](#) [89096-015](#) [8946K153](#) [8961K155](#)  
[M22-D-R-GB0/K11](#) [M22-L-R/R](#) [M22S-ST-GB12](#) [630NHG3B](#) [63ET](#) [6422](#) [6580](#) [CTX20-16-52LP-R](#) [CWL530FI](#) [CXM/CO/GP/R/BB](#)  
[6HD36](#) [714125](#) [MBO-2](#) [ESR5-NO-41-24VAC-DC](#) [7314K36](#) [7321K2](#) [F02A-1-1/2A](#) [F02A-1-1/2AS](#) [F02A-1AS](#) [F02A-2AS](#) [F02A-3/4A](#)  
[F03A250V12A](#) [F03B125V4A](#) [MCR-4](#) [MDA-2-8/10-R](#) [MDA-30A](#) [MDA-V-1/16](#) [F60C500V10AS](#) [F60C500V15AS](#) [7563K84](#) [7634K36](#)  
[MDQ-3/16](#) [MDQ-7/10](#) [MDQ-V-1/10](#) [MDQ-V-1-1/4](#) [MDQ-V-1/16](#) [MDQ-V-1/2](#) [MDQ-V-1/4](#) [MDQ-V-3/16](#) [MDQ-V-3/8](#) [MDQ-V-6/10](#)