


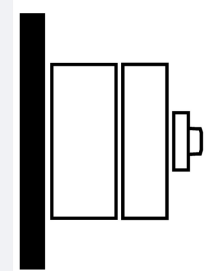
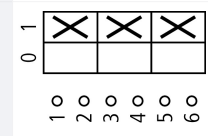




Part no.
Article no.

DMM-160/3/I5/P-G
172793

Delivery programme

| | | | | |
|--|-------|-----|---|--|
| Product range | | | | Main switch maintenance switch Repair switch |
| Part group reference | | | | DMM |
| Notes | | | | with grey knob in CI-K5 enclosure auxiliary contact fitted by user |
| Main circuits Poles  | | | | 3 |
| Auxiliary contacts | | | | |
|  | | N/O | 0 | |
|  | | N/C | 0 | |
| Locking facility | | | | 1 padlock, \varnothing 5 mm |
| Degree of Protection | | | | IP65 |
| Design | | | | surface mounting |
| | | | |  |
| Contact sequence | | | |  |
| Motor rating AC-23A, 50 - 60 Hz | | | | |
| 400 V | P | kW | | 75 |
| Rated uninterrupted current | I_u | A | | 160 |

General

| | | | | |
|---|-----------|------|----|--|
| Standards | | | | IEC/EN 60947, VDE 0660, IEC/EN 60204, Switch-disconnector according to IEC/EN 60947-3 |
| Certifications | | | | CE, RoHs, KEMA, GOST-R, Lloyds |
| Ambient temperature | | | °C | |
| Operation | θ | °C | | -25 - +60 |
| Storage | θ | °C | | -40 - +80 |
| Overvoltage category/pollution degree | | | | III/3 |
| Rated impulse withstand voltage | U_{imp} | V AC | | 6000 |
| Rated insulation voltage | U_i | V AC | | 1000 |
| Mounting position | | | | As required |
| Protection against direct contact when actuated from front (EN 50274) | | | | Finger and back-of-hand proof |

Contacts

| | | | |
|---|----------|-----------|--|
| Mechanical variables | | | |
| Main circuits Poles | | | 3 |
| Auxiliary contacts | | | |
| | | N/O | 0 |
| | | N/C | 0 |
| Electrical characteristics | | | |
| Rated operational voltage | U_e | V AC | 690 |
| Rated uninterrupted current | I_u | A | 160 |
| Note on rated uninterrupted current I_u | | | Rated uninterrupted current I_u is specified for max. cross-section. |
| Short-circuit rating | | | |
| fuse | | | 160 |
| Rated conditional short-circuit current | I_q | kA | 415 V: 30 690 V: 50 |
| Breaking current | | kA | 13.5 |
| max. let-through energy | | kA^2s | 86,9 |
| Rated short-time withstand current (1 s current) | I_{cw} | A_{rms} | 2500 |
| Note on rated short-time withstand current I_{cw} | | | Current for a time of 1 second |

Switching capacity

| | | | |
|---|------------|----|-------|
| Rated breaking capacity $\cos \varphi$ to IEC 60947-3 | | | |
| 400/415 V | | A | |
| | | A | 1080 |
| 500 V | | A | 528 |
| 690 V | | A | 336 |
| Safe isolation to EN 61140 | | | |
| Current heat loss per contact at I_e | | W | 7.4 |
| Lifespan, mechanical | Operations | | 10000 |
| AC | | | |
| AC-21A | | | |
| Rated operational current switch | | | |
| 400 V 415 V | I_e | A | 160 |
| 500 V | I_e | A | 160 |
| 690 V | I_e | A | 160 |
| AC-22A | | | |
| Rated operational current switch | | | |
| 400 V 415 V | I_e | A | 160 |
| 500 V | I_e | A | 160 |
| 690 V | I_e | A | 160 |
| AC-23A | | | |
| Rated operational current switch | | | |
| 400 V 415 V | I_e | A | 135 |
| 500 V | I_e | A | 66 |
| 690 V | I_e | A | 42 |
| Motor rating AC-23A, 50 - 60 Hz | | | |
| 400 V 415 V | P | kW | 75 |
| 500 V | P | kW | 45 |
| 690 V | P | kW | 37 |

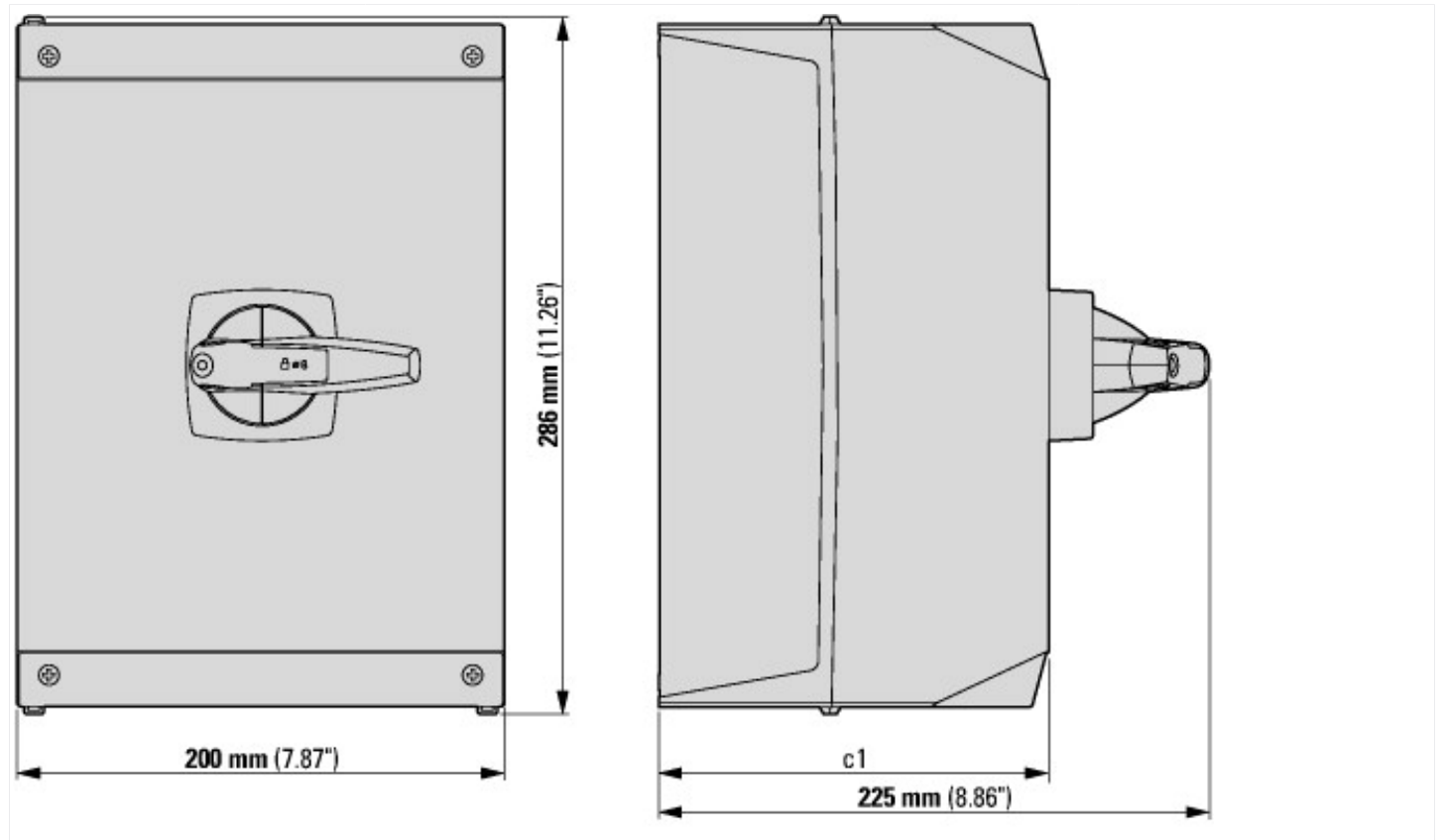
Terminal capacities

| | | | |
|--|--|--------|--------|
| Flexible with ferrules to DIN 46228 | | | |
| flexible | | mm^2 | 6 - 70 |
| Max. tightening torque | | Nm | 3.8 |

Technical safety parameters:

| | | | |
|--------------|--|--|---|
| Notes | | | B10 _d values as per EN ISO 13849-1, table C1 |
|--------------|--|--|---|

Dimensions



Additional product information (links)

IL008006Z Switch-disconnectors

| | |
|--|---|
| IL008006Z Switch-disconnectors | ftp://ftp.moeller.net/DOCUMENTATION/AWA_INSTRUCTIONS/IL008006ZU2014_02.pdf |
| Technical overview cam switch, switch-disconnector | http://de.ecat.moeller.net/flip-cat/?edition=HPLTEv1&startpage=4.2 |
| System overview cam switch T | http://de.ecat.moeller.net/flip-cat/?edition=HPLTEv1&startpage=4.4 |
| System overview switch-disconnector P | http://de.ecat.moeller.net/flip-cat/?edition=HPLTEv1&startpage=4.6 |
| Key to part numbers Cam switch | http://de.ecat.moeller.net/flip-cat/?edition=HPLTEv1&startpage=4.8 |
| Key to part numbers Switch-disconnector | http://de.ecat.moeller.net/flip-cat/?edition=HPLTEv1&startpage=4.8 |
| Switches for ATEX Zone 22 | http://www.coopercrouse-hinds.eu/en/products/10-ex-safety-and-main-current-switches.html |

X-ON Electronics

Largest Supplier of Electrical and Electronic Components

Click to view similar products for [eaton](#) manufacturer:

Other Similar products are found below :

[BK-MDL-3-R](#) [BK1-S506-500-R](#) [BK1-S506-6-3-R](#) [BK1-S506-2-R](#) [MPI4040R4-1R5-R](#) [TDC600-10A](#) [89096-015](#) [8946K153](#) [8961K155](#)
[M22-D-R-GB0/K11](#) [M22-L-R/R](#) [M22S-ST-GB12](#) [630NHG3B](#) [63ET](#) [6422](#) [6580](#) [CTX20-16-52LP-R](#) [CWL530FI](#) [CXM/CO/GP/R/BB](#)
[6HD36](#) [714125](#) [MBO-2](#) [ESR5-NO-41-24VAC-DC](#) [7314K36](#) [7321K2](#) [F02A-1-1/2A](#) [F02A-1-1/2AS](#) [F02A-1AS](#) [F02A-2AS](#) [F02A-3/4A](#)
[F03A250V12A](#) [F03B125V4A](#) [MCR-4](#) [MDA-2-8/10-R](#) [MDA-30A](#) [MDA-V-1/16](#) [F60C500V10AS](#) [F60C500V15AS](#) [7563K84](#) [7634K36](#)
[MDQ-3/16](#) [MDQ-7/10](#) [MDQ-V-1/10](#) [MDQ-V-1-1/4](#) [MDQ-V-1/16](#) [MDQ-V-1/2](#) [MDQ-V-1/4](#) [MDQ-V-3/16](#) [MDQ-V-3/8](#) [MDQ-V-6/10](#)