

Double Row Terminal Blocks

Kulka® 601/801 GP Series

300 Volts



Specifications:

- Base, General Purpose Phenolic, 150°C
- JJ (GDI-30F) Material Available
- Open Back Design (Insulator Strip Required for Voltage Rating)
- Screws, #6-32 Binder Head, Phil-Slot, Steel
- Terminals, Plated Brass
- 1-23 Poles
- 7/16" Centers
- Wire Range With Wire Binding Screw #12-#22 AWG – 20 Amps
- Will Accommodate Lugs For Wire Sizes #10-#16 AWG – 30 Amps
- The Suitability Of These Devices For Greater Currents Shall Be Determined In The End-Use Application
- 801 Series (Riveted KT's) – See page 96
- UL Recognized File No. XCFR2.E47811
- CSA Certified File No. LR19766
- CE

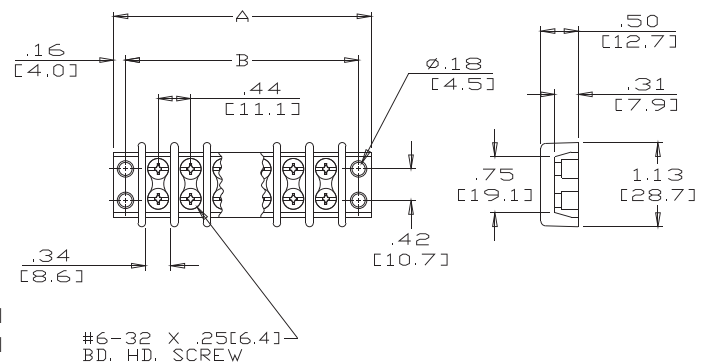
Catalog #	# of poles	Dimensions	
		A	B
601 GP 01	1	1.19	0.88
601 GP 02	2	1.62	1.31
601 GP 03	3	2.06	1.75
601 GP 04	4	2.50	2.19
601 GP 05	5	2.94	2.63
601 GP 06	6	3.37	3.06
601 GP 07	7	3.81	3.50
601 GP 08	8	4.25	3.94
601 GP 09	9	4.69	4.38
601 GP 10	10	5.12	4.81
601 GP 11	11	5.56	5.25
601 GP 12	12	6.00	5.69

Catalog #	# of poles	Dimensions	
		A	B
601 GP 13	13	6.44	6.13
601 GP 14	14	6.87	6.56
601 GP 15	15	7.31	7.00
601 GP 16	16	7.75	7.44
601 GP 17	17	8.19	7.88
601 GP 18	18	8.62	8.31
601 GP 19	19	9.06	8.75
601 GP 20	20	9.50	9.19
601 GP 21	21	9.94	9.63
601 GP 22	22	10.37	10.06
601 GP 23	23	10.81	10.50

Top Mounted Hardware is .250" Wide
MM = Dim X 25.4

Hardware Options: (Hardware options may affect ratings - consult factory)

KT37	=	Full Quick Connect (0° Flat)	See Page 96
KT38	=	Full Quick Connect (45° Bend)	See Page 96
KT39	=	Full Quick Connect (90° Bend)	See Page 96
ST	=	Full Solder	See Page 97
J 601	=	Line to Line Jumper	See Page 99
601 RJ(S)	=	Multiple Position Jumper	See Page 99
3/4 ST	=	Half Solder	See Page 97
KT43	=	Half Quick Connect (0° Flat)	See Page 96
KT44	=	Half Quick Connect (45° Bend)	See Page 96
KT45	=	Half Quick Connect (90° Bend)	See Page 96
3765	=	Wire Clamp Screw	See Page 99
Y	=	Feed Thru Solder (.422)	See Page 98
YSY	=	Feed Thru Solder (.687)	See Page 98
2102	=	Stud	See Page 101
2104	=	Feed Thru Solder	See Page 101
2108	=	Individual Screw Terminals	See Page 101
PSB	=	Phil-Slot Brass Screw	See Page 101



X-ON Electronics

Largest Supplier of Electrical and Electronic Components

Click to view similar products for [marathon manufacturer](#):

Other Similar products are found below :

[104](#) [599-GP-2004-10](#) [600-2004-3-SP](#) [600-GP-20](#) [600TS-10](#) [601-GP-2102-02](#) [601-GP-3/4ST-12](#) [601-GPYSY-03](#) [602-GPYSY-22](#) [603-2302-04](#) [603-JJ-04](#) [603-JJ-07](#) [604-JJ-06](#) [605-GP-03SLB](#) [605-JJ-02](#) [651-XPR-13](#) [670-3/4ST-9](#) [670A-GP-3000-18](#) [670A-GP-3000-25](#) [670A-GP-3000-27](#) [670A-GP-3/4ST-10](#) [670-GP-19](#) [CW205-01C](#) [671-RZ-25](#) [672-GPY-05](#) [672-RZ-24](#) [699-GP-2102-08](#) [699-GP-2120-12](#) [6F30A3S](#) [6H38-TSKK-C](#) [6R30A3SP](#) [F600A1B](#) [F600A3B](#) [F60A1B](#) [799-6-KT28](#) [799-7-KT28](#) [FPB33588](#) [8TBJ02](#) [R30A1B](#) [RF400A3B](#) [1321970](#) [1322970CH](#) [1320972](#) [1331955](#) [1332270](#) [1332554CH](#) [1333280CH](#) [1333575CH](#) [1353701](#) [1353701CH](#)