

# Double Row Terminal Blocks

## Kulka® 602/802 GP Series

### 300 Volts

#### Specifications:

- Base, General Purpose Phenolic, 150°C
- JJ (GDI-30F) Material Available
- Open Back Design (Insulator Strip Required for Voltage Rating)
- Screws, #8-32 Binder Head, Phil-Slot, Steel
- Terminals, Plated Brass
- 1-26 Poles
- 9/16" Centers
- Wire Range With Wire Binding Screw #12-#14 AWG – 30 Amps
- The Suitability Of These Devices For Greater Currents Shall Be Determined In The End-Use Application
- 802 Series (Riveted KT's) – See page 96
- UL Recognized File No. XCFR2.E47811
- CSA Certified File No. LR19766
- $\text{C}\text{C}$



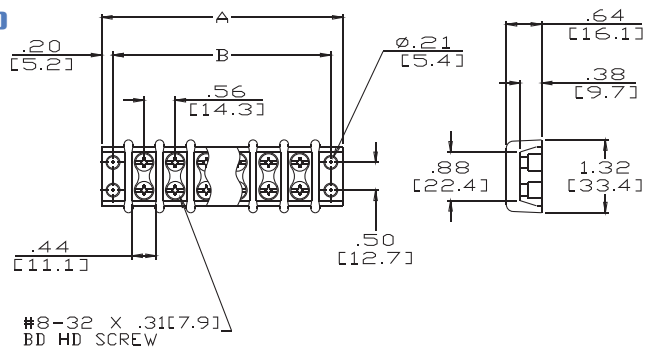
Catalog #	# of poles	Dimensions	
		A	B
602 GP 01	1	1.54	1.13
602 GP 02	2	2.10	1.69
602 GP 03	3	2.66	2.25
602 GP 04	4	3.22	2.81
602 GP 05	5	3.79	3.38
602 GP 06	6	4.35	3.94
602 GP 07	7	4.91	4.50
602 GP 08	8	5.47	5.06
602 GP 09	9	6.04	5.63
602 GP 10	10	6.60	6.19
602 GP 11	11	7.16	6.75
602 GP 12	12	7.72	7.31
602 GP 13	13	8.29	7.88

Catalog #	# of poles	Dimensions	
		A	B
602 GP 14	14	8.85	8.44
602 GP 15	15	9.41	9.00
602 GP 16	16	9.97	9.56
602 GP 17	17	10.54	10.13
602 GP 18	18	11.10	10.69
602 GP 19	19	11.66	11.25
602 GP 20	20	12.22	11.81
602 GP 21	21	12.79	12.38
602 GP 22	22	13.35	12.94
602 GP 23	23	13.91	13.50
602 GP 24	24	14.47	14.06
602 GP 25	25	15.04	14.63
602 GP 26	26	15.60	15.19

Top Mounted Hardware is .250" Wide  
MM = Dim X 25.4

#### Hardware Options: (Hardware options may affect ratings - consult factory)

KT55	=	Full Quick Connect (0° Flat)	See Page 96
KT56	=	Full Quick Connect (45° Bend)	See Page 96
KT57	=	Full Quick Connect (90° Bend)	See Page 96
ST	=	Full Solder	See Page 97
J602	=	Line to Line Jumper	See Page 99
3/4 ST	=	Half Solder	See Page 97
KT61	=	Half Quick Connect (0° Flat)	See Page 96
KT62	=	Half Quick Connect (45° Bend)	See Page 96
KT63	=	Half Quick Connect (90° Bend)	See Page 96
3786	=	Wire Clamp Screw	See Page 99
Y	=	Feed Thru Solder (.500)	See Page 98
YSY	=	Feed Thru Solder (.672)	See Page 98
Z	=	Lug Over the Side (.609)	See Page 98
2202	=	Stud	See Page 101
PSB	=	Phil-Slot Brass Screw	



## X-ON Electronics

Largest Supplier of Electrical and Electronic Components

*Click to view similar products for [marathon manufacturer](#):*

Other Similar products are found below :

[104](#) [599-GP-2004-10](#) [600-2004-3-SP](#) [600-GP-20](#) [600TS-10](#) [601-GP-2102-02](#) [601-GP-3/4ST-12](#) [601-GPYSY-03](#) [601-JJ-06](#) [602-GPYSY-22](#)  
[603-2302-04](#) [603-JJ-04](#) [603-JJ-07](#) [604-JJ-06](#) [605-GP-03SLB](#) [605-JJ-02](#) [651-XPR-13](#) [670-3/4ST-9](#) [670A-GP-3000-18](#) [670A-GP-3000-25](#)  
[670A-GP-3000-27](#) [670A-GP-3/4ST-10](#) [670-GP-19](#) [CW205-01C](#) [671-RZ-25](#) [672-GPY-05](#) [672-RZ-24](#) [699-GP-2102-08](#) [699-GP-2120-12](#)  
[6F30A3S](#) [6H38-TSKK-C](#) [6R30A3SP](#) [F600A1B](#) [F600A3B](#) [F60A1B](#) [799-6-KT28](#) [799-7-KT28](#) [FPB33588](#) [8TBJ02](#) [R30A1B](#) [RF400A3B](#)  
[1321970](#) [1322970CH](#) [1320972](#) [1331955](#) [1332270](#) [1332554CH](#) [1333280CH](#) [1333575CH](#) [1353701](#)