

THIS DRAWING IS UNPUBLISHED.
RELEASED FOR PUBLICATION
ALL RIGHTS RESERVED.

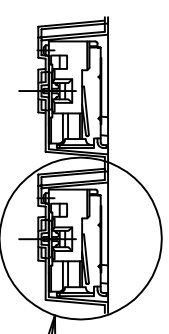
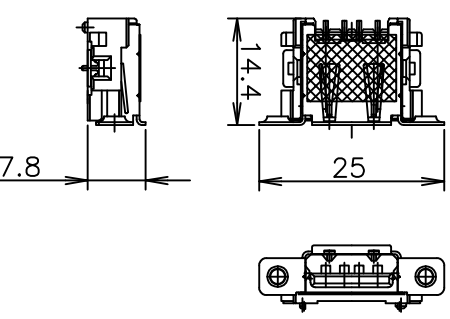
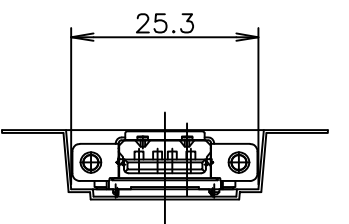
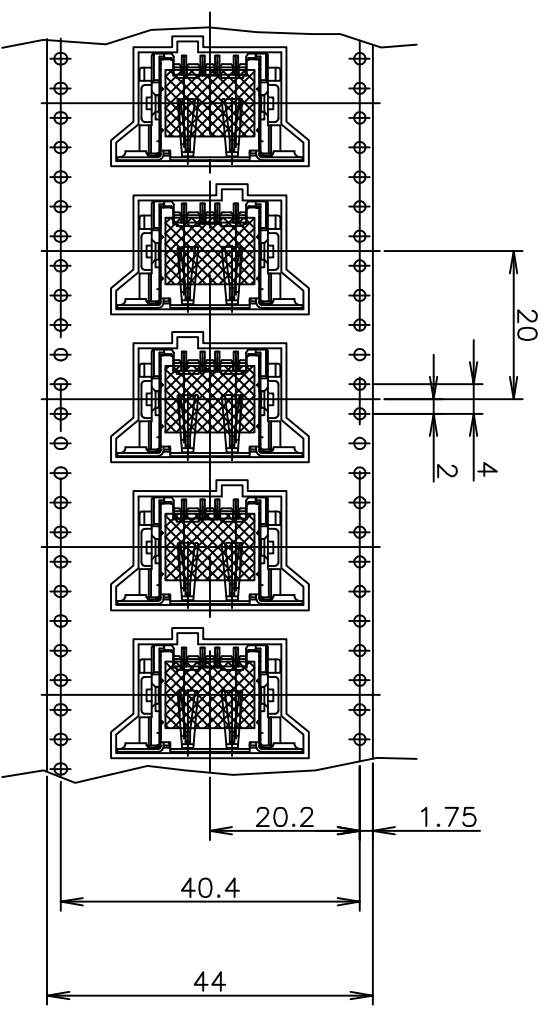
© COPYRIGHT BY TYCO ELECTRONICS CORPORATION.

Loc J
DIST -

REVISIONS

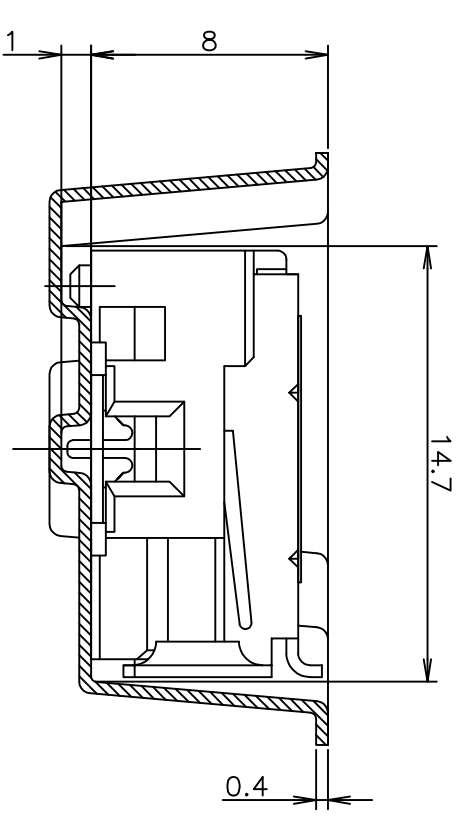
P	LTR	DESCRIPTION	DATE	DWN	APVD
A		RELEASED ECR-07-023898	09OCT07	T.Z	S.Y

DIRECTION OFF TOP OF REEL

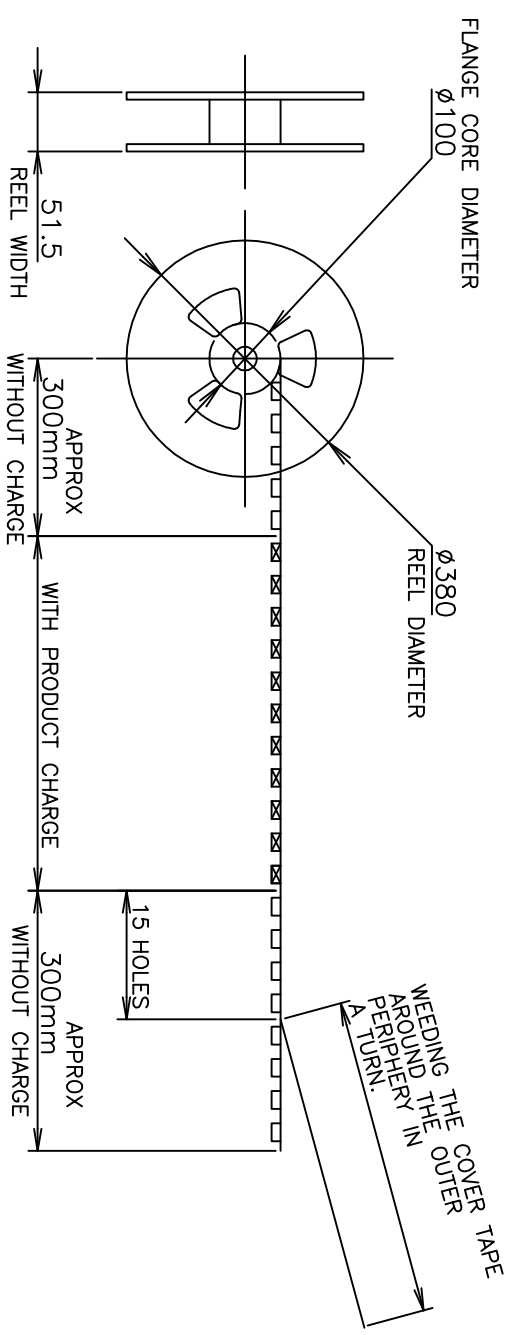


SEE DETAIL A

CONNECTOR DETAIL

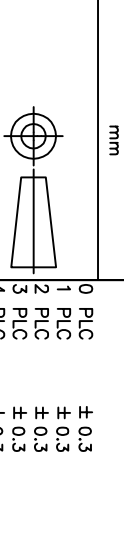


DETAIL A (SCALE 4:1)



THIS DRAWING IS A CONTROLLED DOCUMENT.

DIMENSIONS: mm



TOLERANCES UNLESS OTHERWISE SPECIFIED:
0 PLC ± 0.3
1 PLC ± 0.3
2 PLC ± 0.3
3 PLC ± 0.3
4 PLC ± 0.3
ANGLES ± 5°

BLACK	WHITE	HOUSING COLOR	QTY	POS	EMBOSS P/N	PART NO.
350	350		4	1-912070-8	5353928-2	
			4	1-912070-8	5353928-1	

DWN G. ZHANG 24MAR06
 CHK S. YAO 24MAR06
 APVD J. QU 24MAR06
 PRODUCT SPEC
 APPLICATION SPEC
 WEIGHT

NAME Tyco Electronics
 Tyco Electronics Kwasaki, Japan

EMBOSS ASSY
 REVERSE TYPE USB CONN. REC.
 WITH COVER TYPE

SIZE A3
 CAGE CODE 00779
 DRAWING NO. 5353928

CUSTOMER DRAWING
 SCALE 1:1
 SHEET 1 OF 2
 REV A

THIS DRAWING IS UNPUBLISHED. RELEASED FOR PUBLICATION. ALL RIGHTS RESERVED.

© COPYRIGHT BY TYCO ELECTRONICS CORPORATION.

LOC DIST

J -

REVISIONS

DESCRIPTION

DATE

DMN

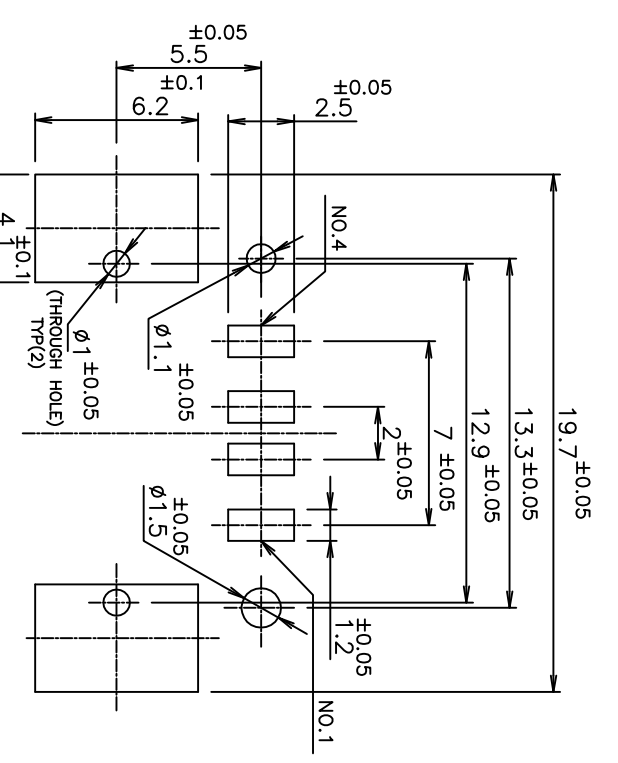
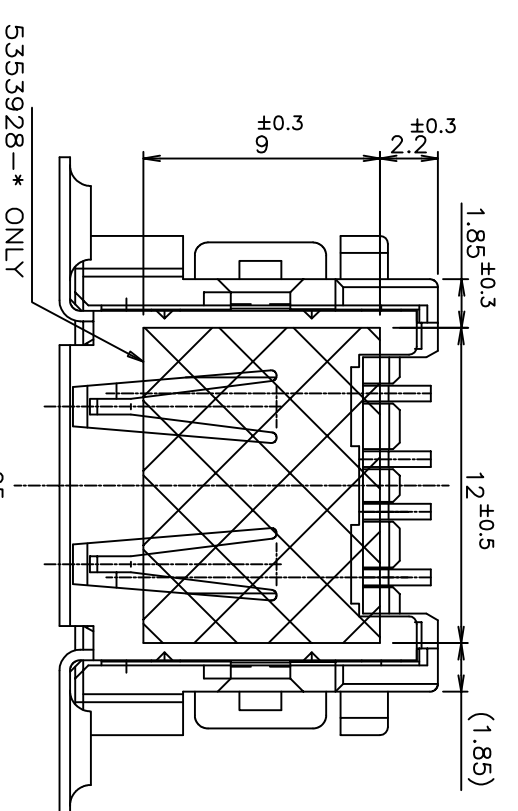
APVD

P LTR

-

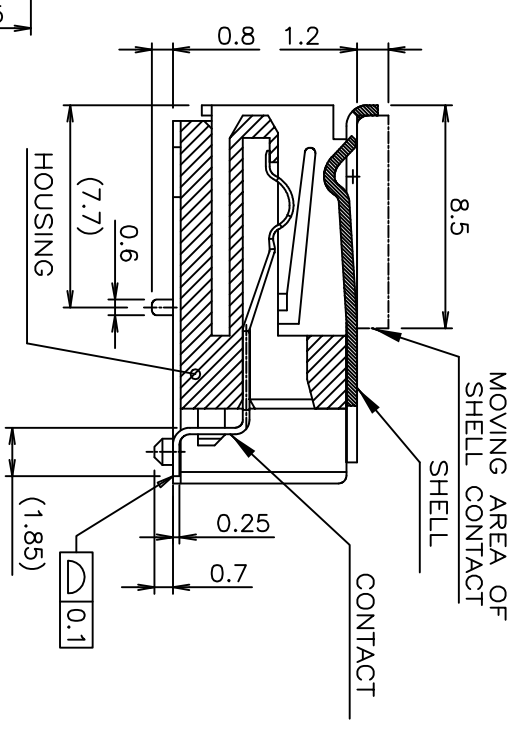
SEE SHEET 1

-

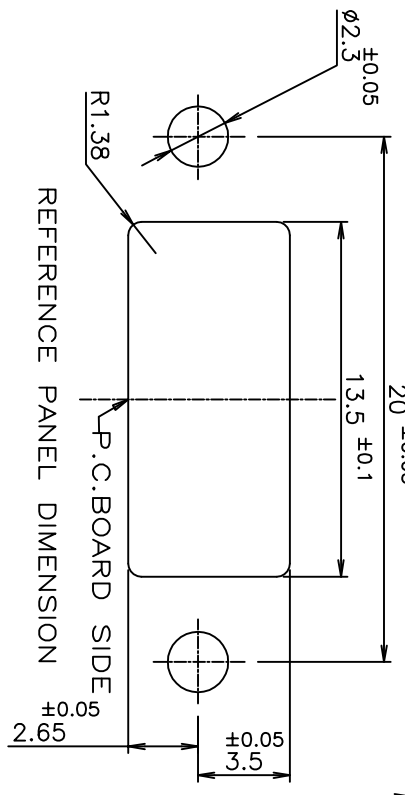


REFERENCE DIMENSION OF P.C. BOARD (MOUNTING SIDE)

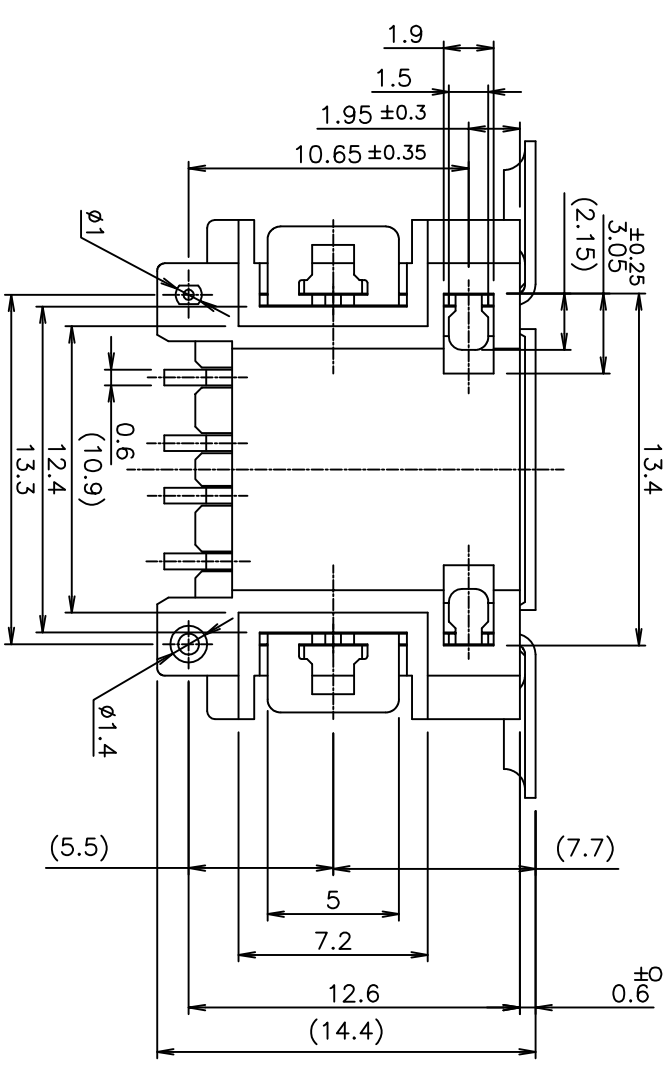
△ MATERIAL & FINISH
 CONTACT: COPPER ALLOY
 Au PL. ON Pd-Ni PL. AT CONTACT AREA OVER Ni PL.
 TIN PL. AT TINE AREA OVER Ni PL.
 THERMO-PLASTICS, UL-94V-0
 HOUSING: COPPER ALLOY, TIN PL.
 SHELL :



SECTION A-A



REFERENCE PANEL DIMENSION



THIS DRAWING IS A CONTROLLED DOCUMENT.

DIMENSIONS: mm

TOLERANCES UNLESS OTHERWISE SPECIFIED:

0 PLC	± 0.3
1 PLC	± 0.3
2 PLC	± 0.3
3 PLC	± 0.3
4 PLC	± 0.3
ANGLES	± 5°

MATERIAL FINISH

DMN G. ZHANG

CHK S. YAO

APVD J. QU

PRODUCT SPEC

APPLICATION SPEC

WEIGHT

24MAR06 24MAR06 24MAR06

NAME Tyco Electronics Kawasaki, Japan

REVERSE TYPE USB CONN. REC. WITH COVER TYPE

EMBOSS ASSY

BLACK WITH TAPE 5353928-2

WHITE WITH TAPE 5353928-1

HOUSING COLOR REMARKS PART NO.

SIZE A3 CAGE CODE 00779 DRAWING NO. 5353928

CUSTOMER DRAWING SCALE 1:1 SHEET 2 OF 2 REV A

X-ON Electronics

Largest Supplier of Electrical and Electronic Components

Click to view similar products for [USB Connectors](#) category:

Click to view products by [TE Connectivity](#) manufacturer:

Other Similar products are found below :

[10033527-N3112MLF](#) [17-210561](#) [GMCB05B11124H1EU](#) [17-200931](#) [65-647-8-BK-BU](#) [690-010-295-484](#) [73725-1191BLF](#) [950](#) [E8144-B01021-L](#) [A-USB A-LP-SMT-C](#) [A-USB B-TOP-C](#) [MUSBA511N5](#) [MUSBB15131](#) [MUSBC111M5](#) [MUSBD11135](#) [217450-1](#) [CA 6 W LD](#) [896-30-004-00-000000](#) [KUSBVX-BS1N-W30](#) [KUSBX-AP-KIT-SCBLK](#) [KUSBX-AS2N-W](#) [KUSBX-SMT2AP1S-W](#) [KUSBX-SMTBS1NBTR](#) [30-498-6](#) [SK-60A-2](#) [17-200261](#) [17-210051](#) [1734082-1](#) [FK-37-32SL](#) [30-1574](#) [30-470](#) [30-489](#) [30-572-3](#) [30-9503](#) [M9177/2-1](#) [MAB 5 S](#) [MIKROE-1451](#) [33UBBR-04SW11R](#) [USBFTV2PEM2G](#) [USBFTVC6ZN](#) [USBFTVSCCG](#) [KUSBX-AS2N-W30](#) [KUSBX-SLAS1N-W](#) [KUSBX-SLAS1N-W30](#) [1-1734084-2](#) [E8110-001-01](#) [MUSBC11135](#) [33UBAR-04SW11](#) [USBF21ZNSCC](#) [USBBFTV6ZC](#)