

# Single Row Terminal Blocks

## Kulka® 699/899 GP Series

### 300 Volts AC/DC (Class B)

699 Series only

### 150 Volts AC/DC (Class C)

699 and 899 Series



699 GP 06



899 Series

### Specifications:

- Base, Phenolic, 150°C (UL RTI)
- Open Back Design (Insulator Strip Required for Voltage Rating - see page 112)
- JJ (GDI-30F) Material Available
- Screws, #6-32 Binder Head, Phil-Slot, Steel
- Terminals, Plated Brass
- 1-23 Poles
- 7/16" Centers
- Wire Range With Wire Binding Screw #14 - #16 AWG – 20 Amps
- 899 Series (Riveted KTs) - shown at right, see page 104 for KTs
- UL Recognized File No. XCFR2.E47811
- CSA Certified File No. LR19766
- CE
- RoHS Compliant

Kulka® Catalog #	# of poles	Dimensions	
		A	B
699 GP 01	1	1.19	0.88
699 GP 02	2	1.63	1.31
699 GP 03	3	2.06	1.75
699 GP 04	4	2.50	2.19
699 GP 05	5	2.94	2.63
699 GP 06	6	3.38	3.06
699 GP 07	7	3.81	3.50
699 GP 08	8	4.25	3.94
699 GP 09	9	4.69	4.38
699 GP 10	10	5.12	4.81
699 GP 11	11	5.56	5.25
699 GP 12	12	6.00	5.69
699 GP 13	13	6.44	6.13
699 GP 14	14	6.87	6.56
699 GP 15	15	7.31	7.00
699 GP 16	16	7.75	7.44
699 GP 17	17	8.19	7.88
699 GP 18	18	8.62	8.31
699 GP 19	19	9.06	8.75
699 GP 20	20	9.50	9.19
699 GP 21	21	9.94	9.63
699 GP 22	22	10.37	10.06
699 GP 23	23	10.81	10.50

mm = dim X 25.4

For electronic drawings or 2D/3D CAD data, submit request at [www.marathonsp.com/drawings.html](http://www.marathonsp.com/drawings.html)

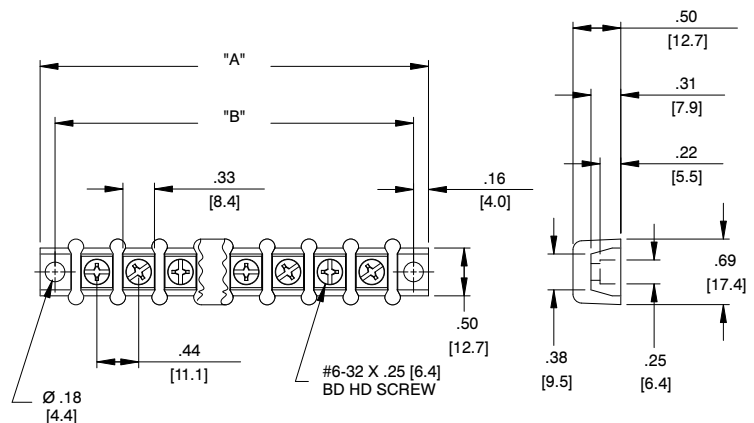
### Hardware Options:

(Hardware options may affect ratings - consult Customer Service)

CATALOG #	PRODUCT DESCRIPTION	PAGE REFERENCE
MSP KT46	Full Quick Connect (0° Flat)	See page 104
MSP KT47	Full Quick Connect (45° Bend)	See page 104
MSP KT48	Full Quick Connect (90° Bend)	See page 104
MSP KT52	Half Quick Connect (0° Flat)	See page 104
MSP KT53	Half Quick Connect (45° Bend)	See page 104
MSP KT54	Half Quick Connect (90° Bend)	See page 104
MSP 3/4 ST	Half Solder	See page 106
MSP Z	Lug over the Side (.437)	Consult C/S
MSP J 601	Line to Line Jumper	See page 107
MSP 601 RJ(S)	Multiple Position Jumper	See page 107
MSP 2102	Stud	See page 109
MSP 2104	Feed Thru Solder	See page 109
MSP 2120	Solder Pin	See page 109
MSP 2121	Solder Pin	See page 109
MSP PSB	Phil-Slot Brass Screw	Consult C/S

Quick Connects: .032" x .250"

See pages 104-115 for terminal block accessories



## X-ON Electronics

Largest Supplier of Electrical and Electronic Components

*Click to view similar products for [Marathon manufacturer](#):*

Other Similar products are found below :

[104](#) [600AGP04PSB](#) [599GP200402PSB](#) [670A GP 03](#) [601RJ 06](#) [985GP02](#) [599-GP-2004-10](#) [600-2004-3-SP](#) [600-GP-20](#) [600TS-10](#) [601-GP-2102-02](#) [601-GP-3/4ST-12](#) [601-GPYSY-03](#) [602-GPYSY-22](#) [603-2302-04](#) [603-JJ-04](#) [603-JJ-07](#) [604-JJ-06](#) [605-GP-03SLB](#) [605-JJ-02](#) [651-XPR-13](#) [670-3/4ST-9](#) [670A-GP-3000-18](#) [670A-GP-3000-25](#) [670A-GP-3000-27](#) [670A-GP-3/4ST-10](#) [CW205-01C](#) [671-RZ-25](#) [672-GPY-05](#) [699-GP-2102-08](#) [6F30A3S](#) [6H38-TSKK-C](#) [6R30A3SP](#) [F600A1B](#) [F600A3B](#) [F60A1B](#) [799-6-KT28](#) [799-7-KT28](#) [FPB33588](#) [R30A1B](#) [RF400A3B](#) [1321970](#) [1322970CH](#) [1320972](#) [1331955](#) [1332270](#) [1332360](#) [1332554CH](#) [1333280CH](#) [1333575CH](#)