

**Type YP Series**

**Type YP Series**



The YP series resistors are coated with multilayer silicone to give an excellent protection to the resistance wire at temperatures from -55°C to 350°C. The terminals are designed for quick and easy mounting on capacitors and have a mounting pitch of 22.2 and 31.8 mm. These are wirewound ceramic core resistors designed for voltage balancing of series connected aluminium electrolytic capacitors. These resistors are also suitable for capacitor voltage discharge safety applications in high voltage circuits. Ideally suited for industrial grade capacitors.

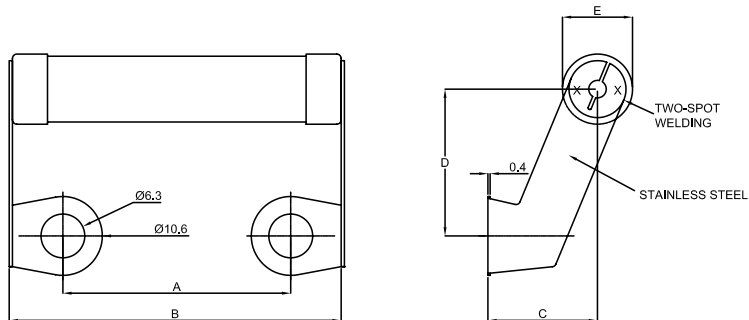
**Key Features**

- Flameproof Silicone Coating
- Stainless Steel Mounting Terminals for Direct Mounting on Capacitors
- Premium Quality Resistive Wires
- Attractively Priced
- Custom Designs Possible
- Innovative Design

**Characteristics - Electrical**

<b>Resistance Values:</b>	2K, 10K, 18K, 27K, 47K. Other values on request and to order
<b>Resistance Tolerance:</b>	±5%
<b>Temperature Coefficient:</b>	±30 ppm/°C (typ.), ±100 ppm/°C (maximum)
<b>Maximum Voltage:</b>	825V dc or ac(rms) for YP10, 570V for YP8
<b>Derating:</b>	Derated linearly to zero at 350°C
<b>Power Rating:</b>	10W @ 70°C for YP10 and 8W @ 70°C for YP8
<b>Stability:</b>	70°C, 1000hr - R/R @ 100% load <±5%
<b>Standard:</b>	Performance as per BS - CECC 40201-002
<b>Marking:</b>	Type, Resistance value, Tolerance

**Dimensions**



	Dimensions				
	A ±1mm	B max.	C ±1mm	D ±1mm	E ±1mm
<b>YP8</b>	22.2	40	15	21	9.5
<b>YP10</b>	31.8	50	15	21	9.5

**How to Order**

YP	8	18K	J
<b>Common Part</b>	<b>Power Rating</b>	<b>Resistance Value</b>	<b>Tolerance</b>
YP - Capacitor Discharge Resistor	8 - 8 Watts 10 - 10 Watts	2K (2000 ohms) 2K0 10K (10000 ohms) 10K 18K (18000 ohms) 18K 27K (27000 ohms) 27K 47K (47000 ohms) 47K	J - ±5% K - ±10%

## X-ON Electronics

Largest Supplier of Electrical and Electronic Components

*Click to view similar products for [Wirewound Resistors - Chassis Mount](#) category:*

*Click to view products by [TE Connectivity](#) manufacturer:*

Other Similar products are found below :

[HD300HLR71J](#) [VK100NA-50](#) [40/70MJ2K00BE](#) [L75J1K0E](#) [VK100NA250](#) [L100J150E-MT1](#) [L50J500E-MT1](#) [SL130J100K-12](#)  
[HSC1004R0F](#) [F30J20R](#) [HSC1008R0F](#) [HSX25R22J](#) [L100J40K](#) [CL65J10R](#) [HSW600 47R J](#) [HSW600 1R J](#) [L12NJ20R](#) [75342-400](#) [HSW600](#)  
[22R J](#) [VRH320 1K K](#) [VRH320 100R K](#) [968.15 110M C E](#) [HSW600 4R7 J](#) [40/70MJ230R0HE](#) [L25J500E-MT1](#) [1-2176247-6](#) [1-2176248-5](#) [2-](#)  
[2176248-0](#) [1-2176249-3](#) [C1500K12R](#) [FST02515E50R00KEE3](#) [AG5NFR68E](#) [AG12NFR68E](#) [AG12NFR47E](#) [AG12NFR56E](#) [AG12NFR33E](#)  
[CL25J39R](#) [AG12NFR22E](#) [850J220E](#) [AG12NFR10E](#) [CL225J30K](#) [810F7R7E](#) [LN100J75RE](#) [D50K100-B](#) [L225J6K0E](#) [21025K538-5R0KE](#)  
[LN80J30R](#) [C300KR75E](#) [D50K25R-B](#) [LN80J14R](#)