

**Product number** C11347_REGINA

Family	Regina	FWHM	10 degrees
Type	Reflector	Efficiency	86 %
LED	XP-G	cd/lm	(simulated) 0.000
Color	Metal	Gerber File	Available
Diameter	19 mm		
Height	15.3 mm		
Style	Round		
Optic Material	PC		
Holder Material	-		
Fastening	Pin, glue		
Status	On production		

NOTE: The typical divergence will be changed by different color, chip size and chip position tolerance. The typical total divergence is the full angle measured where the luminous intensity is half of the peak value.



PRODUCT DATASHEET

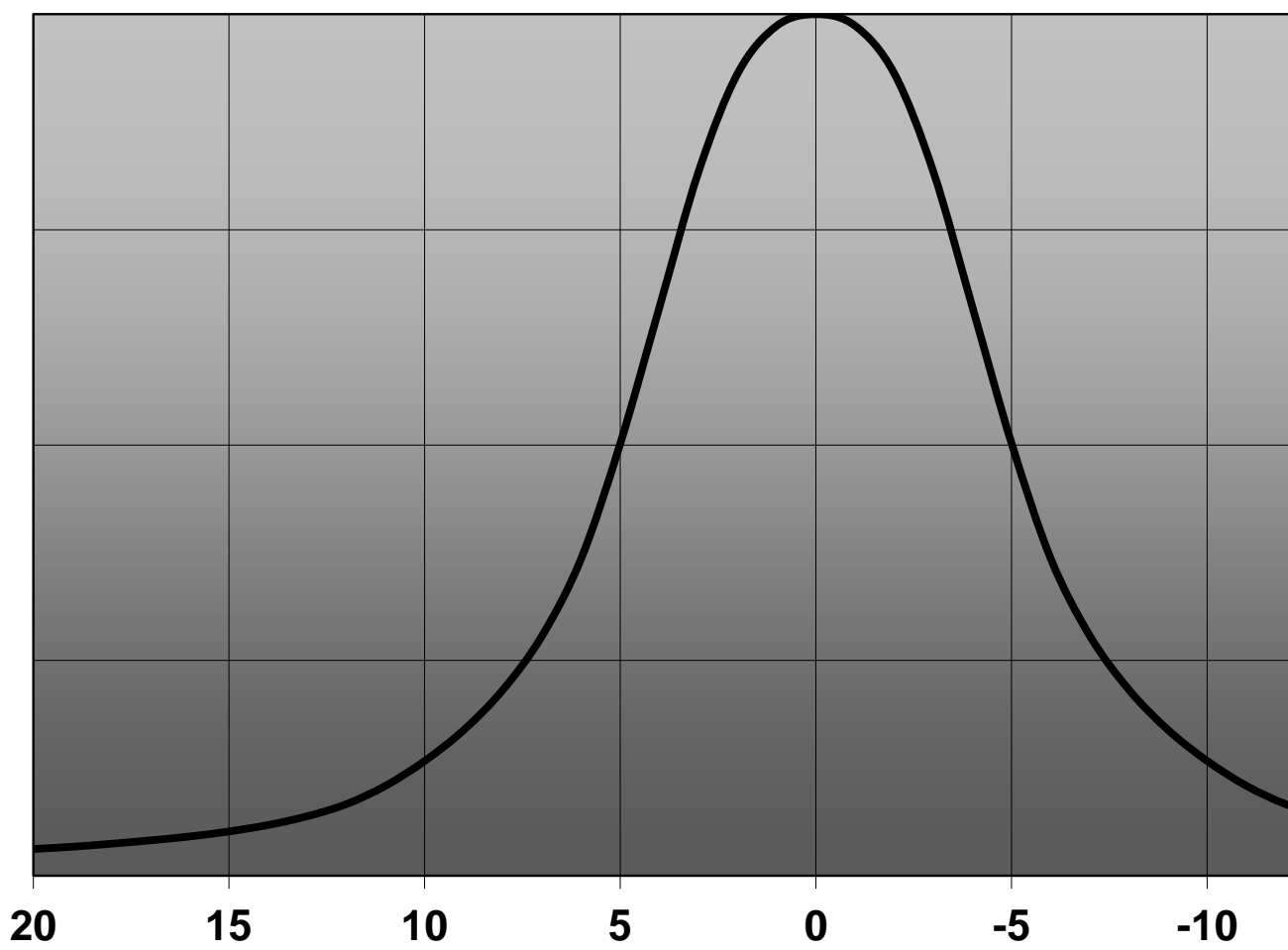
Regina series

last update 26/6/2013

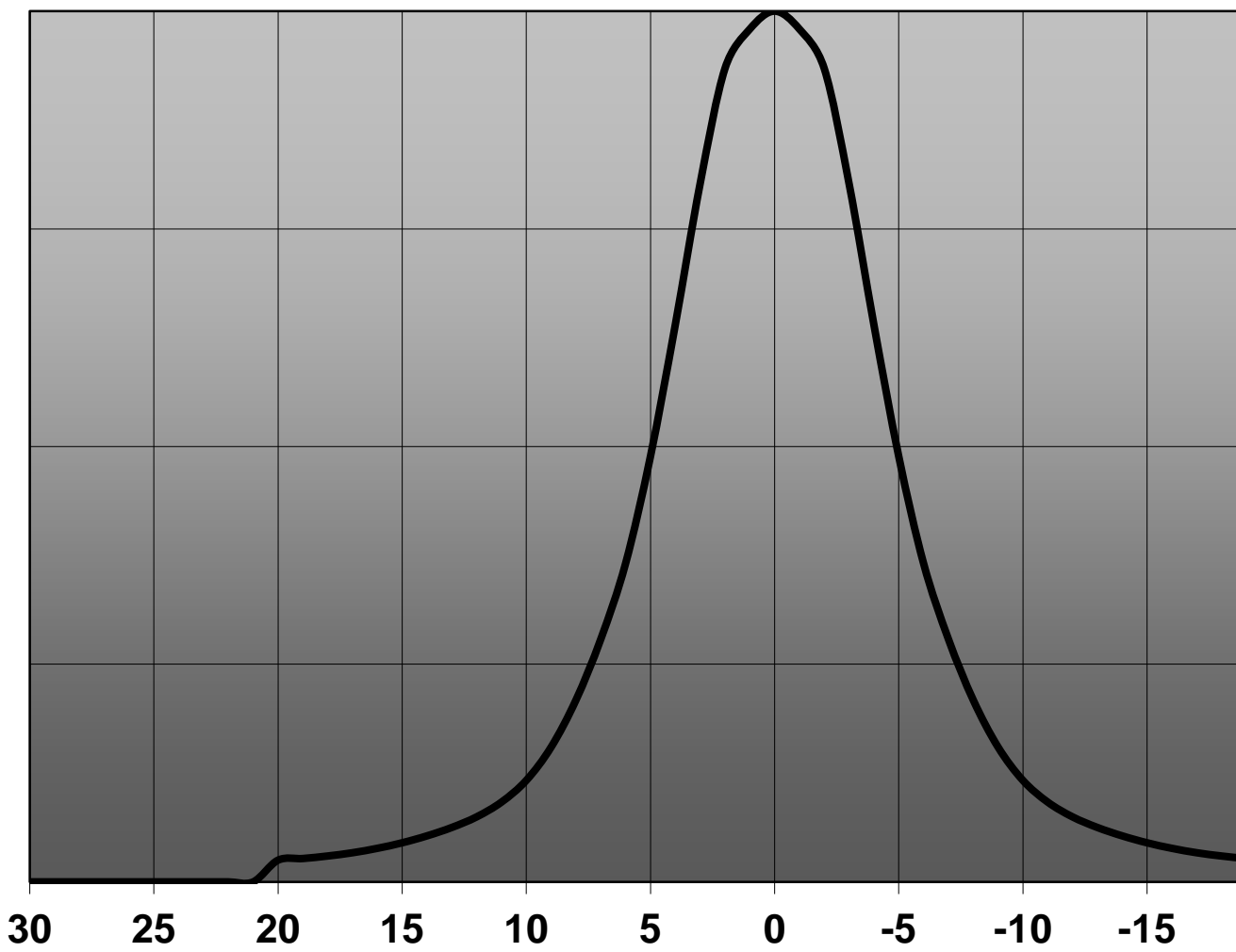
GENERAL INFORMATION

- Product series especially designed & optimized for XP-G series of LEDs.
- Special care taken to make light distribution as uniform as possible.
- Reflector is made of aluminium coated PC (120 degrees of Celcius / 248 degrees of Fahrenheit) with protective lacquer (short term 100 degrees of Celcius / 212 degrees of Fahrenheit).

Relative intensity of C11347_Regina-RE-ES



Relative Intensity of C11347_Regina-XF

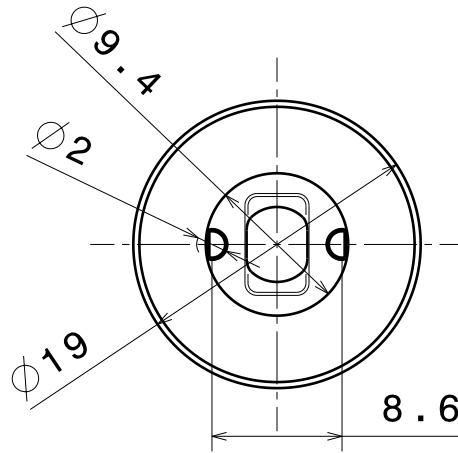


D C B A

4

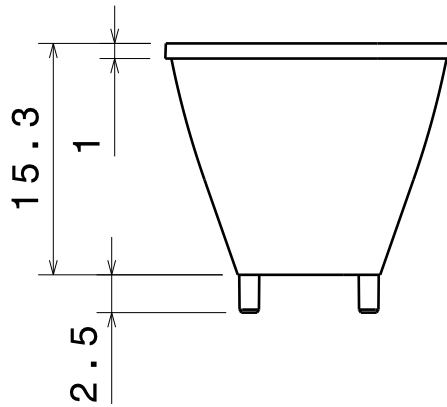


Isometric view
Scale: 1:1



Bottom view

3



Front view

2

Material: PC
with metal coating
and clear lacquer

4

3

2

This drawing is our property.
It can't be reproduced
or communicated without
our written agreement.



Ledil Oy
Tehdaskatu 13
FIN-24100 SALO
Finland

DRAWING TITLE

Datasheet Regina Reflector

DRAWN BY

pv

DATE

21.12.2009

CHECKED BY

hh

DATE

14.12.2009

SIZE

A4

DRAWING NUMBER

C11347

REV

1

DESIGNED BY

pv

DATE

19.11.2009

SCALE

2:1

WEIGHT (g)

SHEET

1/1

1

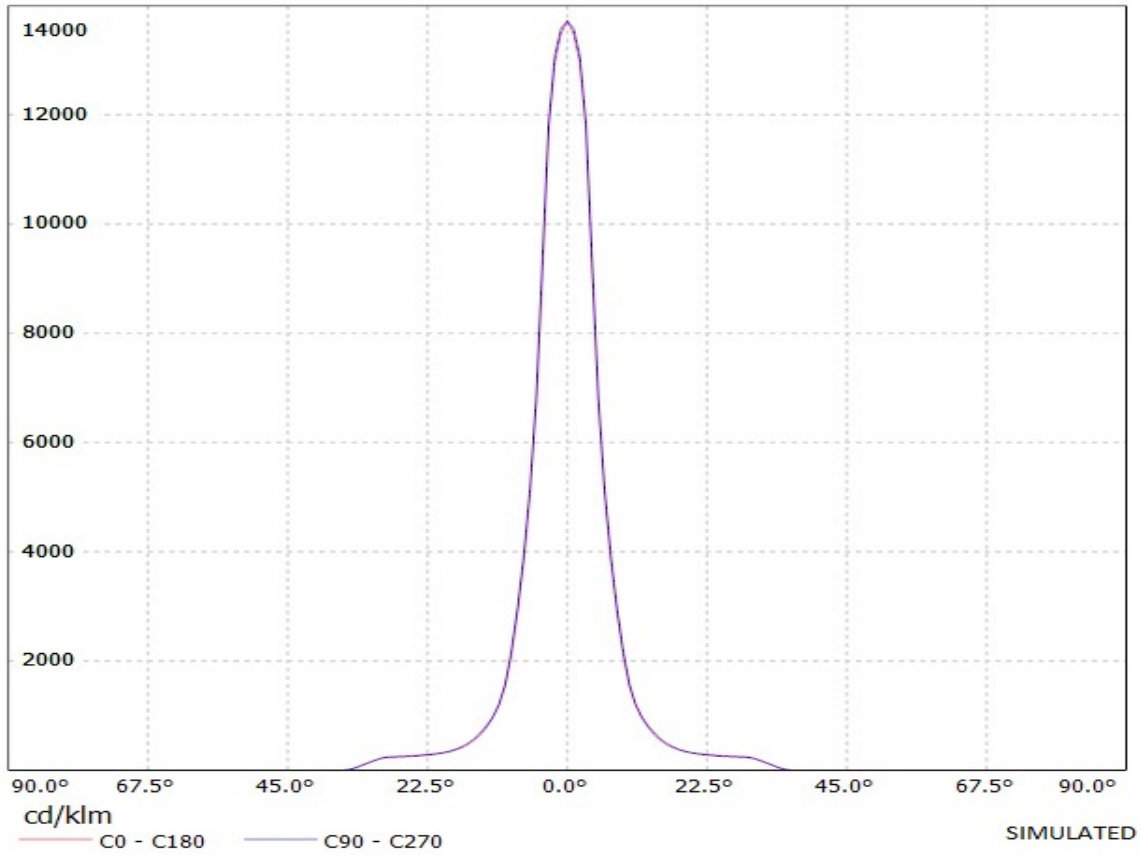
1

D

A

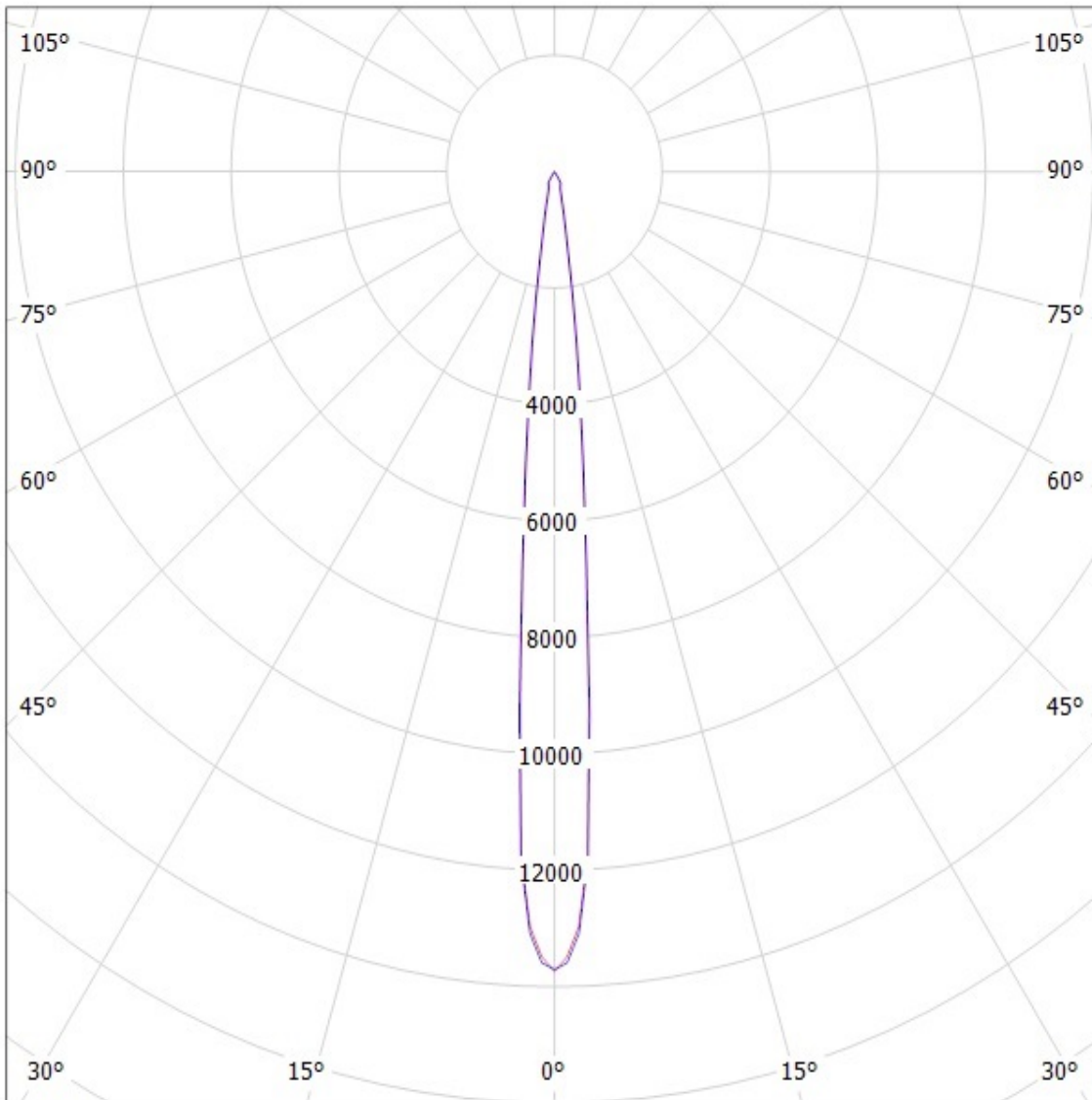
Ledil Oy C11347_Regina-XP-G C11347_Regina-XP-G / LDC (Linear)

Luminaire: Ledil Oy C11347_Regina-XP-G C11347_Regina-XP-G
Lamps: 1 x Cree XP-G (White)



Ledil Oy C11347_Regina-XP-G C11347_Regina-XP-G / LDC (Polar)

Luminaire: Ledil Oy C11347_Regina-XP-G C11347_Regina-XP-G
Lamps: 1 x Cree XP-G (White)



cd/klm

— C0 - C180 — C90 - C270

SIMULATED

X-ON Electronics

Largest Supplier of Electrical and Electronic Components

Click to view similar products for [ledil](#) manufacturer:

Other Similar products are found below :

[FCN10804_LR1-RS](#) [C12084_BROOKE-SCR-W](#) [C13405_SANDRA-12-M](#) [C13499_STRADA-2X2-CY](#) [C14346_ANGELETTE-WAS](#)
[CA10927_STRADA-B](#) [CA11253_STRADA-C2](#) [CA11355_LAURA-M](#) [CA11525_LAURA-R-W](#) [CA11643_LAURA-SS](#) [C14165_STRADA-](#)
[2X2-ME-WIDE2](#) [CA10716_BOOM-S](#) [CA11819_STRADA-SQ-T-DW](#) [FA10679_CMC-RS](#) [C12449_STRADA-T-6X1-DWC](#) [C10909_EVA-](#)
[WW](#) [CA10930_BOOM-M](#) [CA11052_TINA2-O](#) [CA11663_HEIDI-RS](#) [C11716_ANNA-40-7-S](#) [C12692_LENA-STD-BASE-CLL040](#)
[C13233_HB-2X2-M](#) [C15801_MOLLY-M](#) [CA10931_BOOM-W](#) [CA11264_HEIDI-D](#) [CA11426_STRADA-T-DW](#) [CN12646_LENINA-W](#)
[CS14597_HB-IP-2X6-O](#) [CN12644_LENINA-S](#) [CS14840_HB-2X2MX-M](#) [CS14895_HB-IP-2X6-RS](#) [C15431_STRADELLA-16-HB-M](#)
[C16156_STRADELLA-16-HB-O](#) [C16220_STRADELLA-16-T1-A](#) [F14533_ANGELETTE-M](#) [CA14505_G2-LXP2-RS2-P](#) [CA12402_TINA2-](#)
[W](#) [C16585_DAISSY-28X1-SHD](#) [C16588_DAISSY-4X1-W](#) [C16783_DAISSY-28X1-SHD-WHT](#) [C17171_DAISSY-8X1-SHD-MATT](#)
[FN17294_VIOLET-12X1-S](#) [C16959_STRADELLA-16-SCL](#) [FA11207_TINA-W](#) [C13085_MIRELLA-50-S-PF](#) [C17341_DAISSY-4X1-WW-](#)
[US-D](#) [C14275_SHELLY-T-6X1-N](#) [CA13013_SIRI-DOME](#) [C13032_BARBARA-WW](#) [C12608_VIRPI-M](#)