

Type: **P1-25/V/SVB**
 Article No.: **055335**
 Sales text **Circuit Interruptor P1-25 (UK)**



Ordering information

			BME-CAT Fotos
Produktgruppen-Bezeichnung			T rotary switches, P switch-disconnectors, technical data
			Load current switches
			Main switches, maintenance switches
Design			Rear mounting
Basic type for ... insert mounting form			P1-25/...
Mounting form			V/SVB
No. of poles		M	3
Description			As Emergency-Stop device

General

Standards			IEC/EN 60 947, VDE 0660, IEC/EN 60 204, CSA,UL Switch-disconnectors to IEC/EN 60 947-3 NEMA3R, NEMA12
Lifespan, mechanical	Operations	$\times 10^6$	0,3
Maximum operating frequency	Operations/h		50
Climatic proofing			Damp heat, constant, to IEC

			60068–2–78; Damp heat, cyclical, to IEC 60068–2–30
Ambient temperature			
Open		°C	–25...50
Enclosed		°C	–25...40
Mounting position			As required
Mechanical shock resistance to IEC 60068–2–27	Half-sinusoidal shock 20 ms	g	> 15

Contacts

Rated operational voltage	U_e	V AC	690
Rated impulse withstand voltage	U_{imp}	V AC	6000
Overtoltage category/pollution degree			III/3
Rated uninterrupted current			
open	I_u	A	25
Enclosed	I_u	A	25
Load rating with intermittent operation, class 12			
AB 25 % DF		$\times I_e$	2
AB 40 % DF		$\times I_e$	1,6
AB 60 % DF		$\times I_e$	1,3
Short-circuit rating			
Fuse		A gG/gL	25
Rated short-time withstand current (1 s current)	I_{cw}	A_{rms}	640
Switching angles		°	90
Current heat loss per contact at I_e		W	1,1

Terminal capacities

Solid or stranded		mm ²	1 × (1.5 – 6) 2 × (1.5 – 6)
Flexible with ferrule to DIN 46228		mm ²	1 × (1 – 4) 2 × (1 – 4)
Terminal screw			M4
Tightening torque		Nm	1.6

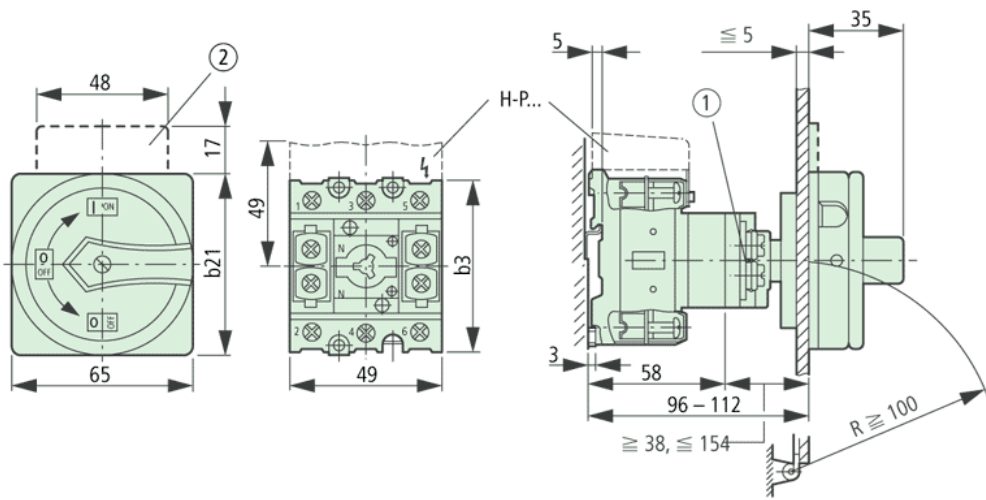
Switching capacity

AC			
Rated making capacity $\cos \phi = 0.35$		A	240
Rated breaking capacity, motor load switch $\cos \phi = 0.35$			

230 V		A	190
400 V		A	150
500 V		A	170
690 V		A	150
Rated operational current 440 V load-break switch AC-21A	I_e	A	25
AC-3 motor load switch motor rating			
230 V	P	kW	5,5
400 V	P	kW	7,5
500 V	P	kW	7,5
690 V	P	kW	7,5
AC-23A Motor load switches (main switches maintenance switches)			
230 V	P	kW	7
400 V	P	kW	13
500 V	P	kW	11
690 V	P	kW	11
DC			
DC-1, Load-break switches L/R = 1 ms			
Rated operational current	I_e	A	25
Voltage per contact pair in series		V	60
DC-23A, motor load switch L/R = 15 ms			
24 V			
Rated operational current	I_e	A	25
Contacts		Quantity	1
48 V			
Rated operational current	I_e	A	25
Contacts		Quantity	2
60 V			
Rated operational current	I_e	A	25
Contacts		Quantity	3
120 V			
Rated operational current	I_e	A	12
Contacts		Quantity	3
Notes			
Notes			

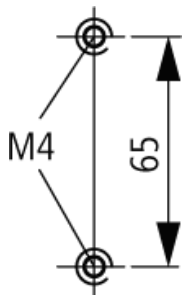
Main switch characteristics to IEC/EN 60204; positive opening of contacts, operator element positively located on shaft
 The rated uninterrupted current I_u is stated at max. connected cross-section.
 For terminal capacity solid, stranded and flexible:
 Max. 2 cross-section sizes difference admissible when using 2 conductors.

Dimensions



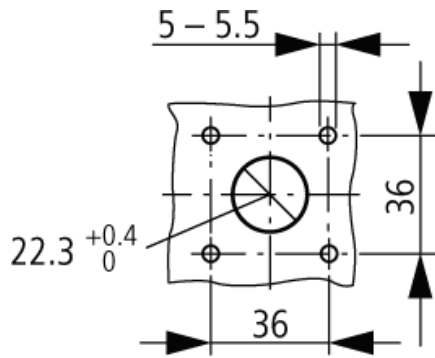
Shaft can be extended using ZVV-... + ZAV-..., max. $F 4 \times 25 = 100$ mm
 Not included

Dimensions



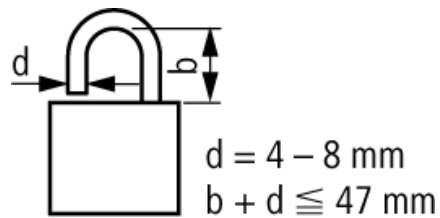
Diameter of drilled hole Bottom

Dimensions



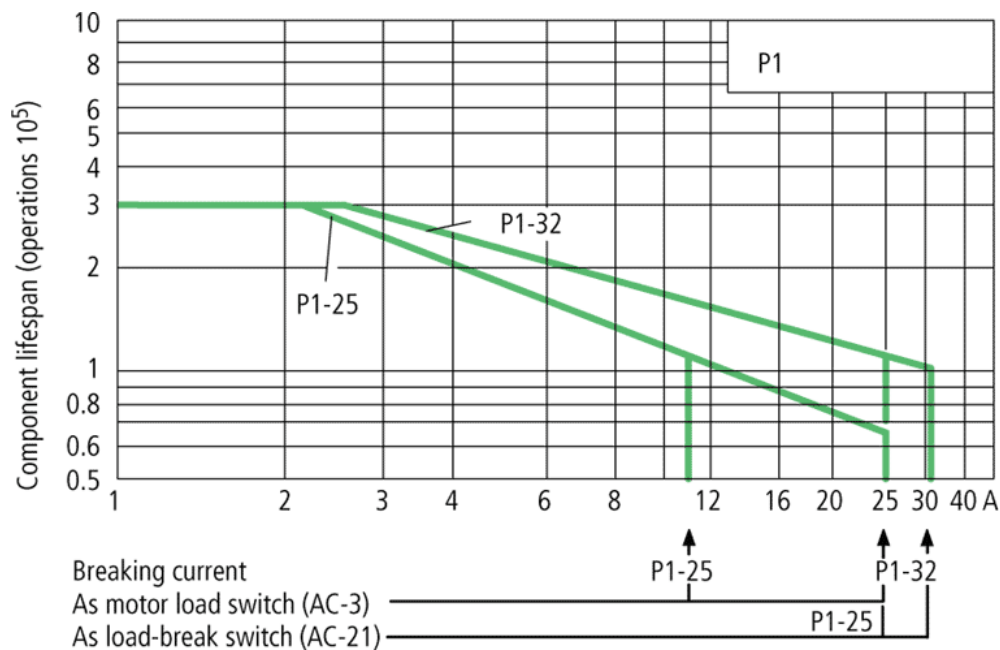
Diameter of drilled hole Door

Dimensions



3 Padlocks

Characteristic curve



For utilisation category AC-4 (extreme load: 100 % inching, reversing or plugging)
 The blocked rotor current of the motor should not exceed the rated current of the switch for AC-21A to ensure a reasonable device lifespan.

Moeller GmbH, Hein-Moeller-Str. 7-11, D-53115 Bonn
 E-Mail: catalog@moeller.net, Internet: www.moeller.net, <http://catalog.moeller.net>
 HPL-C2007G V2.1 © 2007 by Moeller GmbH

X-ON Electronics

Largest Supplier of Electrical and Electronic Components

Click to view similar products for [eaton](#) manufacturer:

Other Similar products are found below :

[BK-MDL-3-R](#) [BK1-S506-500-R](#) [BK1-S506-6-3-R](#) [BK1-S506-2-R](#) [MPI4040R4-1R5-R](#) [TDC600-10A](#) [89096-015](#) [8946K153](#) [8961K155](#)
[M22-D-R-GB0/K11](#) [M22-L-R/R](#) [M22S-ST-GB12](#) [630NHG3B](#) [63ET](#) [6422](#) [6580](#) [CTX20-16-52LP-R](#) [CWL530FI](#) [CXM/CO/GP/R/BB](#)
[6HD36](#) [714125](#) [MBO-2](#) [ESR5-NO-41-24VAC-DC](#) [7314K36](#) [7321K2](#) [F02A-1-1/2A](#) [F02A-1-1/2AS](#) [F02A-1AS](#) [F02A-2AS](#) [F02A-3/4A](#)
[F03A250V12A](#) [F03B125V4A](#) [MCR-4](#) [MDA-2-8/10-R](#) [MDA-30A](#) [MDA-V-1/16](#) [F60C500V10AS](#) [F60C500V15AS](#) [7563K84](#) [7634K36](#)
[MDQ-3/16](#) [MDQ-7/10](#) [MDQ-V-1/10](#) [MDQ-V-1-1/4](#) [MDQ-V-1/16](#) [MDQ-V-1/2](#) [MDQ-V-1/4](#) [MDQ-V-3/16](#) [MDQ-V-3/8](#) [MDQ-V-6/10](#)