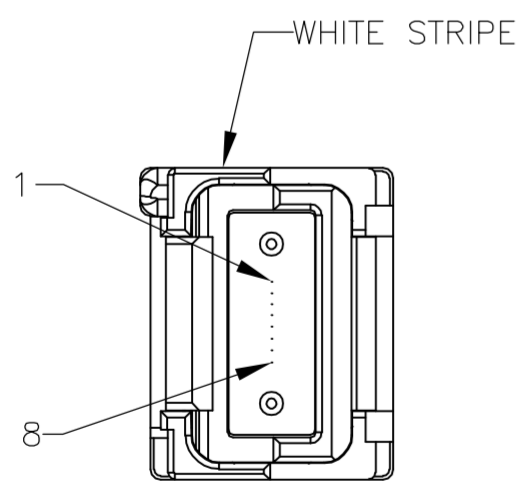
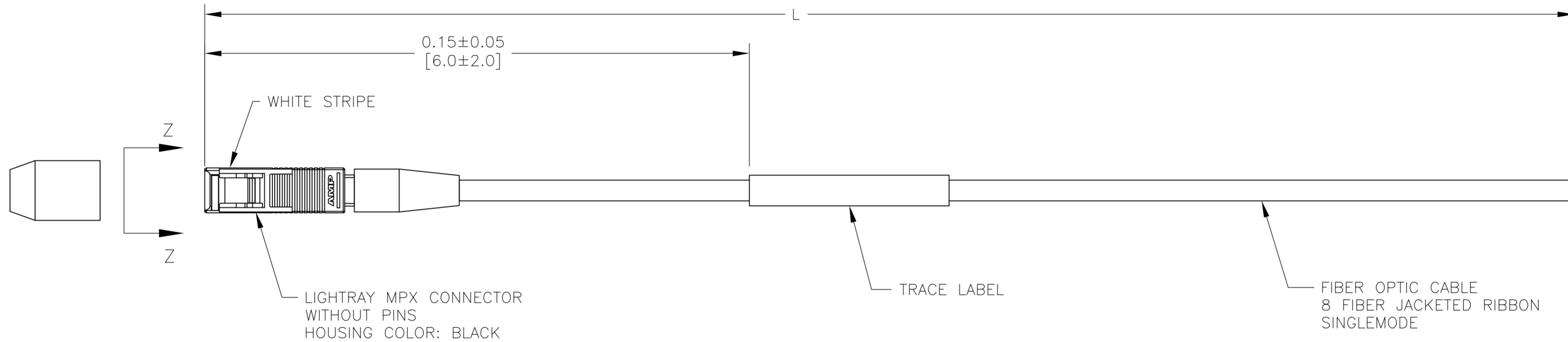


THIS DRAWING IS UNPUBLISHED. RELEASED FOR PUBLICATION  
 © COPYRIGHT BY TYCO ELECTRONICS CORPORATION. ALL RIGHTS RESERVED.

LOC	DIST	REVISIONS			
P	LTR	DESCRIPTION	DATE	DWN	APVD
CE	16	A1	ADDED -12	19JUN06	JWD JB

1. MAX INSERTION LOSS: 1.0dB (1310um)
2. PRODUCT AND PROCESSING MUST MEET REQUIREMENTS OF TYCO ELECTRONICS STANDARD 230-702.



FIBER NO	COLOR
1	BLUE
2	ORANGE
3	GREEN
4	BROWN
5	SLATE
6	WHITE
7	RED
8	BLACK

VIEW Z-Z  
NOT TO SCALE

LIGHTRAY MPX CONNECTOR FIBER PATH

12.000	+0.120/-0.000	[472.4 +4.7/-0.0]	1-6754258-2
10.000	+0.100/-0.000	[393.7 +4.0/-0.0]	1-6754258-0
5.000	+0.076/-0.000	[196.9 +3.0/-0.0]	6754258-5
3.000	+0.076/-0.000	[118.1 +3.0/-0.0]	6754258-3
2.000	+0.076/-0.000	[78.7 +3.0/-0.0]	6754258-2
1.000	+0.076/-0.000	[39.4 +3.0/-0.0]	6754258-1
L METERS [INCHES]			PART NUMBER

THIS DRAWING IS A CONTROLLED DOCUMENT.		DWN KATHY HE 28DEC05	<b>tyco</b> Tyco Electronics Corporation Harrisburg, PA 17057	
DIMENSIONS: METERS [INCHES]		CHK J.BARRY 03JAN06	NAME PIGTAIL, FIBER OPTIC, 8 FIBER SINGLEMODE JACKETED RIBBON, LIGHTRAY MPX (NO PINS)	
TOLERANCES UNLESS OTHERWISE SPECIFIED:		APVD J.BARRY 03JAN06	DRAWING NO 6754258	
0 PLC ± -		PRODUCT SPEC	RESTRICTED TO	
1 PLC ± -		APPLICATION SPEC	-	
2 PLC ± -		WEIGHT	-	
3 PLC ± -		SCALE	NTS	
4 PLC ± -		CUSTOMER DRAWING	SHEET 1 OF 1	
ANGLES ± -		FINISH	REV A1	
MATERIAL		SIZE	A2	
-		CAGE CODE	00779	

## X-ON Electronics

Largest Supplier of Electrical and Electronic Components

*Click to view similar products for [Fiber Optic Connectors](#) category:*

*Click to view products by [TE Connectivity](#) manufacturer:*

Other Similar products are found below :

[0004700001](#) [6100-R](#) [6313](#) [F709034706](#) [F709722200](#) [F709730000](#) [F718183204](#) [F727403500](#) [F727752800](#) [FCXO-12-3BY](#) [FO-SCREW\(M2X6\)](#) [9440F20-27S-190](#) [944-120-6001](#) [944-125-6003](#) [9441F10SL-3P](#) [953-101-5310-P](#) [954-101-57202B](#) [A0270169](#) [12-9122](#) [12-5702](#) [143025NC](#) [DSAKB](#) [AX101713](#) [AX102420](#) [AX103923](#) [AX104193](#) [AX104230](#) [AX104562](#) [AX104683](#) [AX105203-B25](#) [AX105205-S1](#) [EHSC2M](#) [17-300800](#) [180-044NF06-11-2S](#) [180-044NF06-17-8P](#) [180-044NF07-11-2S](#) [181-011-126](#) [181-011-S](#) [181-057-126](#) [BT34IW](#) [HRFCP-HSCJ-1\(61\)](#) [HRFC-R2\(40\)](#) [NKSOPBUY](#) [20500002116](#) [2064996-1](#) [20800001065](#) [2170](#) [9132](#) [2612](#) [2620](#)