

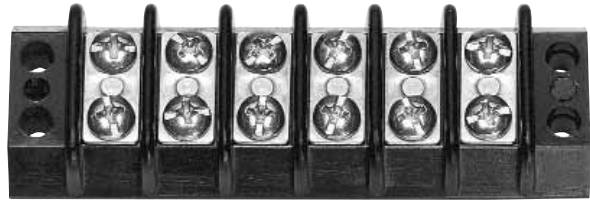
# Double Row Terminal Blocks

## 200 Series Kulka® 671 GP Series

### 300 Volts

#### Specifications:

- Base, General Purpose Phenolic, 150°C
- Closed Back Design
- Screws, #6-32 Binder Head, Phil-Slot, Steel
- Terminals, Plated Brass
- 1-30 Poles
- 7/16" Centers
- Wire Range With Wire Binding Screw #12-#22 AWG – 20 Amps
- Wire Range With Sems Pressure Screw #12-#22 AWG Stranded Copper Wire Only, 20 Amps
- Will Accommodate Lugs For Wire Sizes #10-#16 AWG – 30 Amps
- The Suitability Of These Devices For Greater Currents Shall Be Determined In The End-Use Application
- UL Recognized File No. XCFR2.E62806
- CSA Certified File No. LR19766
- CE



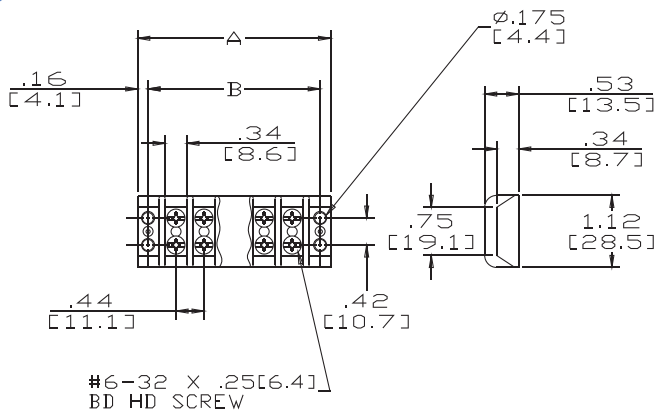
MSP Catalog #	Kulka® Catalog #	# of poles	Dimensions	
			A	B
201	671 GP 01	1	1.19	0.88
202	671 GP 02	2	1.62	1.31
203	671 GP 03	3	2.06	1.75
204	671 GP 04	4	2.50	2.19
205	671 GP 05	5	2.94	2.63
206	671 GP 06	6	3.37	3.06
207	671 GP 07	7	3.81	3.50
208	671 GP 08	8	4.25	3.94
209	671 GP 09	9	4.69	4.38
210	671 GP 10	10	5.12	4.81
211	671 GP 11	11	5.56	5.25
212	671 GP 12	12	6.00	5.69
213	671 GP 13	13	6.44	6.13
214	671 GP 14	14	6.87	6.56
215	671 GP 15	15	7.31	7.00

MSP Catalog #	Kulka® Catalog #	# of poles	Dimensions	
			A	B
216	671 GP 16	16	7.75	7.44
217	671 GP 17	17	8.19	7.88
218	671 GP 18	18	8.62	8.31
219	671 GP 19	19	9.06	8.75
220	671 GP 20	20	9.50	9.19
221	671 GP 21	21	9.94	9.63
222	671 GP 22	22	10.37	10.06
223	671 GP 23	23	10.81	10.50
224	671 GP 24	24	11.25	10.94
225	671 GP 25	25	11.69	11.38
226	671 GP 26	26	12.12	11.81
227	671 GP 27	27	12.56	12.25
228	671 GP 28	28	13.00	12.69
229	671 GP 29	29	13.44	13.13
230	671 GP 30	30	13.87	13.56

MM=Dim X 25.4

#### Hardware Options: (Hardware options may affect ratings - consult factory)

MSP	KULKA		
(F1)	KT37	= Full Quick Connect (0° flat)	See Page 96
(F2)	KT38	= Full Quick Connect (45° Bend)	See Page 96
(F3)	KT39	= Full Quick Connect (90° Bend)	See Page 96
(S)	ST	= Full Solder	See Page 97
(LL 200)	J601	= Line to Line Jumper	See Page 99
	601RJ(S)	= Multiple Position Jumper	See Page 99
(HS)	3/4 ST	= Half Solder	See Page 97
(HF1)	KT43	= Half Quick Connect (0° Flat)	See Page 96
(HF2)	KT44	= Half Quick Connect (45° Bend)	See Page 96
(HF3)	KT45	= Half Quick Connect (90° Bend)	See Page 96
(SP)	3765	= Sems Pressure Saddle Screw	See Page 99
(SPSE)	3767	= Sems Pressure Saddle Screw with External Tooth Lock Washer	
	LWW	= Feed Thru Wire Wrap (.640)	
(L)	Y	= Feed Thru Solder (.437)	
	YSY	= Feed Thru Solder (.625)	
	PSB	= Phil-Slot Brass Screw	



## X-ON Electronics

Largest Supplier of Electrical and Electronic Components

*Click to view similar products for [marathon manufacturer](#):*

Other Similar products are found below :

[104](#) [599-GP-2004-10](#) [600-2004-3-SP](#) [600-GP-20](#) [600TS-10](#) [601-GP-2102-02](#) [601-GP-3/4ST-12](#) [601-GPYSY-03](#) [602-GPYSY-22](#) [603-2302-04](#) [603-JJ-04](#) [603-JJ-07](#) [604-JJ-06](#) [605-GP-03SLB](#) [605-JJ-02](#) [651-XPR-13](#) [670-3/4ST-9](#) [670A-GP-3000-18](#) [670A-GP-3000-25](#) [670A-GP-3000-27](#) [670A-GP-3/4ST-10](#) [670-GP-19](#) [CW205-01C](#) [671-RZ-25](#) [672-GPY-05](#) [672-RZ-24](#) [699-GP-2102-08](#) [699-GP-2120-12](#) [6F30A3S](#) [6H38-TSKK-C](#) [6R30A3SP](#) [F600A1B](#) [F600A3B](#) [F60A1B](#) [799-6-KT28](#) [799-7-KT28](#) [FPB33588](#) [8TBJ02](#) [R30A1B](#) [RF400A3B](#) [1321970](#) [1322970CH](#) [1320972](#) [1331955](#) [1332270](#) [1332554CH](#) [1333280CH](#) [1333575CH](#) [1353701](#) [1353701CH](#)