

## PLATINUM-3 lenses for Osram Dragon

**OSRAM**  
www.osram.com



- Especially designed for Osram Golden Dragon Plus LEDs, but works well with Golden & Platinum Dragon too
- Lens material optical grade PMMA with high UV and temperature resistance (105°C/220°F)
- High optical efficiency, >85%
- No lens holder. Fastening to heat sink with droplets of glue. NOTE: legs go into the PCB by 1.2 mm only, do not go thru a normal MCPCB
- Diameter 50 mm (MR16)
- Mechanical CAD models available upon request
- All 3 lens types have the same outer dimensions.

## LENS TYPES

NAME	ORDERING CODE	FWHM Angle
PLATINUM-3 spot	C10366_Platinum-3-S	±7°
PLATINUM-3 medium	C10367_Platinum-3-M	±10°
PLATINUM-3 wide	C10365_Platinum-3-W	±23°



PLATINUM-3-S



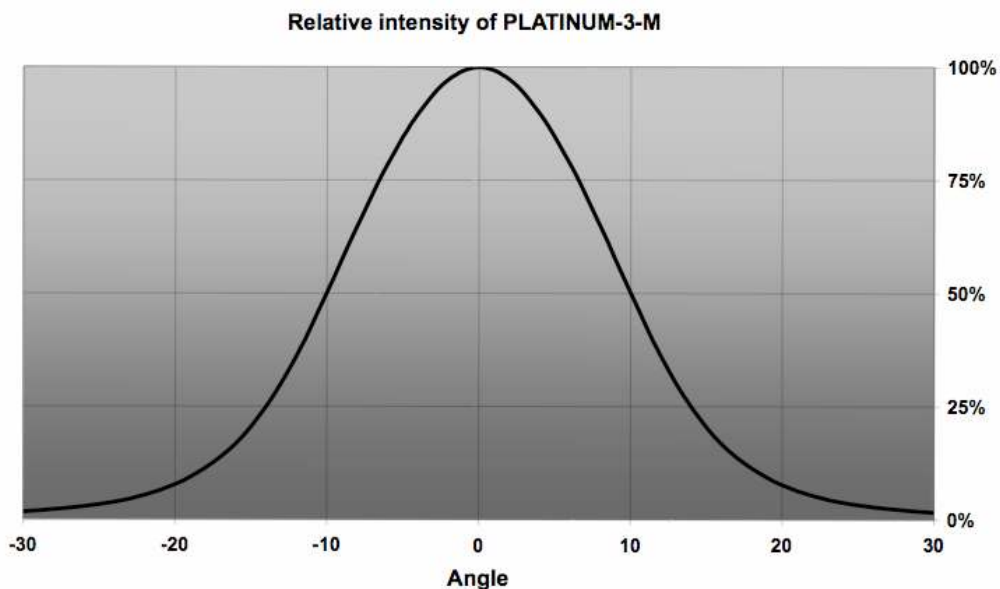
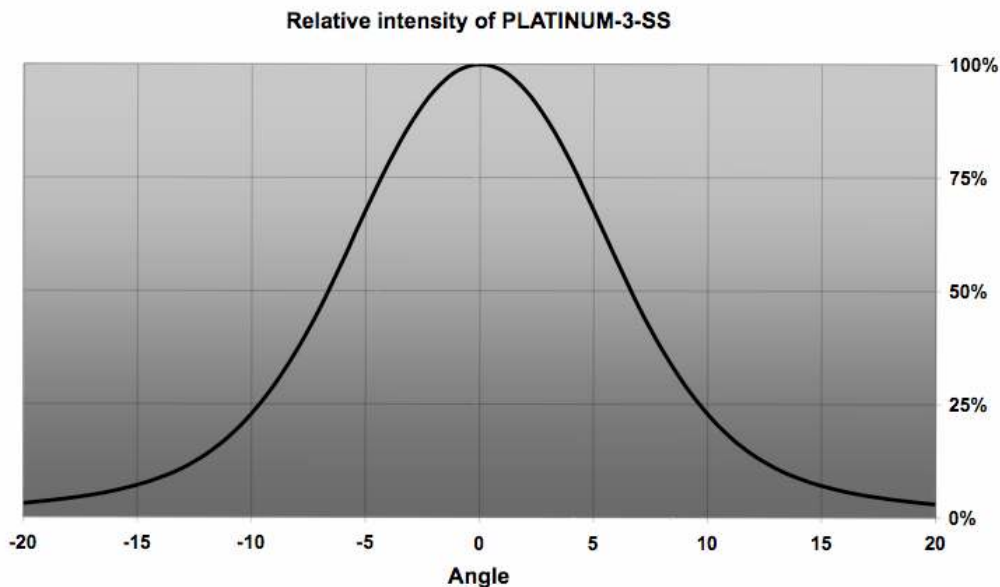
PLATINUM-3-M



PLATINUM-3-W

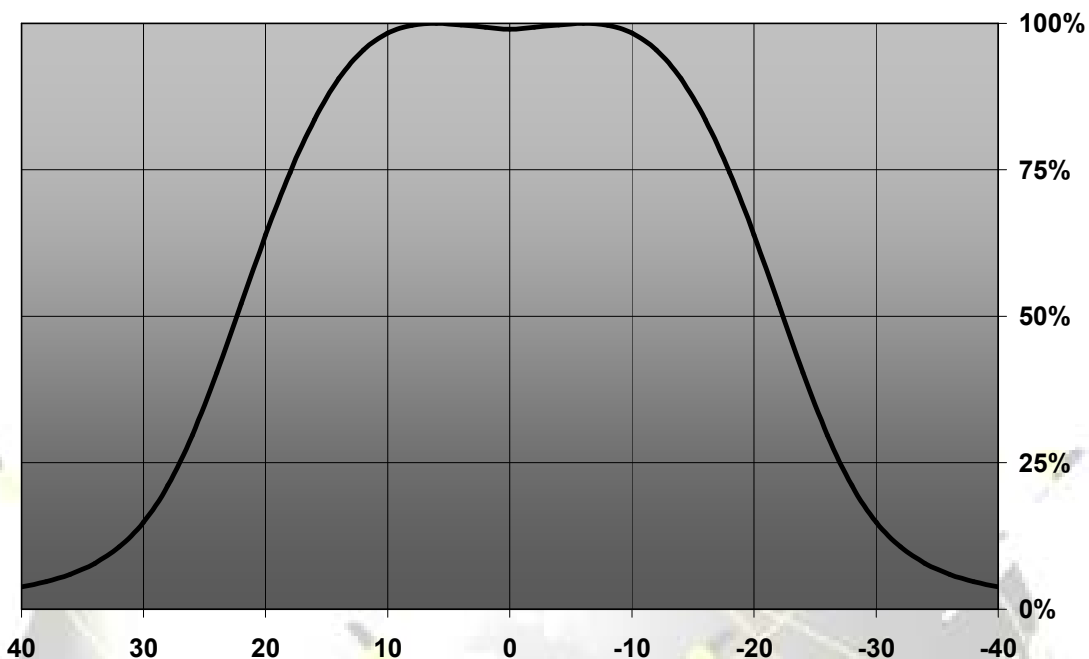
© Ledil Oy – PRELIMINARY - Subject to change without prior notice

## MEASUREMENT DATA



© Ledil Oy – PRELIMINARY - Subject to change without prior notice

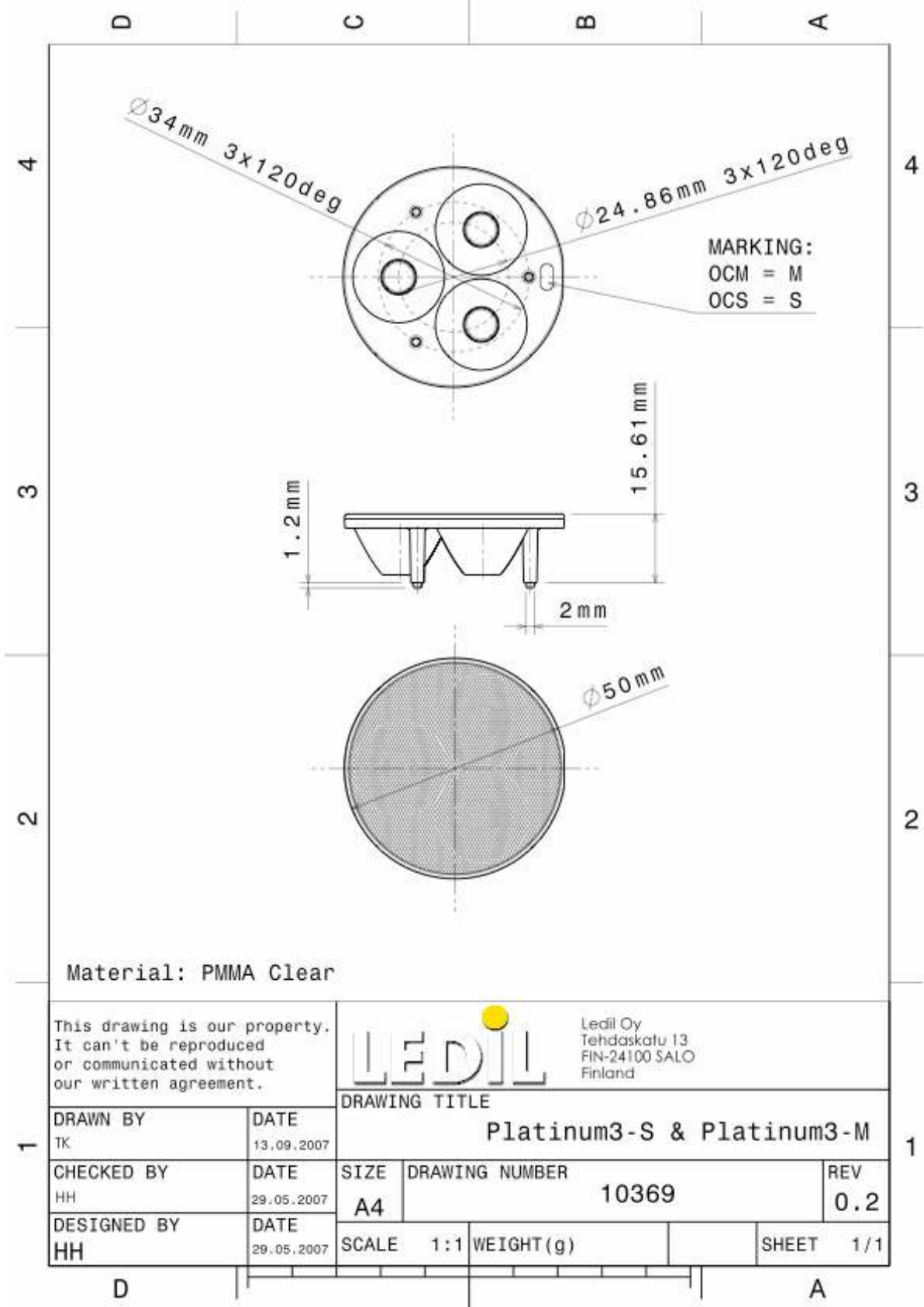
Relative Intensity of C10365\_Platinum-3-W



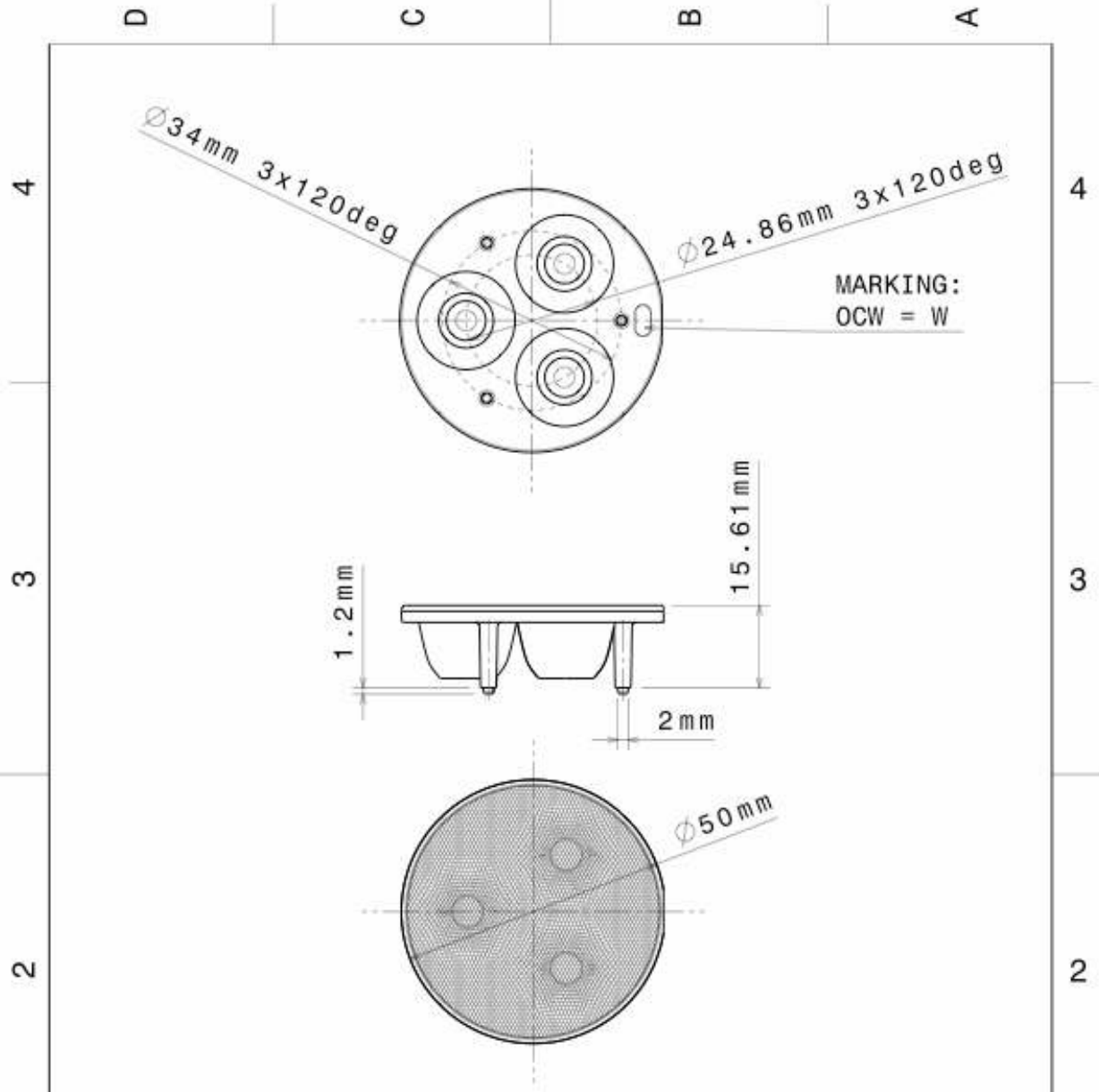
## PACKAGING

Lenses are packed in carton boxes of 364 pieces in each box.

## DRAWINGS



© Ledil Oy - PRELIMINARY - Subject to change without prior notice



Material: PMMA Clear

This drawing is our property. It can't be reproduced or communicated without our written agreement.



Ledil Oy  
Tehdaskatu 13  
FIN-24100 SALO  
Finland

DRAWING TITLE

Platinum3-W

DRAWN BY TK		DATE 13.09.2007		SIZE A4		DRAWING NUMBER 10375		REV 0.2	
CHECKED BY HH		DATE 29.05.2007		SCALE 1:1		WEIGHT (g)		SHEET 1/1	
DESIGNED BY HH		DATE 29.05.2007							

## X-ON Electronics

Largest Supplier of Electrical and Electronic Components

*Click to view similar products for [LED Lenses](#) category:*

*Click to view products by [Ledil](#) manufacturer:*

Other Similar products are found below :

[131A-303G](#) [131A-304R](#) [139A-403R](#) [139A-403A](#) [160A-604R](#) [160A-604Y](#) [SMB\\_200\\_GTP](#) [SMQ\\_250\\_ATP](#) [SMS\\_172\\_RTP](#) [SQB\\_400\\_ATP](#)  
[SSN-LX13049L-CD](#) [SSN-LX18754A](#) [SSN-LX18754C](#) [2817](#) [CLR\\_301\\_YTP](#) [CMC\\_313\\_ATP](#) [3121](#) [3124](#) [3125](#) [39-30-W03](#) [4344](#) [4623](#)  
[4745](#) [4747](#) [3111](#) [3114](#) [3115](#) [3121](#) [3122](#) [3124](#) [3125](#) [4327](#) [4743](#) [4745](#) [4752](#) [4757](#) [SSN-LX690L1-C](#) [SQL\\_360\\_YTP](#) [SMQ\\_250\\_BTP](#) [3114](#)  
[3113](#) [CMS444CTP](#) [1125-227-000](#) [4317](#) [4347](#) [4741](#) [4316](#) [4343](#) [4345](#) [4345](#)