

**Product number C10977_LILY-S**

Family	Lily	FWHM	24 degrees
Type	Reflector	Efficiency	93 %
LED	SST-90	cd/lm	(simulated) 0.000
Color	Metal	Gerber File	Available
Diameter	22.6 mm		
Height	13.6 mm		
Style	Hexag		
Optic Material	PC		
Holder Material	-		
Fastening	Glue		
Status	On production		

**Product number C10978_LILY-M**

Family	Lily	FWHM	26 degrees
Type	Reflector	Efficiency	91 %
LED	SST-90	cd/lm	(simulated) 0.000
Color	Metal	Gerber File	Available
Diameter	22.6 mm		
Height	13.6 mm		
Style	Hexag		
Optic Material	PC		
Holder Material	-		
Fastening	Glue		
Status	On production		

**Product number C10979_LILY-W**

Family	Lily	FWHM	56 degrees
Type	Reflector	Efficiency	92 %
LED	SST-90	cd/lm	-
Color	Metal	Gerber File	Available
Diameter	22.6 mm		
Height	13.6 mm		
Style	Hexag		
Optic Material	PC		
Holder Material	-		
Fastening	Glue		
Status	On production		

NOTE: The typical divergence will be changed by different color, chip size and chip position tolerance. The typical total divergence is the full angle measured where the luminous intensity is half of the peak value.



PRODUCT DATASHEET

Lily series

last update 24/6/2014

GENERAL INFORMATION

- Product series especially designed & optimized for SST-90 series of LEDs.
- Special care taken to make light distribution as uniform as possible.
- Reflector is made of aluminium coated PC (120 degrees of Celcius / 248 degrees of Fahrenheit) with protective lacquer (short term 100 degrees of Celcius / 212 degrees of Fahrenheit).
- Fastening to PCB with appropriate adhesive. By clicking link below you can find Ledil recommended glue options.
http://www.ledil.com/datasheets/DataSheet_GLUES.pdf

NOTE 1: We advise customer to ensure the suitability and sufficiency of the bond in the end product. For example, mechanical stress, vibration and holes on the surface of the circuit board weaken the strength of the glue.

NOTE 2: All surfaces where glue is applied must be clean, dry and free from grease and dirt. If cleaning of PCB surfaces is needed, please follow strictly the cleaning instructions of your LED manufacturer -this is important as cleaning shall under no circumstances damage LEDs or other electronics components on the PCB.

Further note that optical components shall not be cleaned with any chemicals - only micro fiber cloth may be used to remove fingerprints or other traces from handling.

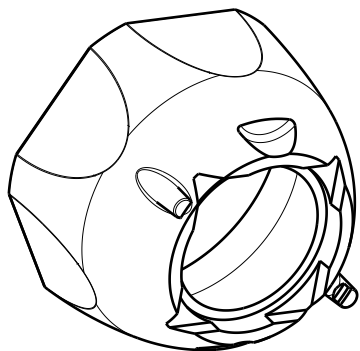
D

C

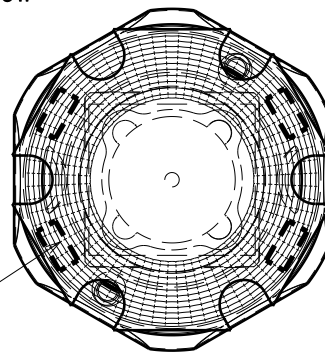
B

A

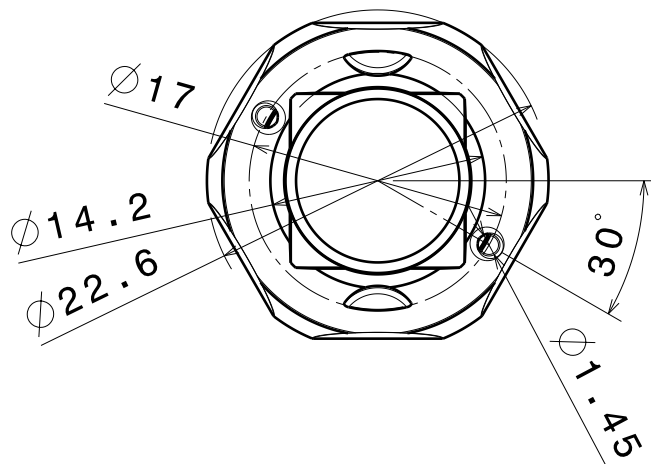
Assy view



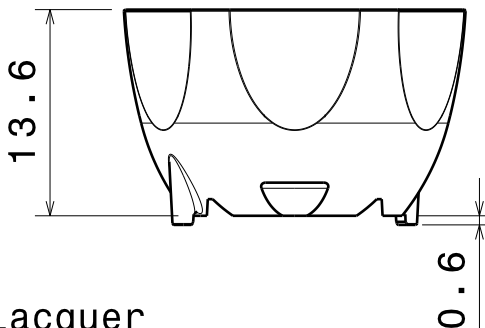
Isometric view

Soldering pad,
SST50/90 led

Bottom view



Front view



Material: PC
Coating: metal+clear lacquer

Versions for sst50/90 led;
C10977 Spot
C10978 Medium
C10979 sWide

This drawing is our property.
It can't be reproduced
or communicated without
our written agreement.

Ledil Oy
Tehdaskatu 13
FIN-24100 SALO
Finland

DRAWING TITLE

Datasheet Lily Reflector

DRAWN BY

pv

DATE

11.08.2009

CHECKED BY

hh

DATE

07.08.2009

DESIGNED BY

jj

DATE

07.08.2008

SIZE

A4

DRAWING NUMBER

C10977-979

REV

0.1

SCALE

2:1

WEIGHT (g)

SHEET

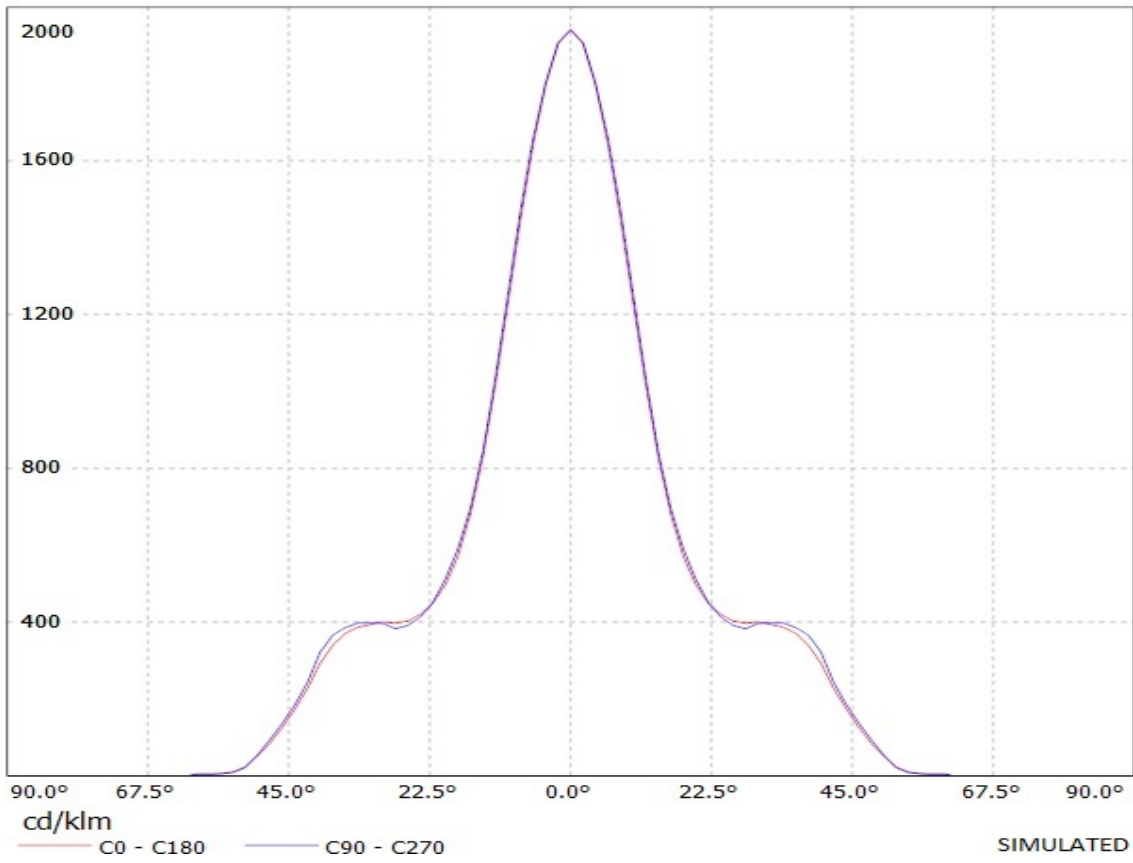
1/1

D

A

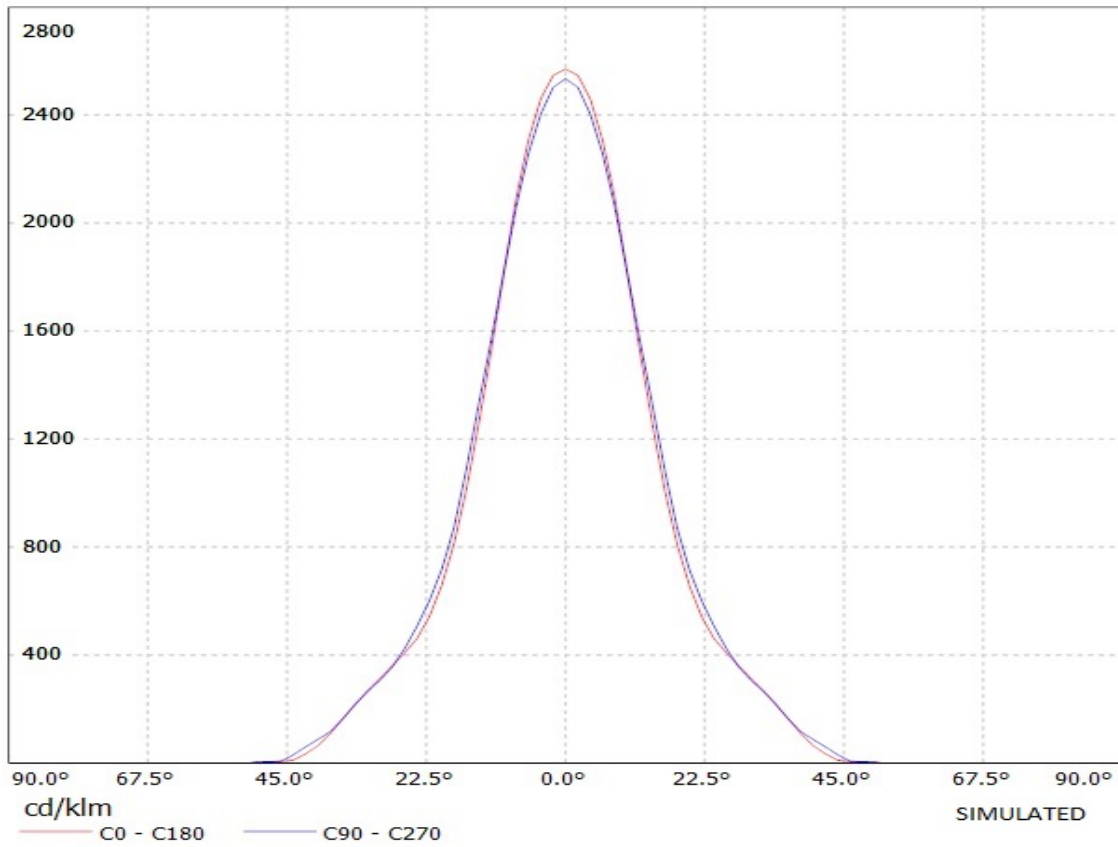
Ledil Oy C10977_Lily-SST90-S C10977_Lily-SST90-S / LDC (Linear)

Luminaire: Ledil Oy C10977_Lily-SST90-S C10977_Lily-SST90-S
Lamps: 1 x Luminus SST-90 (White)



Ledil Oy C10978_Lily-SST90-M C10978_Lily-SST90-M / LDC (Linear)

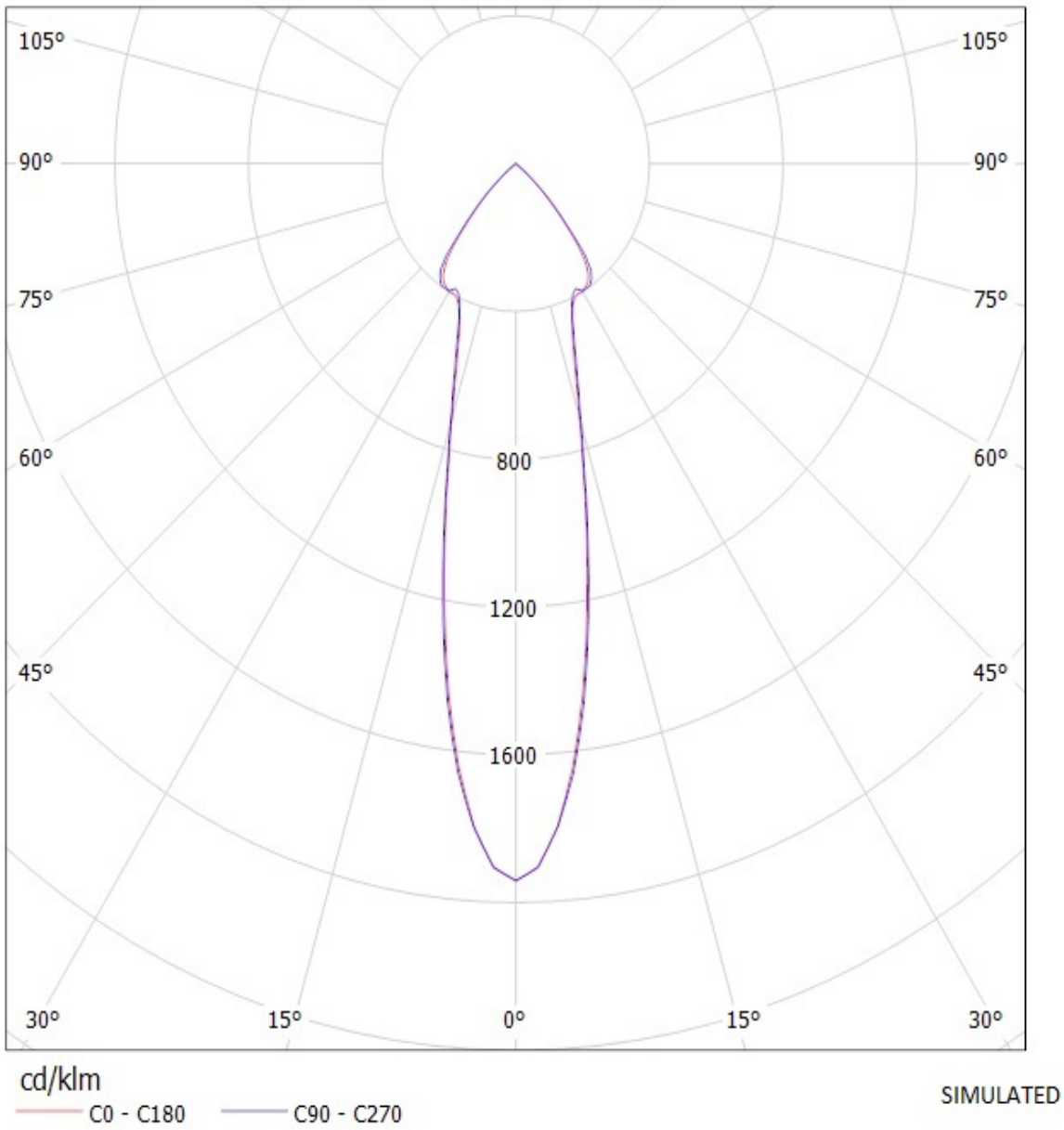
Luminaire: Ledil Oy C10978_Lily-SST90-M C10978_Lily-SST90-M
Lamps: 1 x Luminus SST-90 (White)



Ledil Oy C10977_Lily-SST90-S C10977_Lily-SST90-S / LDC (Polar)

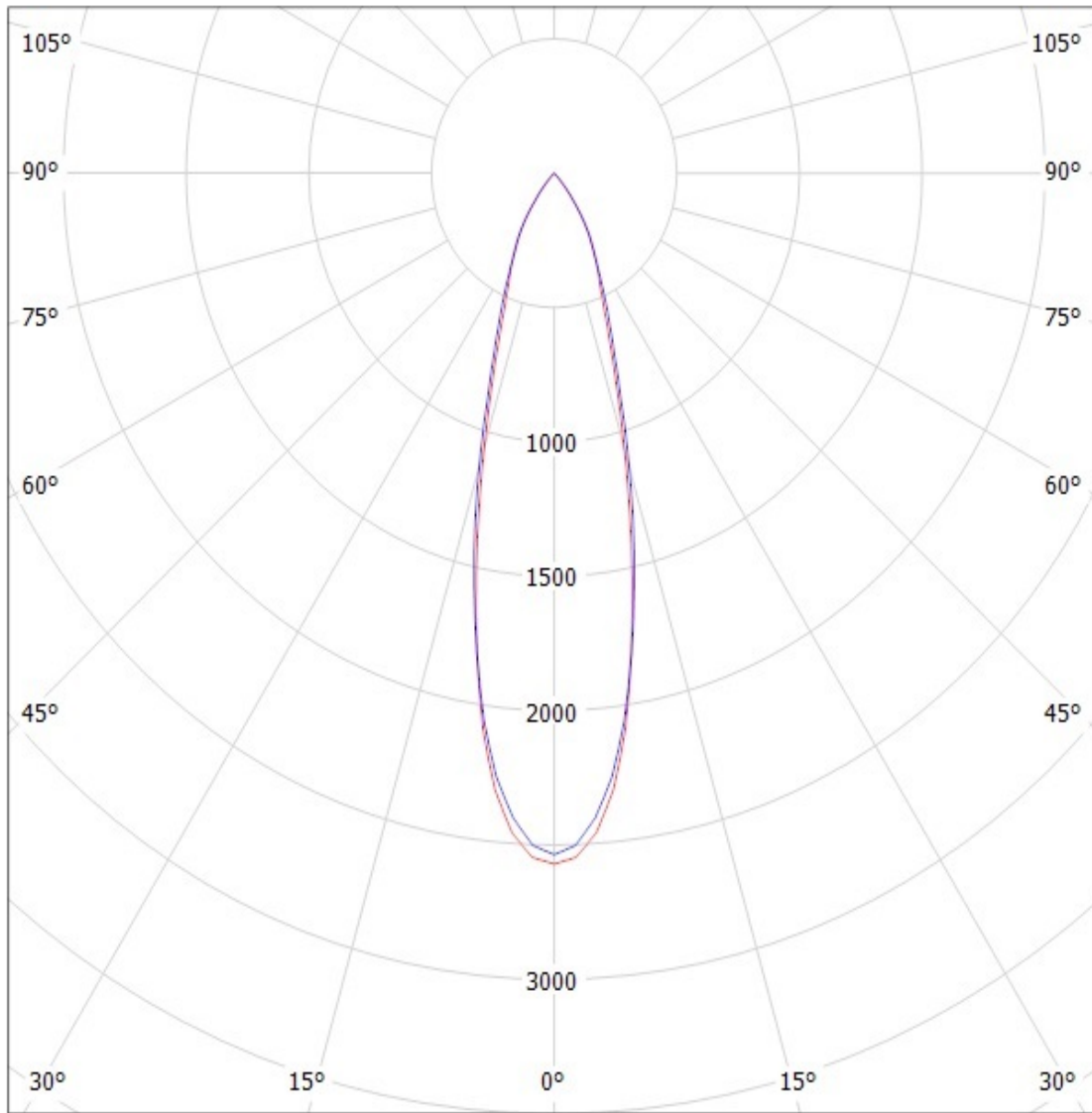
Luminaire: Ledil Oy C10977_Lily-SST90-S C10977_Lily-SST90-S

Lamps: 1 x Luminus SST-90 (White)



Ledil Oy C10978_Lily-SST90-M C10978_Lily-SST90-M / LDC (Polar)

Luminaire: Ledil Oy C10978_Lily-SST90-M C10978_Lily-SST90-M
Lamps: 1 x Luminus SST-90 (White)



cd/klm

— C0 - C180 — C90 - C270

SIMULATED

X-ON Electronics

Largest Supplier of Electrical and Electronic Components

Click to view similar products for [ledil](#) manufacturer:

Other Similar products are found below :

[FCN10804_LR1-RS](#) [C12084_BROOKE-SCR-W](#) [C13405_SANDRA-12-M](#) [C13499_STRADA-2X2-CY](#) [C14346_ANGELETTE-WAS](#)
[CA10927_STRADA-B](#) [CA11253_STRADA-C2](#) [CA11355_LAURA-M](#) [CA11525_LAURA-R-W](#) [CA11643_LAURA-SS](#) [C14165_STRADA-](#)
[2X2-ME-WIDE2](#) [CA10716_BOOM-S](#) [CA11819_STRADA-SQ-T-DW](#) [FA10679_CMC-RS](#) [C12449_STRADA-T-6X1-DWC](#) [C10909_EVA-](#)
[WW](#) [CA10930_BOOM-M](#) [CA11052_TINA2-O](#) [CA11663_HEIDI-RS](#) [C11716_ANNA-40-7-S](#) [C12692_LENA-STD-BASE-CLL040](#)
[C13233_HB-2X2-M](#) [C15801_MOLLY-M](#) [CA10931_BOOM-W](#) [CA11264_HEIDI-D](#) [CA11426_STRADA-T-DW](#) [CN12646_LENINA-W](#)
[CS14597_HB-IP-2X6-O](#) [CN12644_LENINA-S](#) [CS14840_HB-2X2MX-M](#) [CS14895_HB-IP-2X6-RS](#) [C15431_STRADELLA-16-HB-M](#)
[C16156_STRADELLA-16-HB-O](#) [C16220_STRADELLA-16-T1-A](#) [F14533_ANGELETTE-M](#) [CA14505_G2-LXP2-RS2-P](#) [CA12402_TINA2-](#)
[W](#) [C16585_DAISSY-28X1-SHD](#) [C16588_DAISSY-4X1-W](#) [C16783_DAISSY-28X1-SHD-WHT](#) [C17171_DAISSY-8X1-SHD-MATT](#)
[FN17294_VIOLET-12X1-S](#) [C16959_STRADELLA-16-SCL](#) [FA11207_TINA-W](#) [C13085_MIRELLA-50-S-PF](#) [C17341_DAISSY-4X1-WW-](#)
[US-D](#) [C14275_SHELLY-T-6X1-N](#) [CA13013_SIRI-DOME](#) [C13032_BARBARA-WW](#) [C12608_VIRPI-M](#)