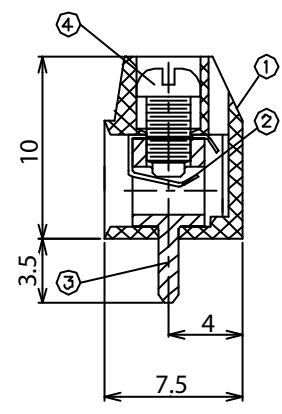
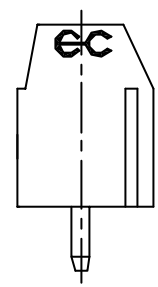
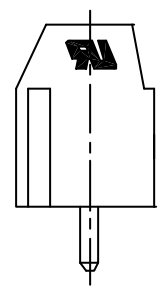
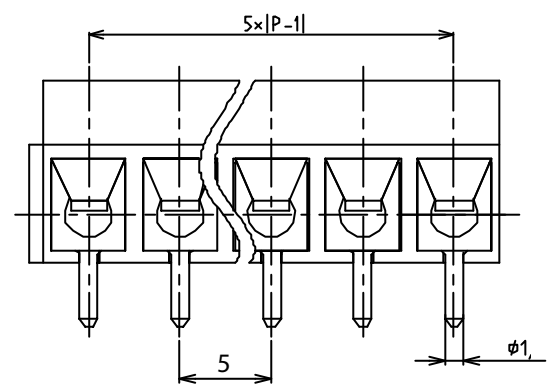
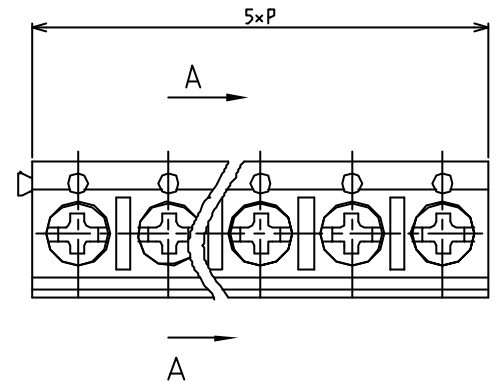


Used for:

- NOTES:
1. Rating: 310V 16A;
PITCH: 5mm
 2. Insulation Withstands Voltage:
AC1001V/MIN
 3. Insulation Resistance:
1000MΩ or more at DC511V
 4. Using Temperature Range:
-40°C--+105°C
 5. Screw Torque Value: 4.4kg-cm
 6. Suitable Electric Wire:
14-21AWG



4	Screw	S011113311	Steel	Znc-Plated			
3	Terminal	C11111111111	HPb59-1	Tin-Plated			
2	Clamp	1009M11111	QSn6.5-1.1	Ni-Plated			
1	Housing	1119P01111	PBT G21	GREY			
ITEM	NAME OF PART	NO OF PART	Q'TY	MATERIAL	NDTE		
DWG.	CHENR	DATE	2003/11/17	UNTS	MN	SHEET/DF	1/1
CHK.		DATE		SCALE	1:1		
APP.		DATE		NAME		20.501M	
REV.				CONTENT		CHK.	DATE
						DWG NO.	

Pitch range in mm		Nominal dimension range in mm		radius	clearance	slant angle	side	≡	□	∥
2	0	16	24	32	0.5	3	6	11	51	121
to	to	to	to	to	to	to	to	to	to	to
8	16	24	32	36	3	6	36	121	51	121
±0.18	±0.13	±0.11	±0.09	±0.11	±0.1	±0.1	±0.15	1°	31°	28°
0.2	0.15	0.125	0.16	0.12	1.4					

X-ON Electronics

Largest Supplier of Electrical and Electronic Components

Click to view similar products for imo manufacturer:

Other Similar products are found below :

[20.155MV/12-E](#) [MC14N-S-10110AC](#) [MB09-S-10=24](#) [DPS-1-030-24](#) [SRF-1C-SL-12VDC](#) [MB09-S-1024](#) [LDC18RRS](#) [SFSYE0111](#)
[21.1500M/6-E](#) [20.3304M/2-E](#) [21.910M/5-E](#) [20.95MA/2-E](#) [21.95MHF/2-E](#) [PE69-4032](#) [DPS-1-060-24](#) [CS20A-A2](#) [CS20A-U1](#) [VFC02](#)
[MSSTC11DA06](#) [20.95MHF/3-E](#) [B3T10](#) [XKL-040-21](#) [20.3304M/4-E](#) [SRDH-1A-SL-24VDC](#) [20.2500M/5-E](#) [21.155MH/12](#) [SRRHN-2CN-](#)
[SL-12VDC](#) [QYE21XXF24DC](#) [20.920M/5-E](#) [MC10N-S-10110AC](#) [21.1550MF/8-E](#) [20.910M/6-E](#) [20.95MH/3-E](#) [21.95MV/3](#) [MA05-S-](#)
[01230AC](#) [SRRHN-2CN-SL-5VDC](#) [LB69-4040](#) [20.3001M/6](#) [21.1500M/3-E](#) [SFSYE0311](#) [21.95MHF/6-E](#) [20.95MV/2-E](#) [20.155MV/4-E](#)
[20.155MH/4-E](#) [20.950M/2-E](#) [MT5 1-50-FAR](#) [BS3P3REDO](#) [MB12-S-10=24](#) [MA05-S-1024DC](#) [20.155MVF/8-E](#)