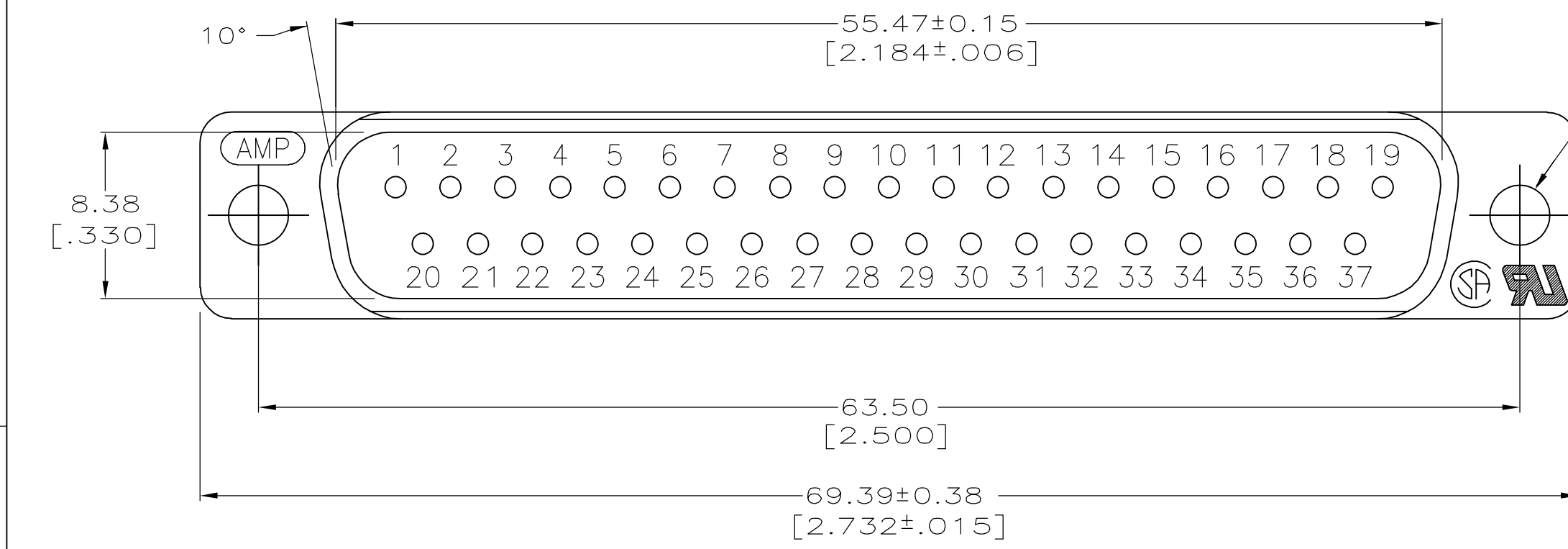
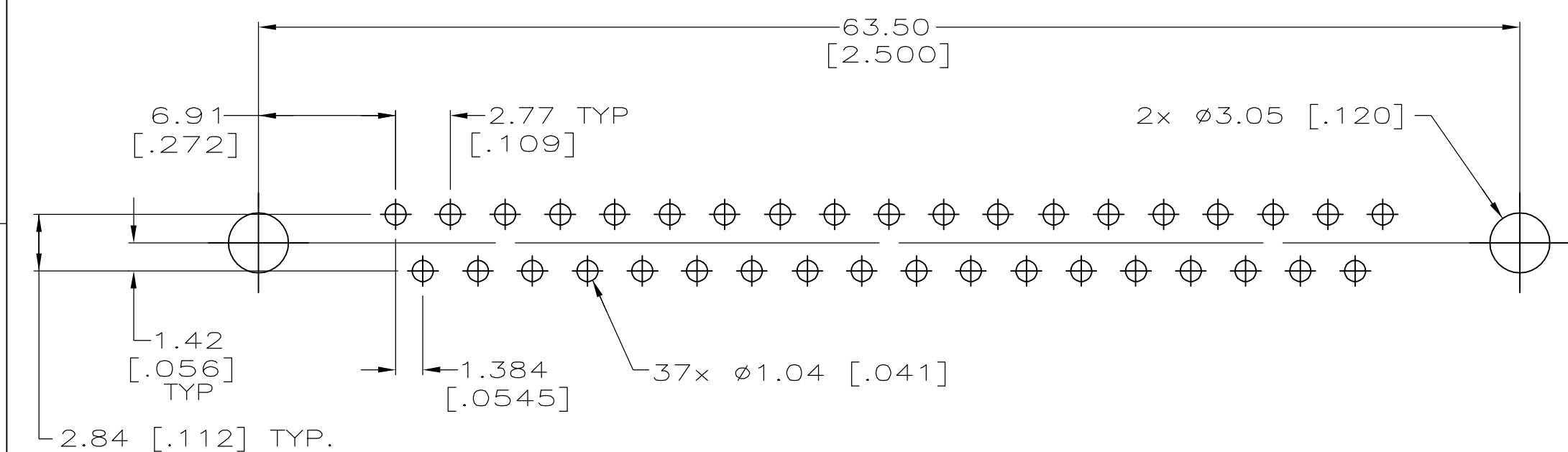
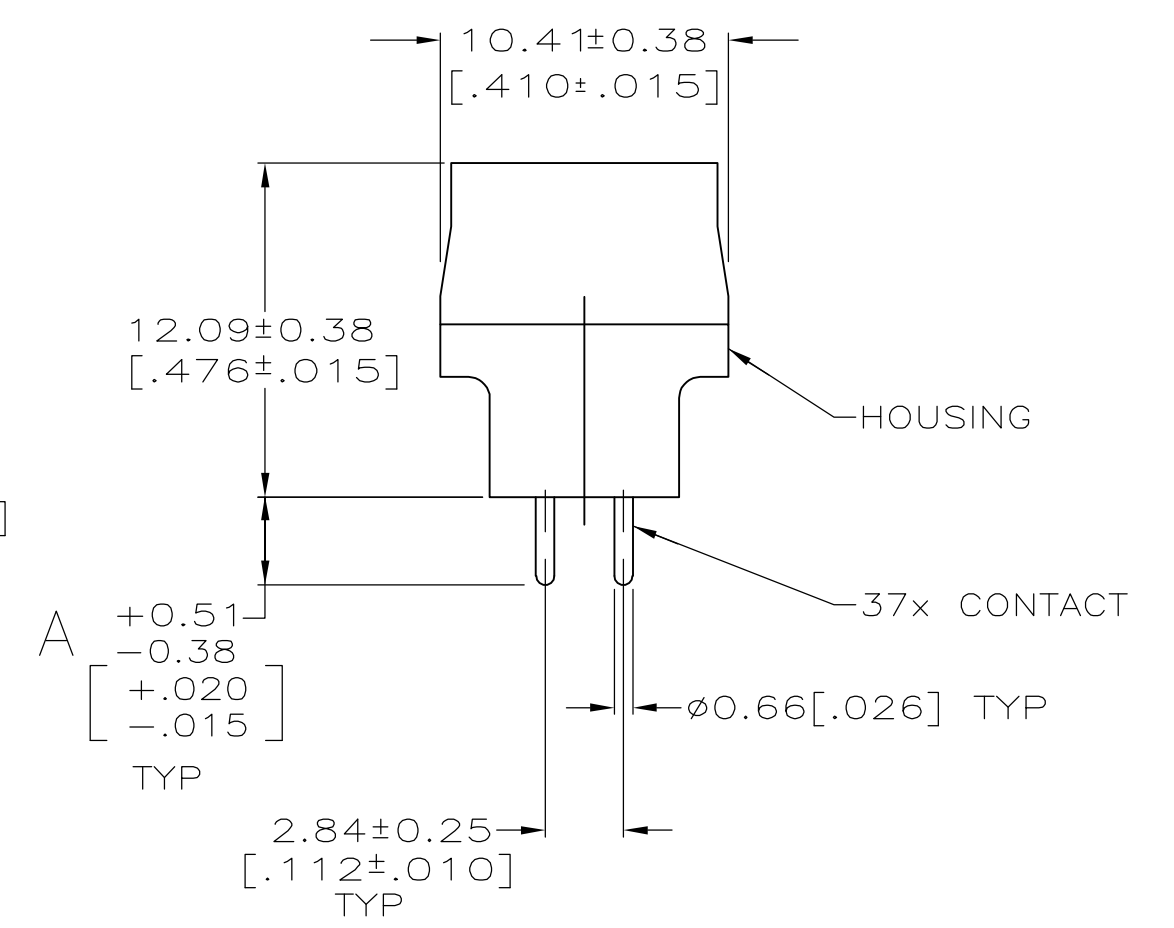
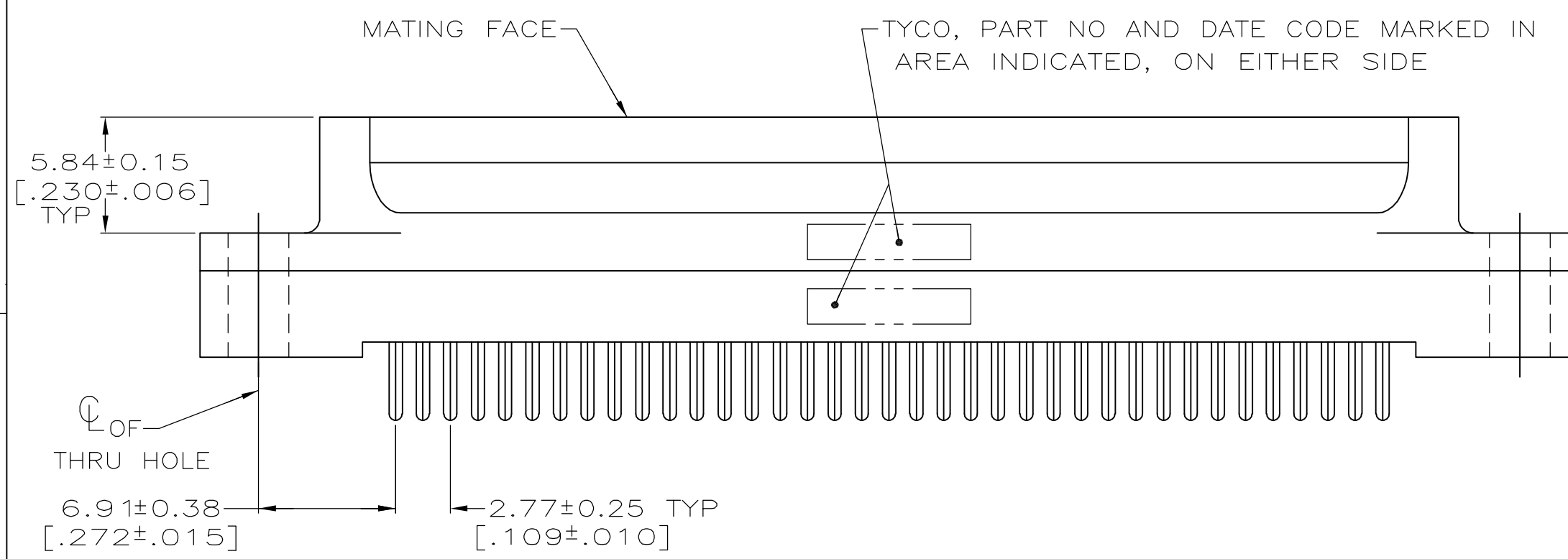


LOC	DIST	REVISIONS			
P	LTR	DESCRIPTION	DATE	OWN	APVD
GP	00	0	RELEASED PER EC 0S13-0087-05	12SEP05	GP JG



- 1 HOUSING: BLACK POLYESTER, UL 94V-0 RATED; CONTACTS: BRASS
- 2 CONTACTS: GOLD PLATED FOR A LENGTH OF 3.81 [.150] MIN FROM MATING END, GOLD FLASH IN MATED AREA, 2.54 μm [.000100] MIN TIN ON OPPOSITE END, ALL OVER 1.27 μm [.000050] MIN NICKEL.



RECOMMENDED PC BOARD MOUNTING DIMENSIONS

COPYRIGHT 2005 TYCO ELECTRONICS CORP ALL RIGHTS RESERVED

4.32	.170	5208009-3
3.18	.125	5208009-1
A		PART NO.

THIS DRAWING IS A CONTROLLED DOCUMENT.		DWN G.PETERS 12SEP05	Tyco Electronics Corporation Harrisburg, PA 17105-3608
DIMENSIONS: mm [INCHES]		CHK S.BOLASH 12SEP05	
TOLERANCES UNLESS OTHERWISE SPECIFIED:		APVD M.WALMSLEY 12SEP05	NAME
0 PLC ± -	1 PLC ± -	PRODUCT SPEC	PLUG ASSEMBLY, SIZE 4,
2 PLC ± 0.13 [.005]	3 PLC ± -	APPLICATION SPEC	37 POSN, VERTICAL,
4 PLC ± - ± 2'	ANGLES ± - ± 2'	FINISH	AMPLIMITE HD-20
MATERIAL	FINISH	WEIGHT	SIZE CAGE CODE DRAWING NO RESTRICTED TO
			A2 00779 G-5208009 -
CUSTOMER DRAWING			SCALE 4:1 SHEET 1 OF 1 REV 0

X-ON Electronics

Largest Supplier of Electrical and Electronic Components

Click to view similar products for [D-Sub Standard Connectors](#) category:

Click to view products by [TE Connectivity](#) manufacturer:

Other Similar products are found below :

[DCM37S732N](#) [DAM15P500](#) [DEV09S364GTLF](#) [DEM09P032N](#) [DDM50P732N](#) [DAM15S332N](#) [173109-2218](#) [173109-2466](#) [173109-2436](#)
[173109-2435](#) [56F706-005-LI](#) [56F711-015](#) [015-0341-000](#) [015-0372-008](#) [015-8544-011](#) [017041-0005](#) [020419-0104](#) [012-0515-000](#) [012-9507-](#)
[034](#) [012-9507-114](#) [012-9534-001](#) [020745-0008](#) [609-25P](#) [M24308/2-23Z](#) [M243082310F](#) [M243082410F](#) [M243082411F](#) [M24308/4-21](#)
[CT1A18-11PSA206](#) [CT1N36-5SC](#) [CT2-16S-17PS](#) [CT2-20-15PCAU](#) [CT2-24-12PS](#) [CT2-24-28PSF127A206](#) [CT2-32-9PC](#) [CT6F9767-14-4-](#)
[14S-5PC](#) [CT6FA10SL-4PS](#) [CT7-18-10SC](#) [CT7-18-10SCAU](#) [CT7-18-12SCAU](#) [CT7-18-1PC](#) [CT7-18-1PCAU](#) [CT7-18-21SCAU](#) [M83513/01-](#)
[FC](#) [M83723/76W24619 L/C](#) [M85049/48-3-2F](#) [69001-865](#) [6STD09PCM99B70X](#) [6STD09SCM99B30X](#) [6STD09SCT99S40X](#)