

EK EKPE 130 G



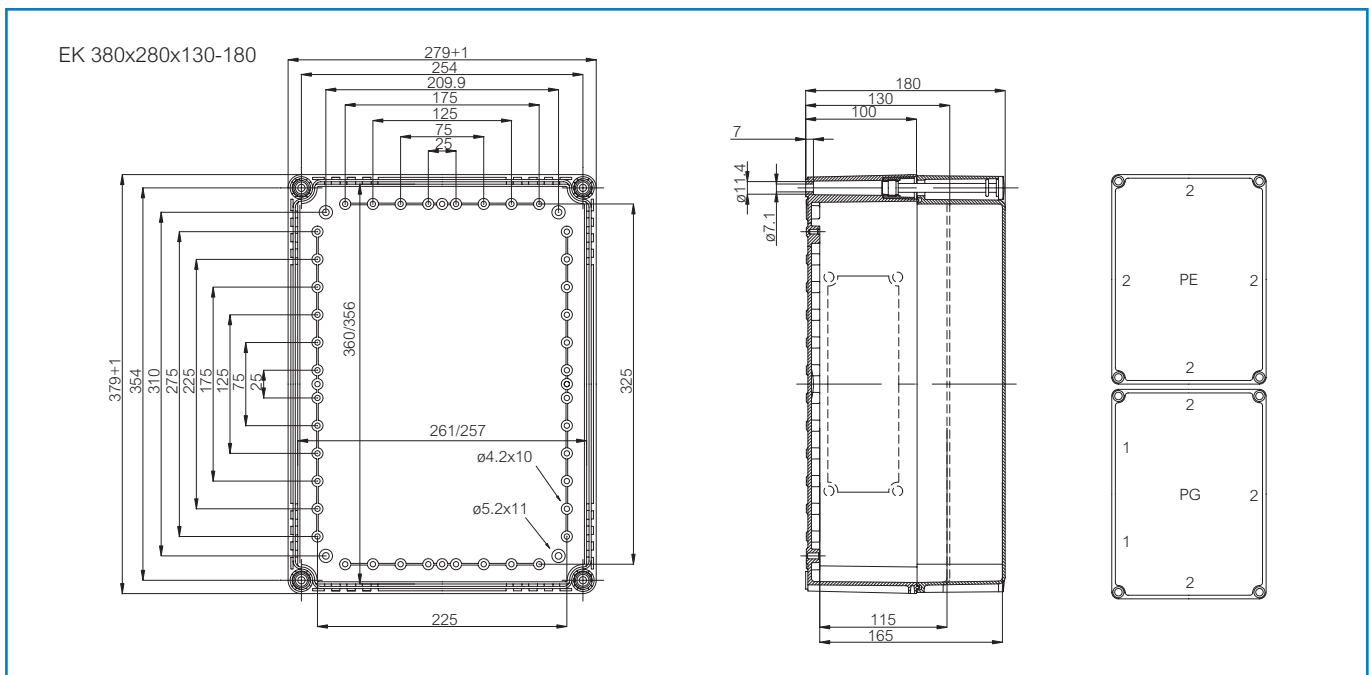
Sample photo

Order symbol: EKPE 130 G
Product nbr: 2538043
Description: Enclosure, PC
Remarks: Grey cover

EAN: 6418074013583
El. number:
Finland: 3425421
Italy: 7501045
Sweden: 2538043
Norway:

Including: Flanged Base with screws for mounting plate/DIN-rail, cover with PUR gasket and polyamide cover screws.

Dimensions:		Length	Width	Height	Rating:
mm:		380	280	130	Ingress Protection (EN 60529): IP 66/67
inch:		15.0	11.0	5.1	Impact Resistance (EN 62262): IK 08
Materials:					Electrical insulation: Totally insulated
Material:		Polycarbonate			Halogen free (DIN/VDE 0472, Part 815): Yes
Base colour:		RAL 7035			UV resistance: UL 508
Cover colour:		RAL 7035			Flammability Rating (UL 746 C 5): UL 746C 5V
Cover screws material:		Polyamide			Glow Wire Test (IEC 695-2-1) °C: 960
Cover screws colour:		Grey			NEMA Class: NEMA 1, 3, 3S, 4, 4X, 6, 6P, 12
Gasket material:		Polyurethane			
Temperatures:					Certificates:
Short term:		-40 ... 120 °C			Germanischer Lloyd (GL)
Continuous:		-40 ... 80 °C			Underwriters Laboratories
Short term:		-40 ... 250 °F			Det Norske Veritas
Continuous:		-40 ... 175 °F			Bureau Veritas
Accessories:					Fimko
EKPE		Base, PC			Lloyds Register of Shipping (LR)
EKPG		Base, PC			Europe EN 62208: 2003
EKP 30-G		Cover			UL Canada
EKP 80-G		Cover			Gost R
EKP 30-T		Cover			
EKP 80-T		Cover			
EKPVT		Mounting plate			
EKPXT		Mounting plate Pertinax			
EKV 22		DIN-35 Mounting rail			
EKV 32		DIN-35 Mounting rail			
EKPZR		Extension frame			



X-ON Electronics

Largest Supplier of Electrical and Electronic Components

Click to view similar products for [Mounting Fixings](#) category:

Click to view products by [Fibox](#) manufacturer:

Other Similar products are found below :

[007310](#) [007541](#) [6-141-P](#) [620HA038NF09](#) [620HA038NF11](#) [71-074914-006](#) [71-146610-6H](#) [712HA170B23128-N](#) [75-69116-8S](#) [75-69211-3P](#)
[75-69224-28P](#) [75-69224-5S](#) [770-006A109](#) [770-006A109R](#) [770-006A207](#) [770-006A208W1](#) [770-006A209](#) [770-006A306](#) [770-006A703W1](#)
[770-006A704](#) [770-006A704W1](#) [770-006A705](#) [770-006A706](#) [770-006A706W1](#) [770-006A707](#) [770-006A709](#) [770-007A203](#) [770-007A203W1](#)
[770-007A204W1](#) [770-007A207W1](#) [770-007A703](#) [770-007A704W1](#) [770-007A706](#) [770-007A707W1](#) [770-010Y208](#) [770-010Y308](#) [770-](#)
[010Y705](#) [770-010Y706](#) [770-010Y707W1](#) [770-011T201](#) [770-011T203](#) [770-011T701W1](#) [770-011T702](#) [770-011T702W1](#) [770-011T703](#) [770-](#)
[013311](#) [770-013312](#) [770-013709](#) [770-013711](#) [770-013711W1](#)