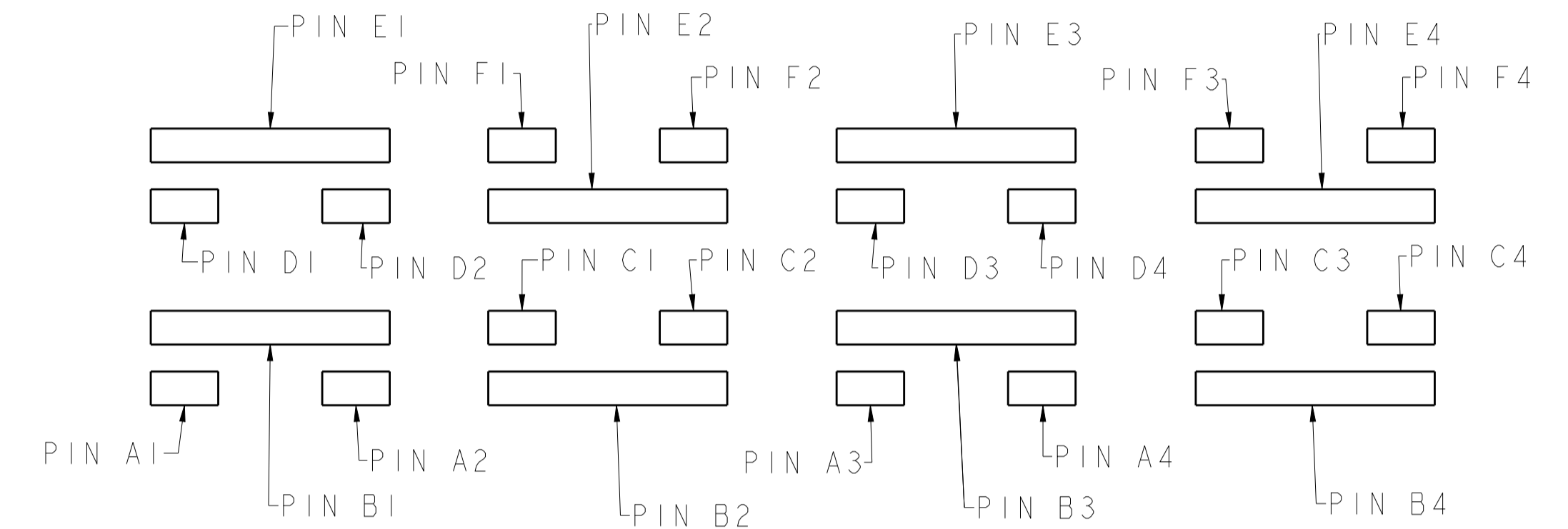
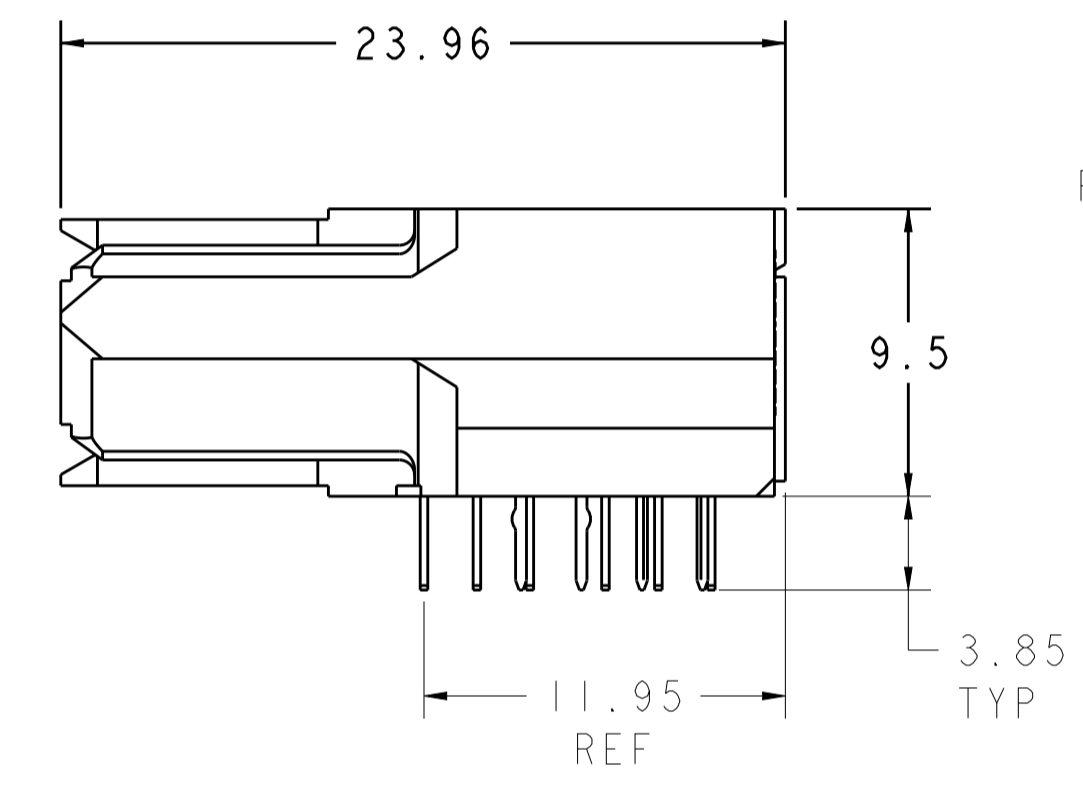
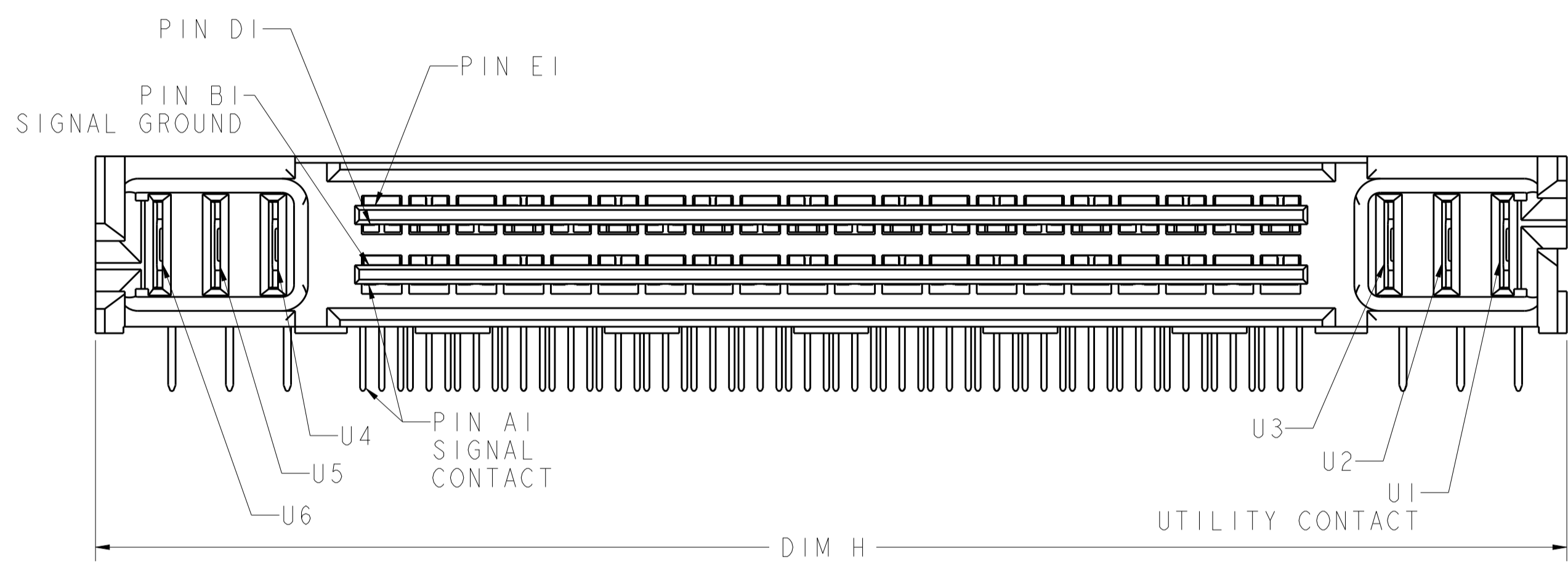
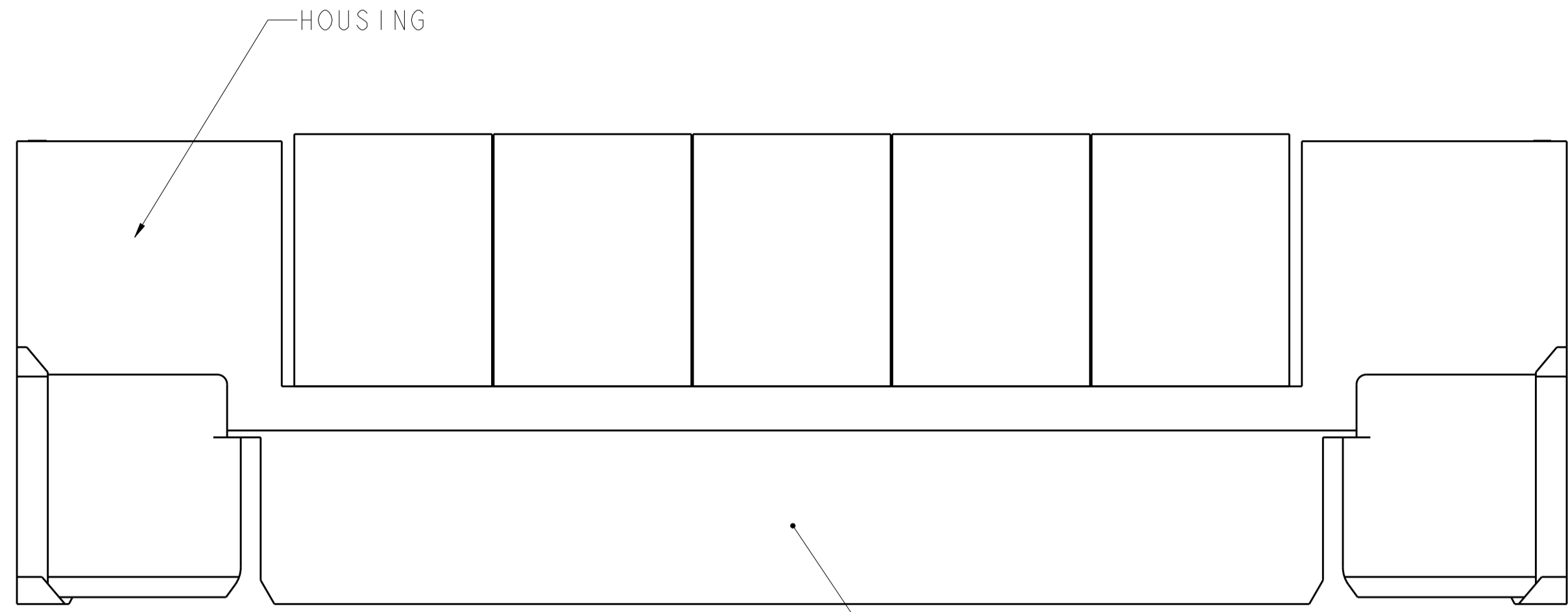


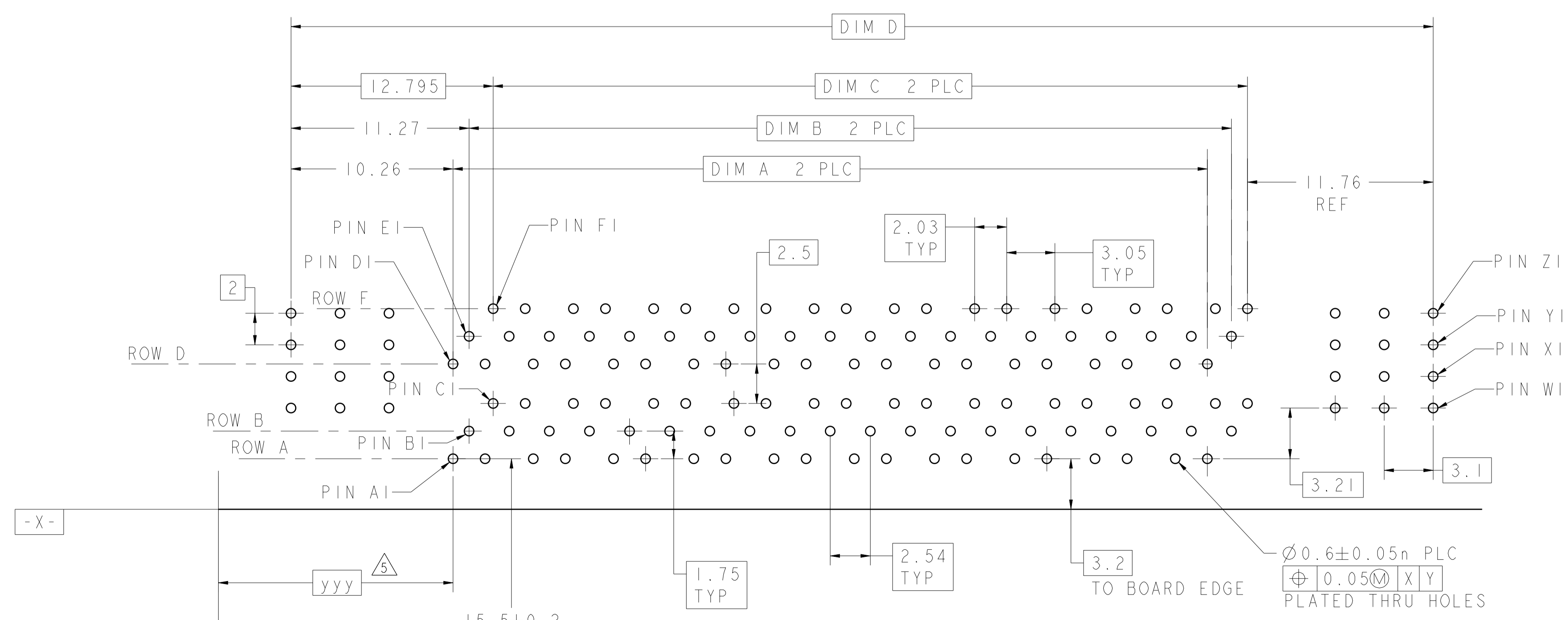
REVISIONS					
P	LTN	DESCRIPTION	DATE	DMN	APVD
B		REVISED PER ECO-08-015957	18AUG2008	ZMR	EDB
C		REVISED PER ECO-10-012356	09DEC2010	CJV	EJB
D		ECO-15-006497	08APR2016	LL	SH
E		ECO-16-005926	19APR2016	LL	SH

- △ HOUSINGS; POLYESTER, UL 94V-0 RATED, NATURAL  
 SIGNAL AND SIGNAL GROUND CONTACTS: COPPER ALLOY  
 UTILITY CONTACTS: PHOSPHOR BRONZE
- △ UTILITY CONTACTS: 0.76µm MIN GOLD IN CONTACT AREA,  
 2.54µm MIN TIN ON PCB TAILS, OVER 1.27µm MIN NICKEL OVER ALL.  
 SIGNAL AND SIGNAL GROUND CONTACTS: 0.76µm MIN GOLD IN CONTACT AREA,  
 2.54µm MIN TIN ON PCB TAILS, OVER 1.27µm MIN NICKEL OVER ALL.
- 3. ROWS A, C, D, AND F ARE SIGNAL CONTACTS. ROWS B AND E ARE SIGNAL GROUND CONTACTS.
- △ CONNECTOR SIZE CAN ACCOMMODATE INDICATED QUANTITY OF DIFFERENTIAL PAIRS.
- △ DIMENSIONS PER CUSTOMER BOARD LAYOUT.
- △ COMPANY LOGO IN APPROXIMATE AREA SHOWN.
- △ OBSOLETE PART.



BLOCK DIAGRAM MATING FACE CONFIGURATION

LOADED UTILITY CONTACTS						
NO	NO	YES	YES	YES	YES	2-6367550-7
YES	YES	YES	YES	YES	YES	<del>6367550-9</del>
YES	YES	YES	YES	YES	YES	6367550-8
YES	YES	YES	YES	YES	YES	6367550-7
YES	YES	YES	YES	YES	YES	<del>6367550-6</del>
YES	YES	YES	YES	YES	YES	6367550-5
YES	YES	YES	YES	YES	YES	<del>6367550-4</del>
YES	YES	YES	YES	YES	YES	<del>6367550-3</del>
YES	YES	YES	YES	YES	YES	6367550-2
YES	YES	YES	YES	YES	YES	6367550-1
U6	U5	U4	U3	U2	U1	PART NUMBER



△	192	99.32	92.62	68.58	68.07	56	2-6367550-7
△	240	119.64	112.94	88.90	88.30	72	<del>6367550-9</del>
	216	109.48	102.78	78.74	78.23	64	6367550-8
△	192	99.32	92.62	68.58	68.07	56	6367550-7
△	168	89.16	82.46	58.42	57.91	48	<del>6367550-6</del>
	144	79.00	72.30	48.26	47.75	40	6367550-5
△	120	68.84	62.14	38.10	37.59	32	<del>6367550-4</del>
△	96	58.68	51.98	27.94	27.43	24	<del>6367550-3</del>
	72	48.52	41.82	17.78	17.27	16	6367550-2
	48	38.36	31.66	7.62	7.11	8	6367550-1
	N	H	D	B	A OR C	DIFF PAIRS	PART NUMBER
		DIM	DIM	DIM	DIM	△	

SPACING TO ADAPTER BOARD CONNECTOR PIN AI LOCATION

RECOMMENDED PC BOARD FOOTPRINT COMPONENT SIDE SHOWN SCALE: 5:1

TO BOARD EDGE  
 Ø0.6±0.05n PLC  
 ⊕ 0.05 X Y  
 PLATED THRU HOLES

THIS DRAWING IS A CONTROLLED DOCUMENT. DWG: VAN SCIO, 09SEP05  
 CHK: E. BRIANT, 09SEP05  
 APVD: E. BRIANT, 09SEP05

TE Connectivity

NAME: Z-DOK+ HOST BOARD CONNECTOR ASSEMBLY, 8-72 SIGNAL DIFF. PAIR, 3 UTILITY CONTACTS PER SIDE

PRODUCT SPEC: 108-1985  
 APPLICATION SPEC: 114-13068

SIZE: A1  
 CAGE CODE: 6367550  
 DRAWING NO: 100779

MATERIAL: 1  
 FINISH: 2

RESTRICTED TO: 1  
 SCALE: 4:1  
 SHEET: 1 OF 1  
 REV: E

## X-ON Electronics

Largest Supplier of Electrical and Electronic Components

*Click to view similar products for [High Speed/Modular Connectors](#) category:*

*Click to view products by [TE Connectivity](#) manufacturer:*

Other Similar products are found below :

[2332816-1](#) [89006-1137LF](#) [650827-1](#) [65762-001LF](#) [73474-201LF](#) [74040-1346](#) [74075-0267](#) [1410191-1](#) [1410337-1](#) [1410368-3](#) [1410964-2](#)  
[1410367-3](#) [1410971-4](#) [1467833-1](#) [2000877-1](#) [2000878-1](#) [2041314-1](#) [2065387-1](#) [2187307-1](#) [2187462-1](#) [2226278-6](#) [KA81-07](#) [91290-101LF](#)  
[163P](#) [1934290-1](#) [2000875-1](#) [2065917-1](#) [2102736-2](#) [FSR-40](#) [2169868-2](#) [2226279-2](#) [22354-8](#) [437-5040-000](#) [5-1393565-0](#) [532449-3](#) [532803-](#)  
[2](#) [34745-0001](#) [0736440217](#) [1-1393708-5](#) [72388-0021LF](#) [73774-1000](#) [740401386](#) [532939-1](#) [5-531355-3](#) [5532901-3](#) [85838-180LF](#)  
[HM1S43TRR460H6PLF](#) [0760205010](#) [1-966831-4](#) [3-1469268-7](#)