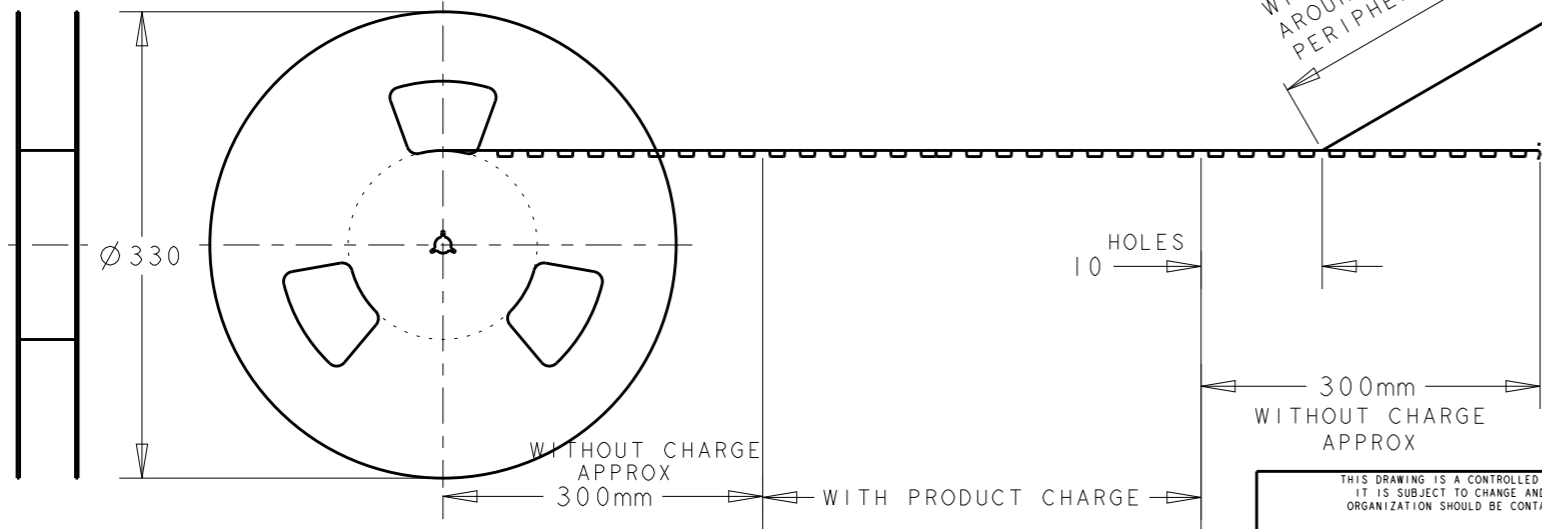
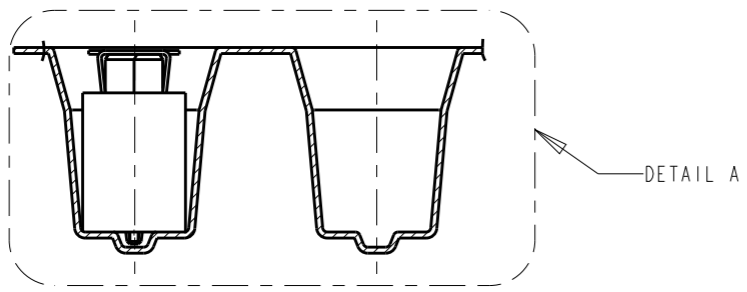
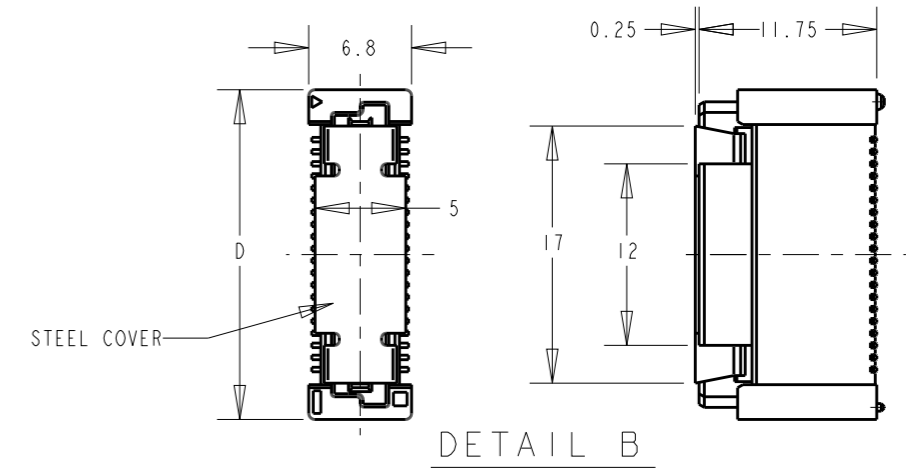
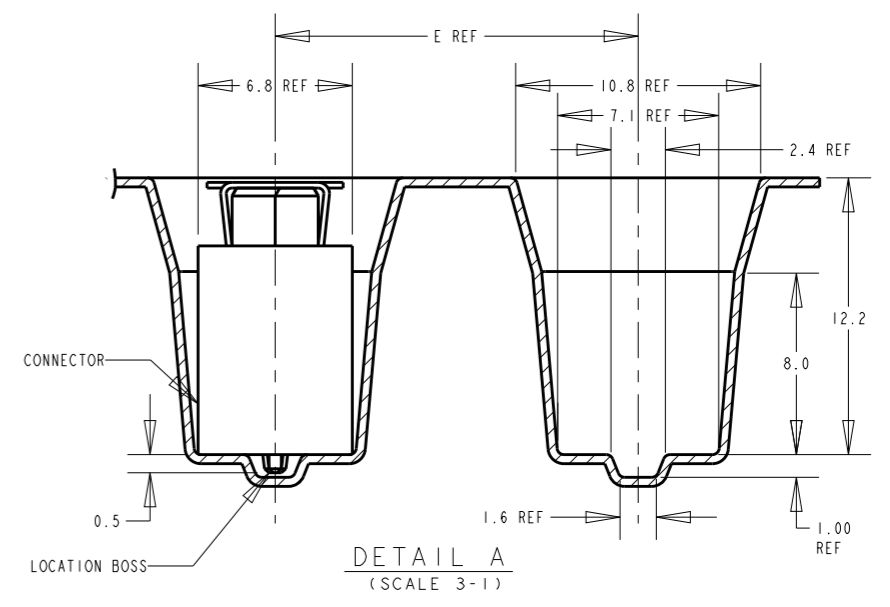
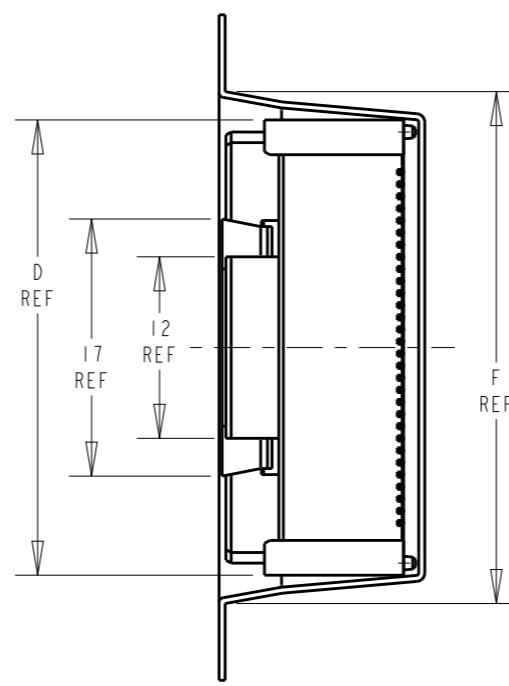
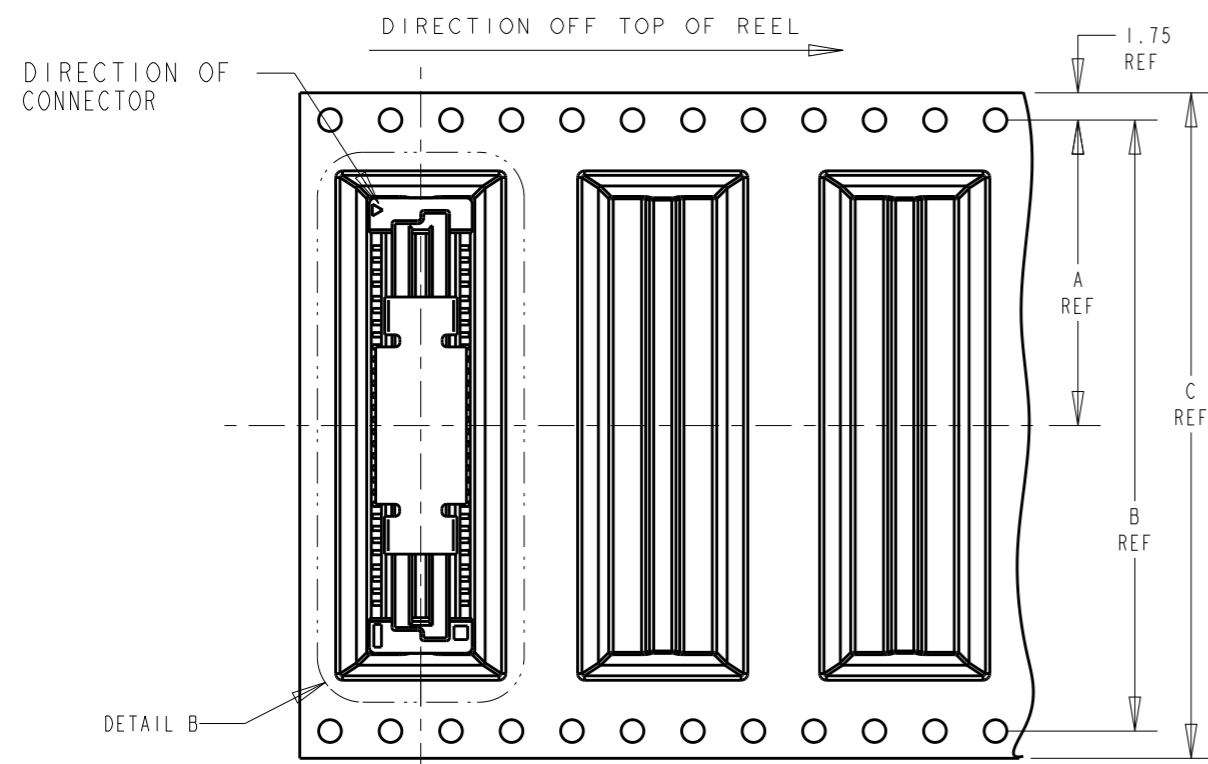


THIS DRAWING IS UNPUBLISHED. RELEASED FOR PUBLICATION .19
 BY AMP INCORPORATED. ALL RIGHTS RESERVED.

LOC		DIST		REVISIONS					
DY		-		P	LTR	DESCRIPTION	DATE	DWN	APVD
				A		REVISED PER ECO-17-018857	05NOV2017	R.L	H.L

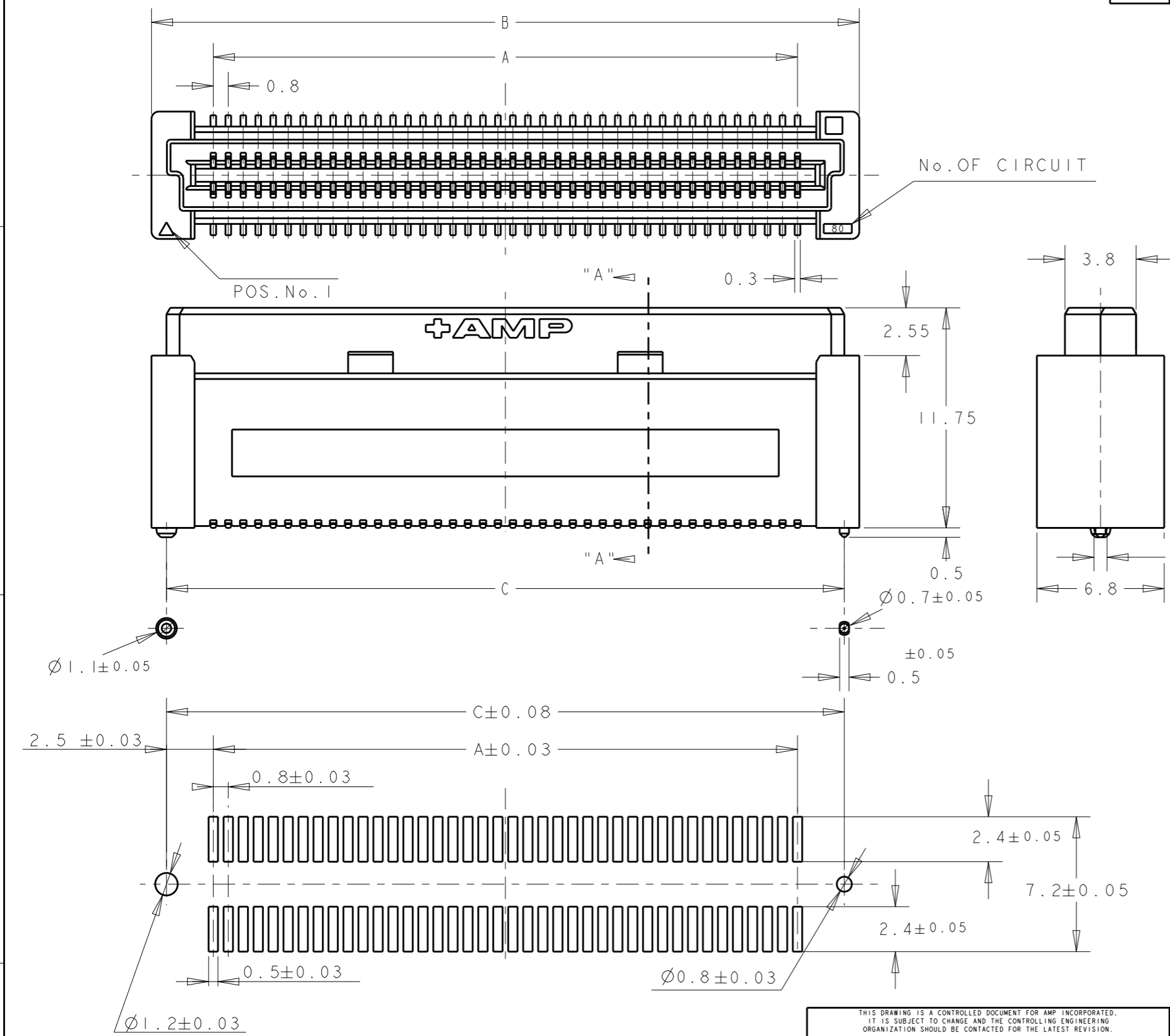


AVAILABLE	200	81.8	16	77.8	104	100.4	50.2	180	0-5084618-9
	200	73.8	16	69.8	88	84.4	42.2	160	0-5084618-8
	200	65.8	16	61.8	88	84.4	42.2	140	0-5084618-6
	200	57.8	16	53.8	72	68.4	34.2	120	0-5084618-5
	200	49.8	16	45.8	72	68.4	34.2	100	0-5084618-4
	200	41.8	16	37.8	56	52.4	26.2	80	0-5084618-3
	200	33.8	16	29.8	44	40.4	20.2	60	0-5084618-2
	200	25.8	16	21.8	44	40.4	20.2	40	0-5084618-1
REMARKS	QTY	F	E	D	C	B	A	POS	PART NO.

THIS DRAWING IS A CONTROLLED DOCUMENT FOR AMP INCORPORATED. IT IS SUBJECT TO CHANGE AND THE CONTROLLING ENGINEERING ORGANIZATION SHOULD BE CONTACTED FOR THE LATEST REVISION.		DWN 16SEP04 FLORENCE TAN		AMP Tyco Electronics (Singapore) Pte. Ltd.	
DIMENSIONS: mm		TOLERANCES UNLESS OTHERWISE SPECIFIED: 0 PLC ±- 1 PLC ±0.20 2 PLC ±0.25 3 PLC ±- 4 PLC ±- ANGLES ±-		NAME RECEPTACLE ASS'Y 13H TYPE 30Au (0.5 BOSS LENGTH) FOR FH 0.8mm B-T-B CONN. ON TAPING	
MATERIAL -		FINISH -		PRODUCT SPEC 108-5390 APPLICATION SPEC 114-5254	
WEIGHT -		CUSTOMER DRAWING		SIZE A3 CAGE CODE 00779 DRAWING NO C-5084618	
				SCALE 2:1 SHEET 1 OF 2 REV A	

THIS DRAWING IS UNPUBLISHED. RELEASED FOR PUBLICATION .19 .
 © COPYRIGHT 19 BY AMP INCORPORATED. ALL RIGHTS RESERVED.

LOC	DIST	REVISIONS					
DY	-	P	LTR	DESCRIPTION	DATE	DWN	APVD
				see sheet 1			



NOTES:

- 1. MATERIAL: HOUSING: L.C.P. (HIGH TEMP. THERMOPLASTIC) UL 94V-0, NATURAL. CONTACT: BERYLIUM COPPER.
- 2. FINISH: CONTACT AREA: 0.00076 MIN GOLD ON 0.0013 MIN ALL OVER NICKEL. SOLDERING AREA: 0.002 MIN MATTE-TIN
- 3. POSITION SERIES: SEE TABLE. (SHEET 2)
- 4. CONN STACK HEIGHT COMBINE OF PLUG "Y" H VS REC "X" H. STACK HEIGHT = Y + X - 5
- 5. FOR STEEL COVER PICK AND PLACE VERSION, DESCRIPTION PRINTING ON TUBE IS: "REC ASS'Y (H=13mm), W/ STEEL COVER, 0.8mm BTB STACKING CONN"

76.20	77.80	71.20	180	0-	-9
68.20	69.80	63.20	160	0-	-8
60.20	61.80	55.20	140	0-	-6
52.20	53.80	47.20	120	0-	-5
44.20	45.80	39.20	100	0-	-4
36.20	37.80	31.20	80	0-	-3
28.20	29.80	23.20	60	0-	-2
20.20	21.80	15.20	40	0-	-1
C	B	A	POS.	PART No.	

RECOMMENDED P.C. BOARD LAYOUT

(A) ADD CONNECTOR INFORMATION SHEET

THIS DRAWING IS A CONTROLLED DOCUMENT FOR AMP INCORPORATED. IT IS SUBJECT TO CHANGE AND THE CONTROLLING ENGINEERING ORGANIZATION SHOULD BE CONTACTED FOR THE LATEST REVISION.

DIMENSIONS:	TOLERANCES UNLESS OTHERWISE SPECIFIED:	DWN	16SEP04	AMP Tyco Electronics (singapore) Pte.Ltd			
mm		CHK	FLORENCE TAN				
		APVD	ERIC TNG				
		PRODUCT SPEC	SEIFONG				
	0 PLC ±-	APPLICATION SPEC	108-5390	NAME RECEPTACLE ASS'Y 13H TYPE 30Au (0.5 BOSS LENGTH) FOR FH 0.8mm B-T-B CONN. ON TAPING			
	1 PLC ±0.20	WEIGHT	114-5254				
	2 PLC ±0.25	CUSTOMER DRAWING		SIZE	CAGE CODE	DRAWING NO	
	3 PLC ±-			A3	00779	C-5084618	
	4 PLC ±-			SCALE	SHEET	OF	REV
	ANGLES ±-			2:1	2	2	A
MATERIAL	FINISH						