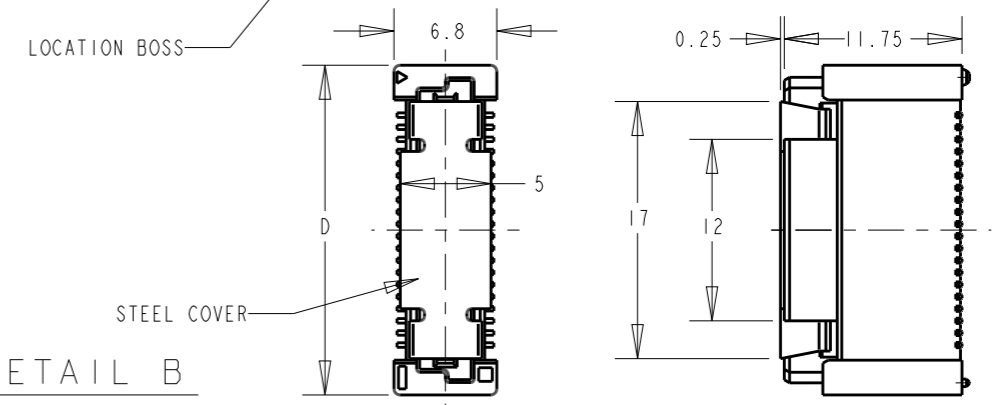
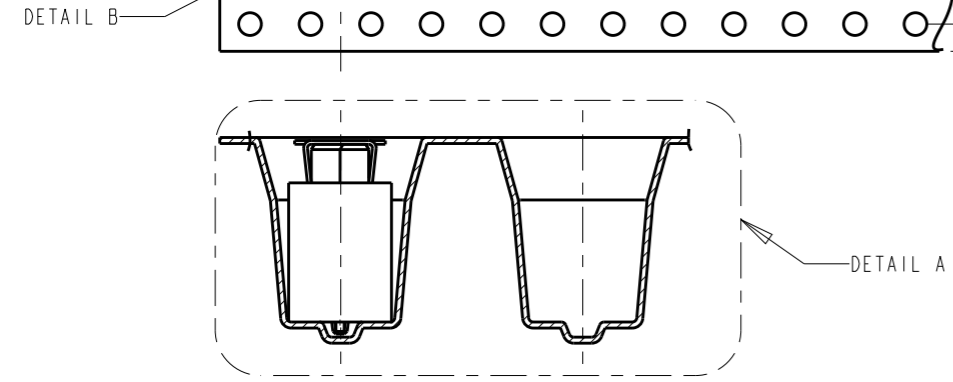
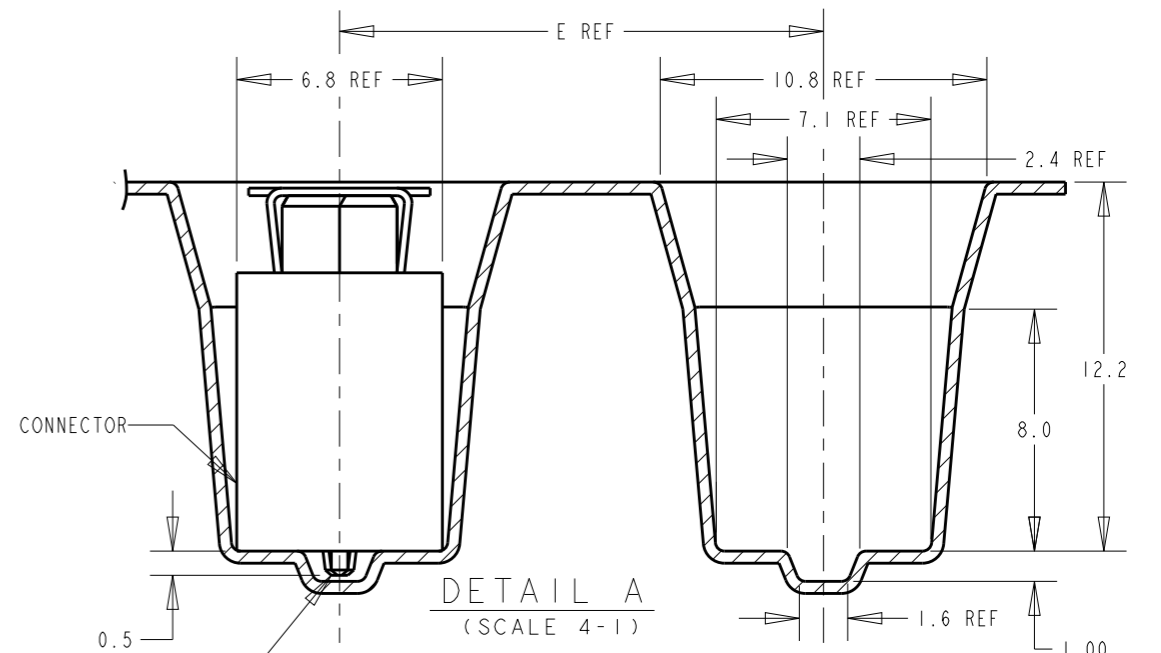
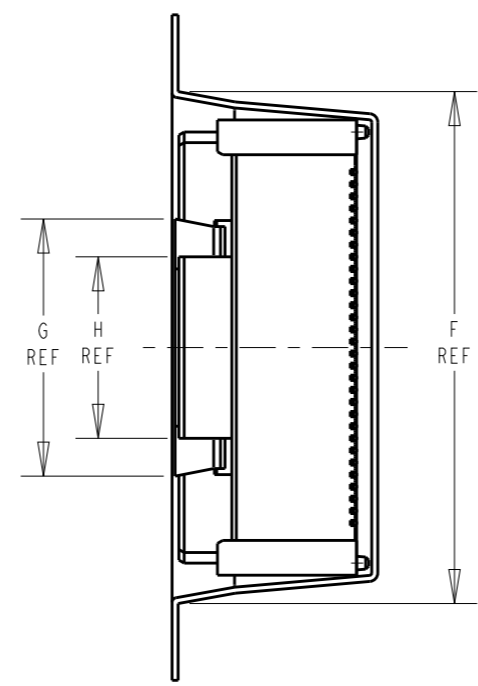
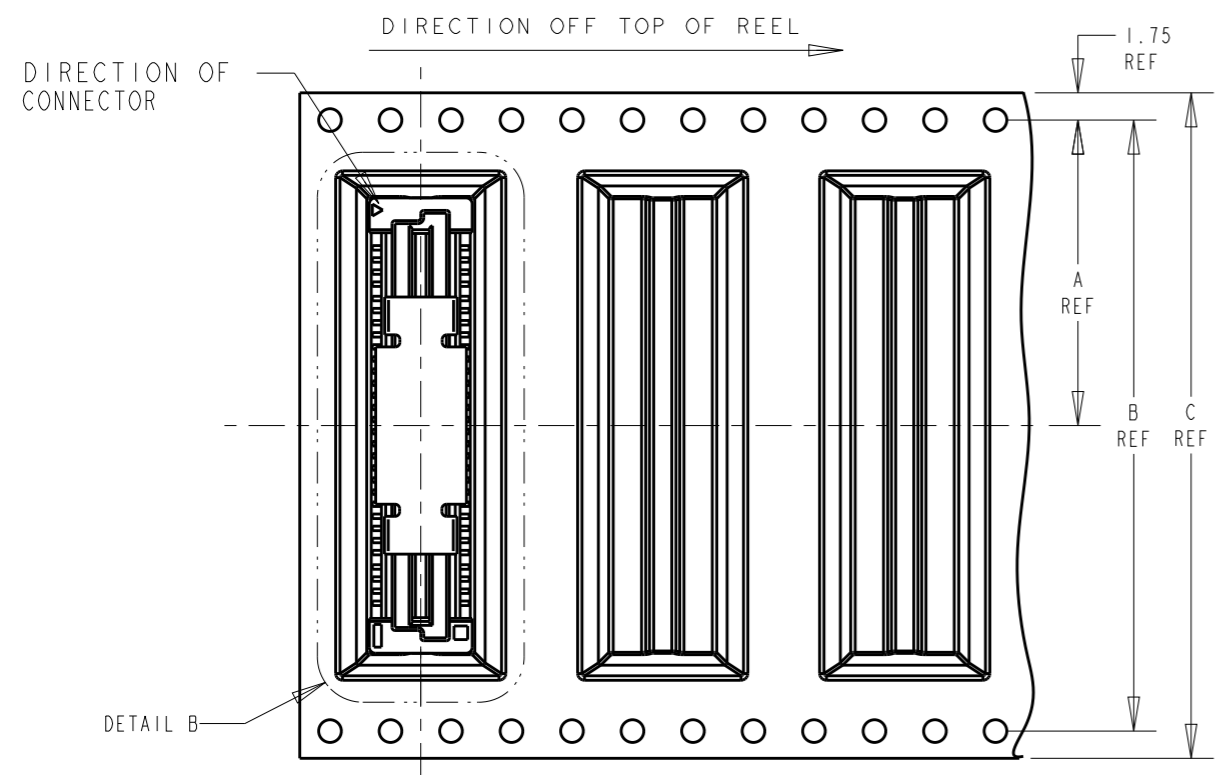
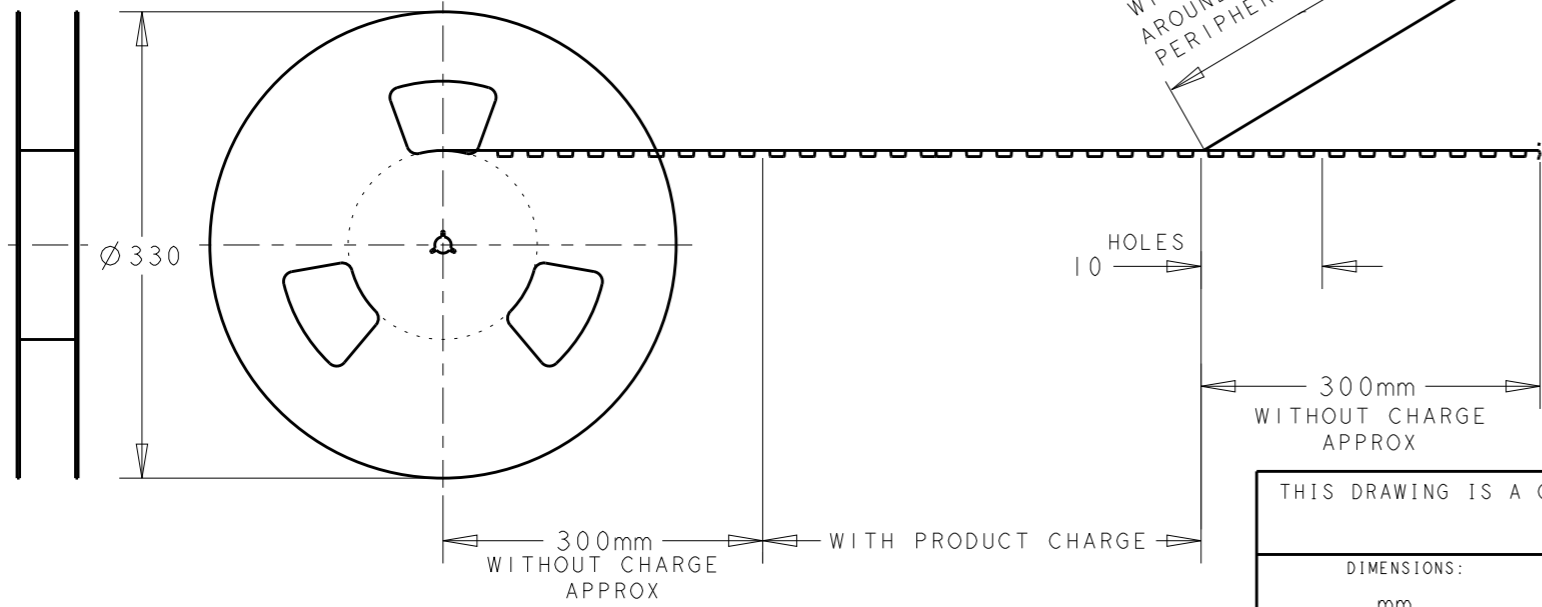


THIS DRAWING IS UNPUBLISHED. RELEASED FOR PUBLICATION 20
 © COPYRIGHT 20 BY - ALL RIGHTS RESERVED.

REVISIONS					
P	LTR	DESCRIPTION	DATE	DWN	APVD
RI		REVISED PER ECO-17-018044	20NOV2017	RL	HL



WINDING THE COVER TAPE AROUND THE OUTER PERIPHERY IN A TURN.



200	12	17	89.8	16	85.8	104	100.4	50.2	200	1-5084616-0
200	12	17	81.8	16	77.8	104	100.4	50.2	180	5084616-9
200	12	17	73.8	16	69.8	88	84.4	42.2	160	5084616-8
200	12	17	65.8	16	61.8	88	84.4	42.2	140	5084616-6
200	12	17	57.8	16	53.8	72	68.4	34.2	120	5084616-5
200	12	17	49.8	16	45.8	72	68.4	34.2	100	5084616-4
200	12	17	41.8	16	37.8	56	52.4	26.2	80	5084616-3
200	12	17	33.8	16	29.8	44	40.4	20.2	60	5084616-2
200	12	17	25.8	16	21.8	44	40.4	20.2	40	5084616-1
QTY	H	G	F	E	D	C	B	A	POS	PART NO.

THIS DRAWING IS A CONTROLLED DOCUMENT.	
DIMENSIONS:	TOLERANCES UNLESS OTHERWISE SPECIFIED:
mm	
	0 PLC ±-
	1 PLC ±0.20
	2 PLC ±0.25
	3 PLC ±-
4 PLC ±-	
ANGLES ±-	
MATERIAL	FINISH

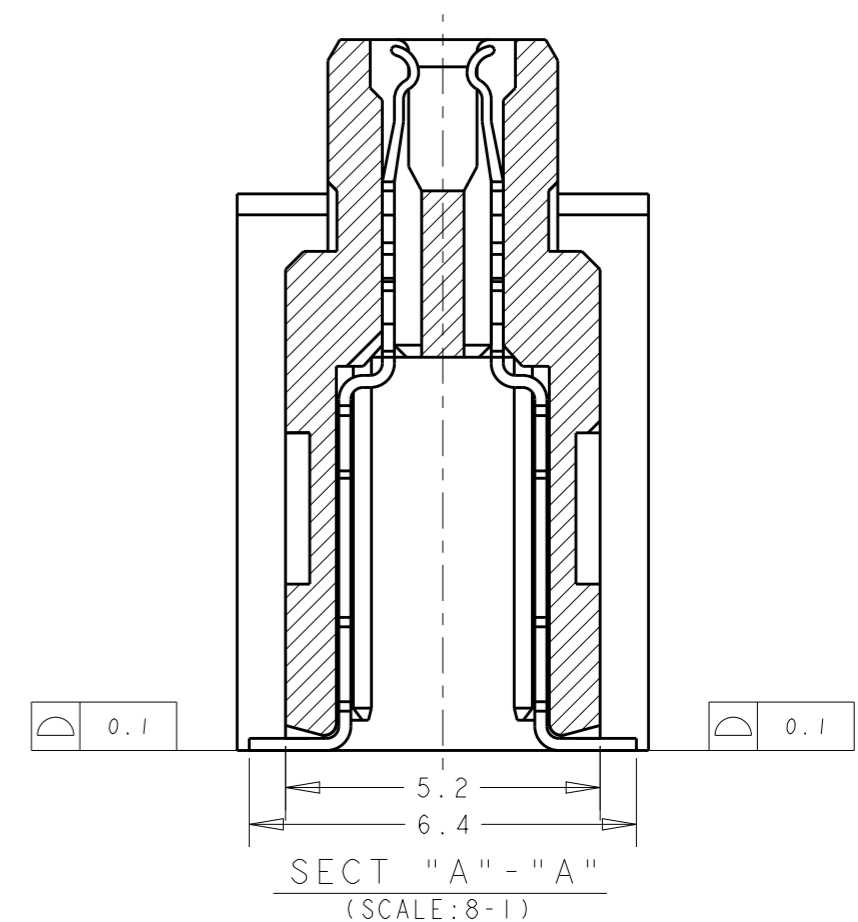
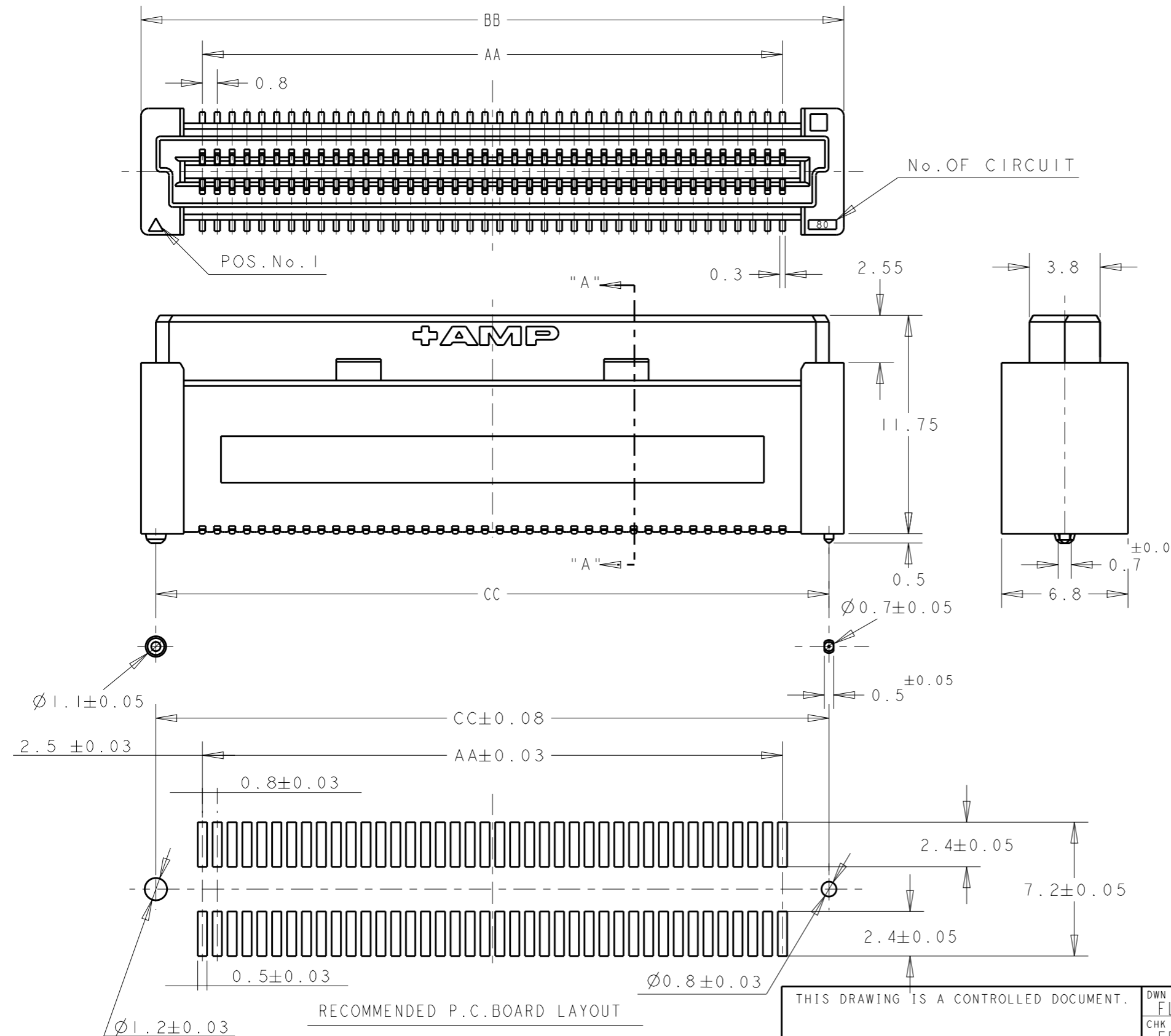
DWN	01SEP04
CHK	FLORENCE TAN
APVD	ERIC TNG
PRODUCT SPEC	SE LEONG
APPLICATION SPEC	108-5390
WEIGHT	114-5254
CUSTOMER DRAWING	

STE TE Connectivity			
NAME RECEPTACLE ASS'Y 13H TYPE (0.5 BOSS LENGTH) FOR FH 0.8mm B-T-B CONN. ON TAPING			
SIZE	CAGE CODE	DRAWING NO	RESTRICTED TO
A3	00779	5084616	-
SCALE 2:1		SHEET 1 OF 2	REV RI

200	12	17	57.8	16	53.8	72	68.4	34.2	5-5179010-5	120	9-5084616-5
200	12	17	49.8	16	45.8	72	68.4	34.2	5-5179010-4	100	9-5084616-4
QTY	H	G	F	E	D	C	B	A	CONNECTOR P/N	POS	PART NO.

THIS DRAWING IS UNPUBLISHED. RELEASED FOR PUBLICATION 20
 © COPYRIGHT 20 BY - ALL RIGHTS RESERVED.

REVISIONS				
P	LTR	DESCRIPTION	DATE	APVD



52.2	53.8	47.2	120	9-5084616-5
44.2	45.8	39.2	100	9-5084616-4
84.2	85.8	79.2	200	1-5084616-0
76.2	77.8	71.2	180	5084616-9
68.2	69.8	63.2	160	5084616-8
60.2	61.8	55.2	140	5084616-6
52.2	53.8	47.2	120	5084616-5
44.2	45.8	39.2	100	5084616-4
36.2	37.8	31.2	80	5084616-3
28.2	29.8	23.2	60	5084616-2
20.2	21.8	15.2	40	5084616-1
CC	BB	AA	POS	PART NO.

NOTES:
 1 MATERIALS:
 HOUSING: L.C.P (HIGH TEMP THERMO-PLASTIC)
 UL 94V-0, NATURAL.
 CONTACT: COPPER ALLOY.
 2 FINISH:
 ENGAGEMENT AREA: 0.0002 MIN GOLD
 SOLDERING AREA: 0.0020 MIN MATTE TIN
 UNDERCOAT: 0.0013 MIN NICKEL ALL OVER
 3. CONN STACK HEIGHT COMBINE OF PLUG "Y" H VS REC "X" H.
 STACK HEIGHT = Y + X - 5

THIS DRAWING IS A CONTROLLED DOCUMENT.

DIMENSIONS: mm	TOLERANCES UNLESS OTHERWISE SPECIFIED: 0 PLC ± 1 PLC ±0.20 2 PLC ±0.25 3 PLC ± 4 PLC ± ANGLES ±	DWN 01SEP04 FLORENCE TAN CHK ERIC TNG APVD SEIFONG PRODUCT SPEC 108-5390 APPLICATION SPEC 114-5254 WEIGHT -	TE Connectivity
MATERIAL -	FINISH -	CUSTOMER DRAWING	NAME RECEPTACLE ASS'Y 13H TYPE (0.5 BOSS LENGTH) FOR FH 0.8mm B-T-B CONN. ON TAPING
		SIZE A3	CAGE CODE 00779
		DRAWING NO C-5084616	RESTRICTED TO -
		SCALE 2:1	SHEET 2 OF 2
		REV R1	

X-ON Electronics

Largest Supplier of Electrical and Electronic Components

Click to view similar products for [Board to Board & Mezzanine Connectors](#) category:

Click to view products by [TE Connectivity](#) manufacturer:

Other Similar products are found below :

[10135583-642402LF](#) [89885-310LF](#) [589158040000018](#) [6-1393048-0](#) [68683-613](#) [MDF7-12DP-2.54DSA](#) [MDF7-18P-2.54DSA\(01\)](#) [MDF7-20DP-2.54DSA](#) [MDF7-26D-2.54DSA\(55\)](#) [MDF7-3P-2.54DSA\(01\)](#) [MDF7B-3P-2.54DSA\(55\)](#) [MDF7C-11P-2.54DSA\(55\)](#) [MDF7C-18P-2.54DSA\(55\)](#) [MDF7C-5P-2.54DSA\(01\)](#) [MDF7P-5P-2.54DSA\(55\)](#) [75234-0516](#) [FCN-230C068-11](#) [FCN-268F012-G/BD](#) [FCN-268F036-G/BD](#) [FCN-268M012-G/0D](#) [FCN-268M024-G/1D](#) [FCN-360C008-C](#) [FCN-360C040-C](#) [FCN-723J004/1](#) [MIS-048-01-F-D-DP-K](#) [832-10-034-10-001000](#) [93696-325LF](#) [11828-1FA](#) [AXK630345P](#) [18097-0013](#) [ICA-328STT](#) [2007042-2](#) [304400-2](#) [FCN-214Q030-G/0](#) [FCN-215Q040-G/0](#) [FCN-230C068-ESA](#) [FCN-234P048-G/0](#) [FCN-235D050-G/C](#) [FCN-360A3](#) [FCN-360C040-B](#) [210-93-314-41-105000](#) [2-22603-0](#) [379-064-521-202](#) [MDF7-12P-2.54DSA\(01\)](#) [MDF7-16P-2.54DS\(56\)](#) [MDF7-40DP-2.54DSA\(55\)](#) [MDF7-8P-2.54DSA\(55\)](#) [MDF7B-16P-2.54DSA\(55\)](#) [AXG720047](#) [5031084030](#)