

4

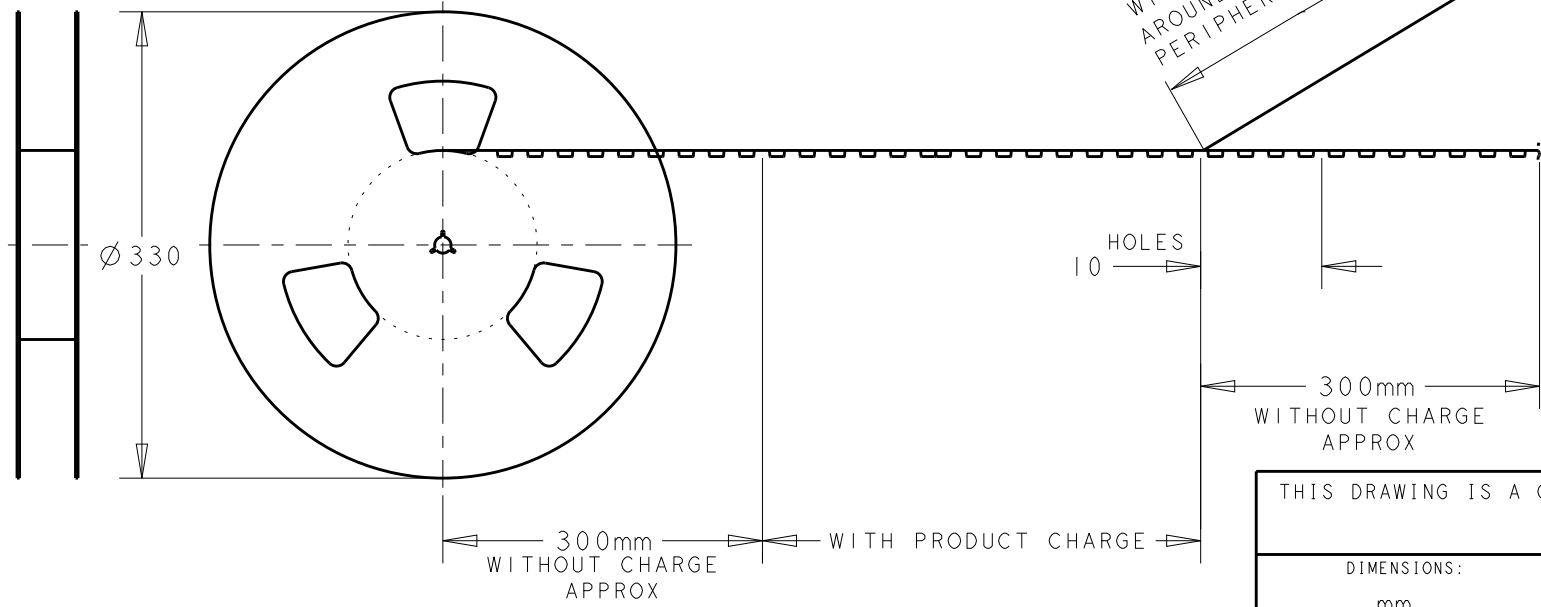
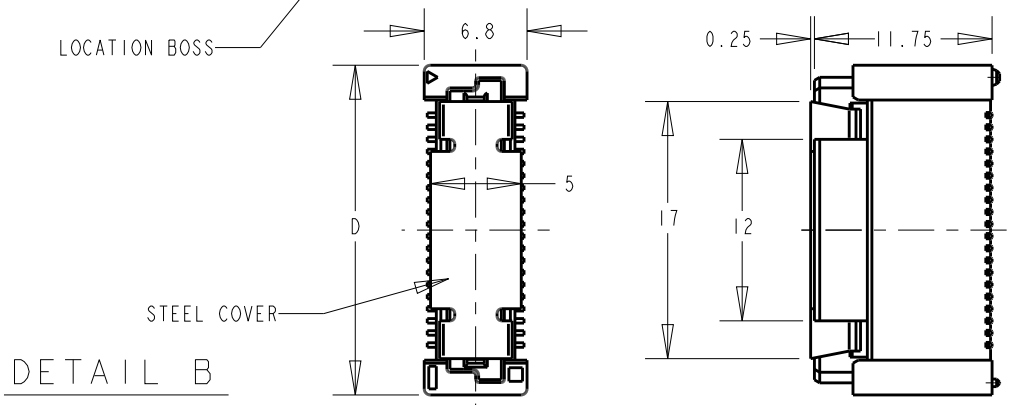
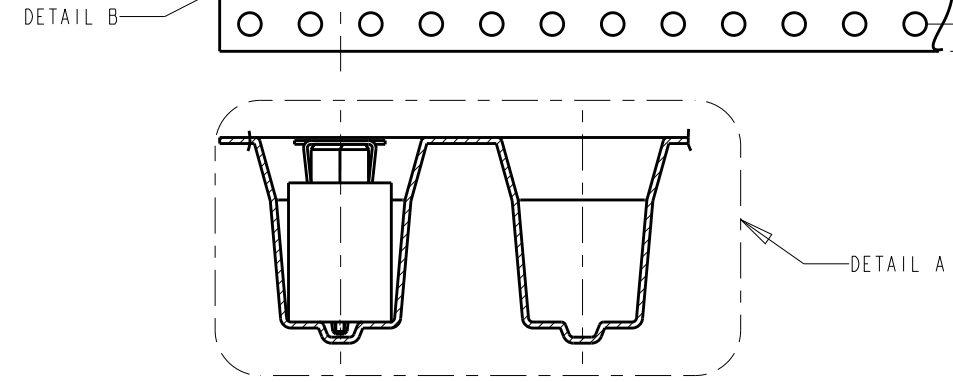
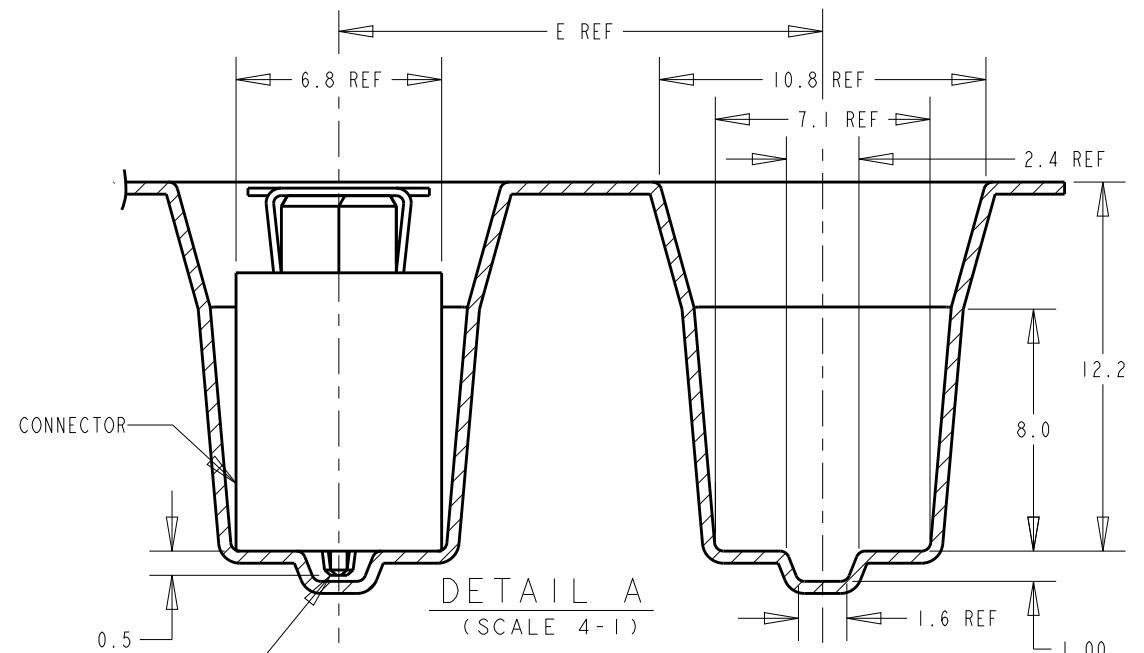
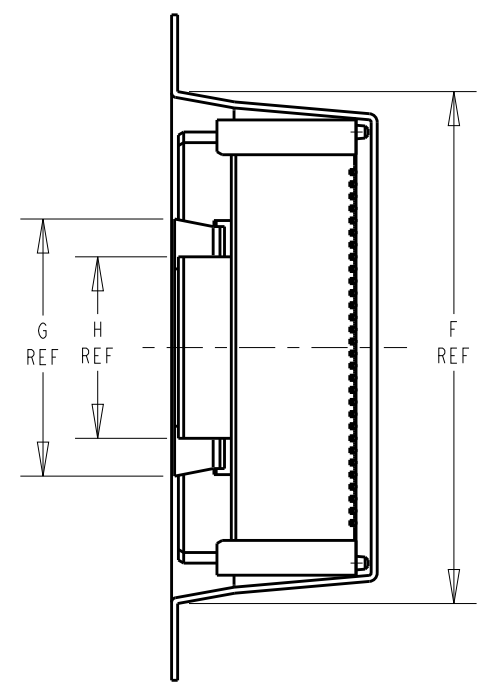
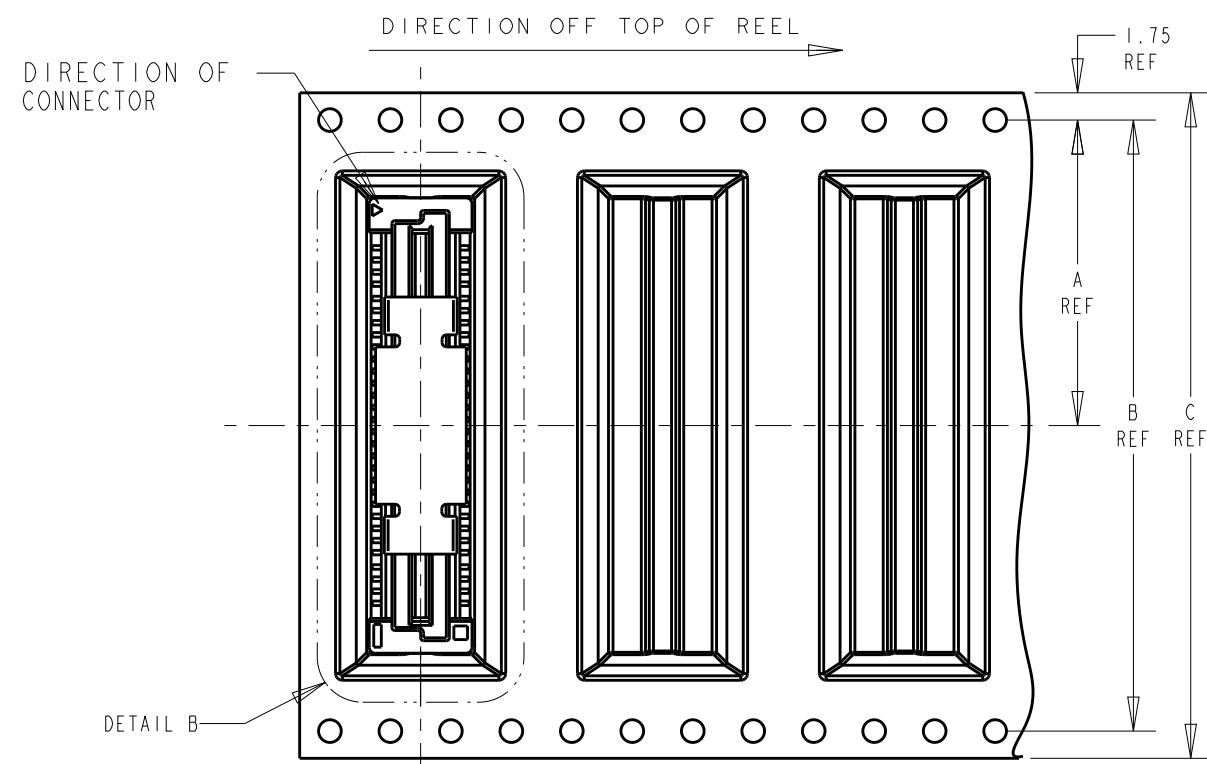
3

2

1

THIS DRAWING IS UNPUBLISHED. RELEASED FOR PUBLICATION 20
 © COPYRIGHT 20 BY - ALL RIGHTS RESERVED.

REVISIONS					
P	LTR	DESCRIPTION	DATE	DWN	APVD
RI		REVISED PER ECO-17-018044	20NOV2017	RL	HL



200	12	17	89.8	16	85.8	104	100.4	50.2	200	1-5084616-0
200	12	17	81.8	16	77.8	104	100.4	50.2	180	5084616-9
200	12	17	73.8	16	69.8	88	84.4	42.2	160	5084616-8
200	12	17	65.8	16	61.8	88	84.4	42.2	140	5084616-6
200	12	17	57.8	16	53.8	72	68.4	34.2	120	5084616-5
200	12	17	49.8	16	45.8	72	68.4	34.2	100	5084616-4
200	12	17	41.8	16	37.8	56	52.4	26.2	80	5084616-3
200	12	17	33.8	16	29.8	44	40.4	20.2	60	5084616-2
200	12	17	25.8	16	21.8	44	40.4	20.2	40	5084616-1
QTY	H	G	F	E	D	C	B	A	POS	PART NO.

200	12	17	57.8	16	53.8	72	68.4	34.2	5-5179010-5	120	9-5084616-5
200	12	17	49.8	16	45.8	72	68.4	34.2	5-5179010-4	100	9-5084616-4
QTY	H	G	F	E	D	C	B	A	CONNECTOR P/N	POS	PART NO.

THIS DRAWING IS A CONTROLLED DOCUMENT.

DWN: FLORENCE TAN (01SEP04)
 CHK: ERIC TNG
 APVD: SE LEONG

PRODUCT SPEC: 108-5390
 APPLICATION SPEC: 114-5254

WEIGHT: -

CUSTOMER DRAWING

SCALE: 2:1

SHEET: 1 OF 2

REV: RI

TE Connectivity

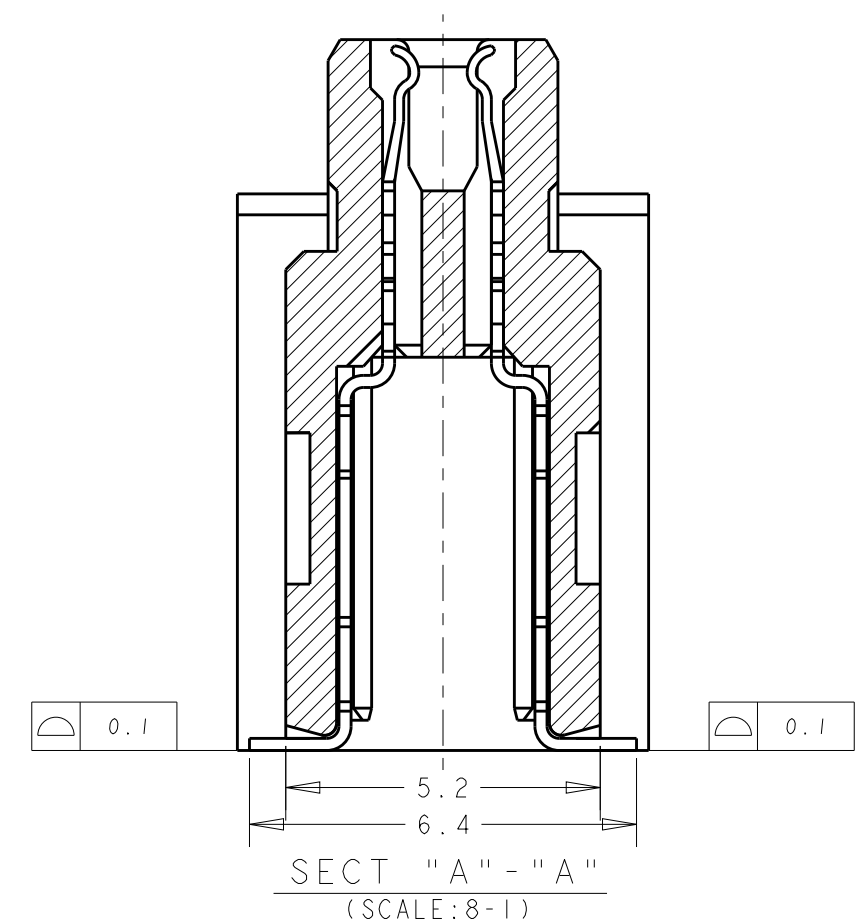
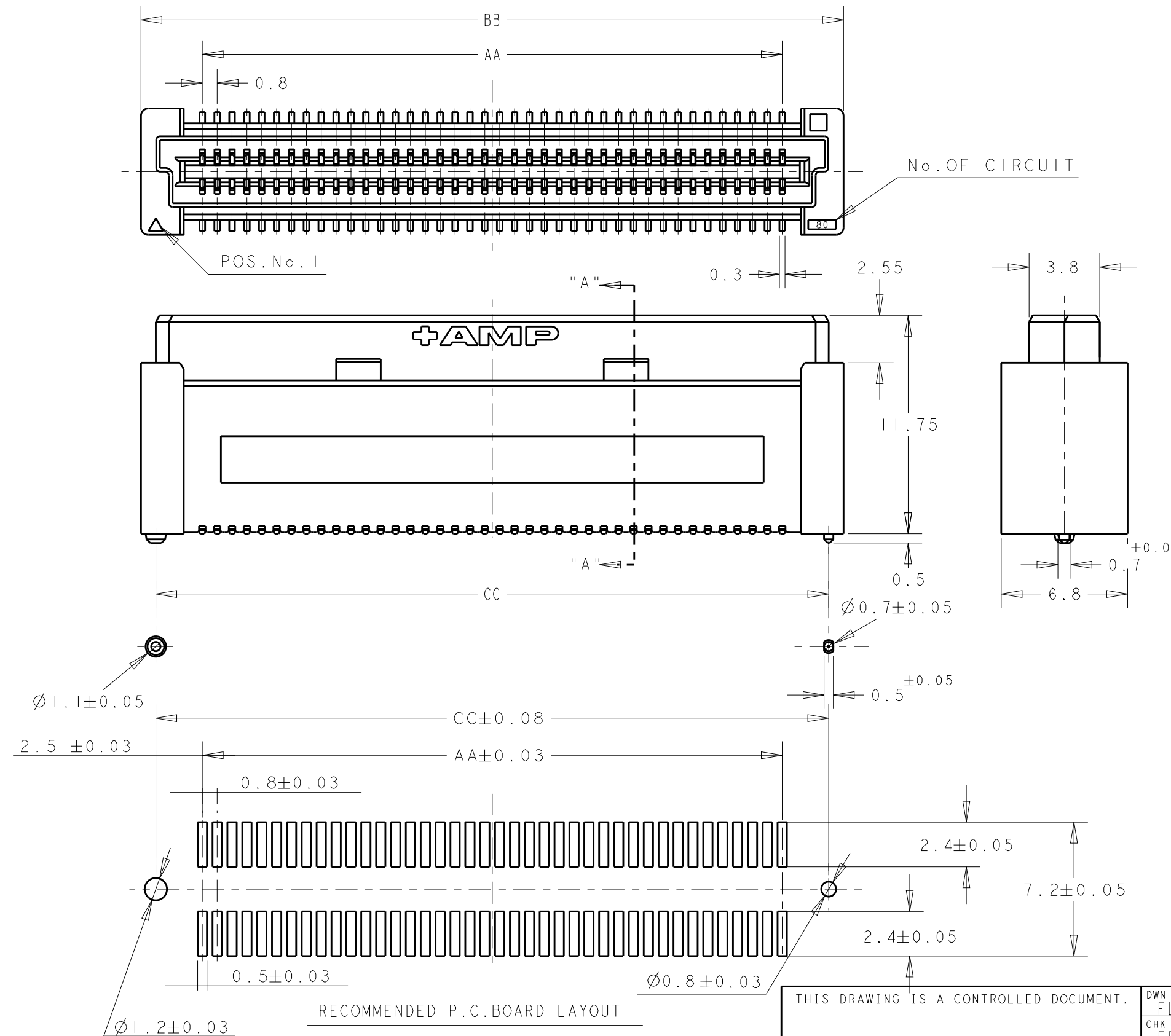
NAME: RECEPTACLE ASS'Y 13H TYPE (0.5 BOSS LENGTH) FOR FH 0.8mm B-T-B CONN. ON TAPING

SIZE: A3 | CAGE CODE: 00779 | DRAWING NO: 5084616 | RESTRICTED TO: -

DIMENSIONS:	TOLERANCES UNLESS OTHERWISE SPECIFIED:
mm	
	0 PLC ±-
	1 PLC ±0.20
	2 PLC ±0.25
	3 PLC ±-
	4 PLC ±-
	ANGLES ±-
MATERIAL	FINISH
-	-

THIS DRAWING IS UNPUBLISHED. RELEASED FOR PUBLICATION 20
 © COPYRIGHT 20 BY - ALL RIGHTS RESERVED.

REVISIONS				
P	LTR	DESCRIPTION	DATE	APVD



52.2	53.8	47.2	120	9-5084616-5
44.2	45.8	39.2	100	9-5084616-4
84.2	85.8	79.2	200	1-5084616-0
76.2	77.8	71.2	180	5084616-9
68.2	69.8	63.2	160	5084616-8
60.2	61.8	55.2	140	5084616-6
52.2	53.8	47.2	120	5084616-5
44.2	45.8	39.2	100	5084616-4
36.2	37.8	31.2	80	5084616-3
28.2	29.8	23.2	60	5084616-2
20.2	21.8	15.2	40	5084616-1
CC	BB	AA	POS	PART NO.

NOTES:
 1 MATERIALS:
 HOUSING: L.C.P (HIGH TEMP THERMO-PLASTIC)
 UL 94V-0, NATURAL.
 CONTACT: COPPER ALLOY.
 2 FINISH:
 ENGAGEMENT AREA: 0.0002 MIN GOLD
 SOLDERING AREA: 0.0020 MIN MATTE TIN
 UNDERCOAT: 0.0013 MIN NICKEL ALL OVER
 3. CONN STACK HEIGHT COMBINE OF PLUG "Y" H VS REC "X" H.
 STACK HEIGHT = Y + X - 5

THIS DRAWING IS A CONTROLLED DOCUMENT.

DIMENSIONS: mm	TOLERANCES UNLESS OTHERWISE SPECIFIED: 0 PLC ± 1 PLC ±0.20 2 PLC ±0.25 3 PLC ± 4 PLC ± ANGLES ±	DWN 01SEP04 FLORENCE TAN CHK ERIC TNG APVD SEIFONG PRODUCT SPEC 108-5390 APPLICATION SPEC 114-5254 WEIGHT -	TE Connectivity
MATERIAL -	FINISH -	CUSTOMER DRAWING	NAME RECEPTACLE ASS'Y 13H TYPE (0.5 BOSS LENGTH) FOR FH 0.8mm B-T-B CONN. ON TAPING
		SIZE A3	CAGE CODE 00779
		DRAWING NO C-5084616	RESTRICTED TO -
		SCALE 2:1	SHEET 2 OF 2
		REV R1	

X-ON Electronics

Largest Supplier of Electrical and Electronic Components

Click to view similar products for [Headers & Wire Housings](#) category:

Click to view products by [TE Connectivity](#) manufacturer:

Other Similar products are found below :

[95000-104TRLF](#) [10135584-644402LF](#) [DF62W-EP2022PCA](#) [95000-106TRLF](#) [DF62W-2022SCA](#) [DF62W-EP2022PC](#) [2203348](#) [DF62W-2022SC](#) [1084018](#) [1029039](#) [1084017](#) [802-10-012-10-002000](#) [1112640](#) [1112639](#) [000-34000](#) [0009482033](#) [0009507031](#) [57102-S06-03LF](#) [57202-S52-04LF](#) [PCN6-15S-2.5E](#) [0039019024](#) [58102-G61-06LF](#) [582553-1](#) [0009485154](#) [0009508121](#) [0022285053](#) [0050291907](#) [018731A](#) [LY20-4P-DT1-P1E-BR](#) [02.125.8002.8](#) [60101931](#) [60598-1 \(Cut Strip\)](#) [M1625-3R/100](#) [61062-3](#) [61082-181009](#) [636-1427](#) [638009-1](#) [641938-9](#) [641991-4](#) [644168-1](#) [647662-1](#) [65039-019ELF](#) [65781-047](#) [65817-002LF](#) [65817-015LF](#) [65863-015LF](#) [66207-023LF](#) [67016-026LF](#) [67046-001LF](#) [67095-007LF](#)