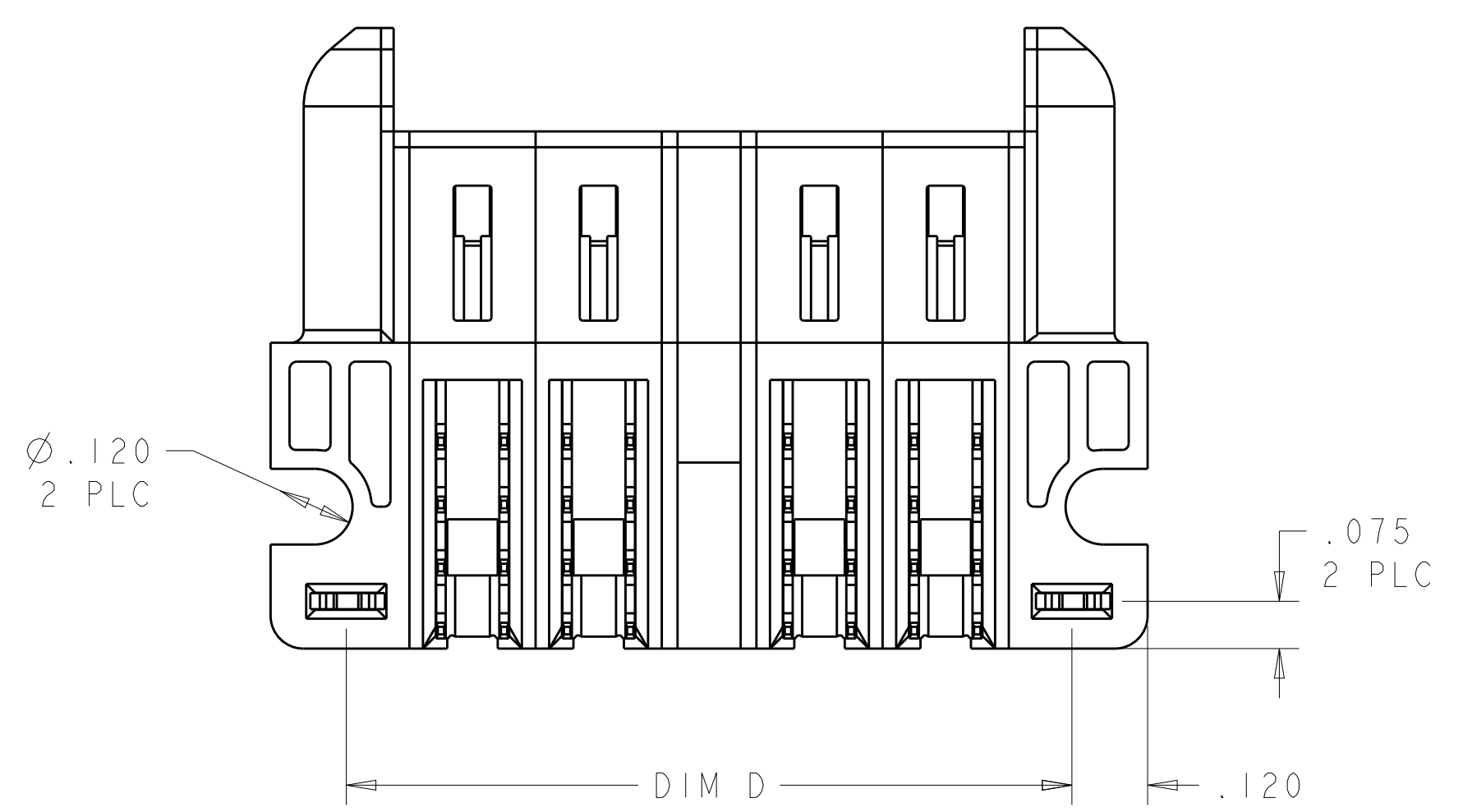
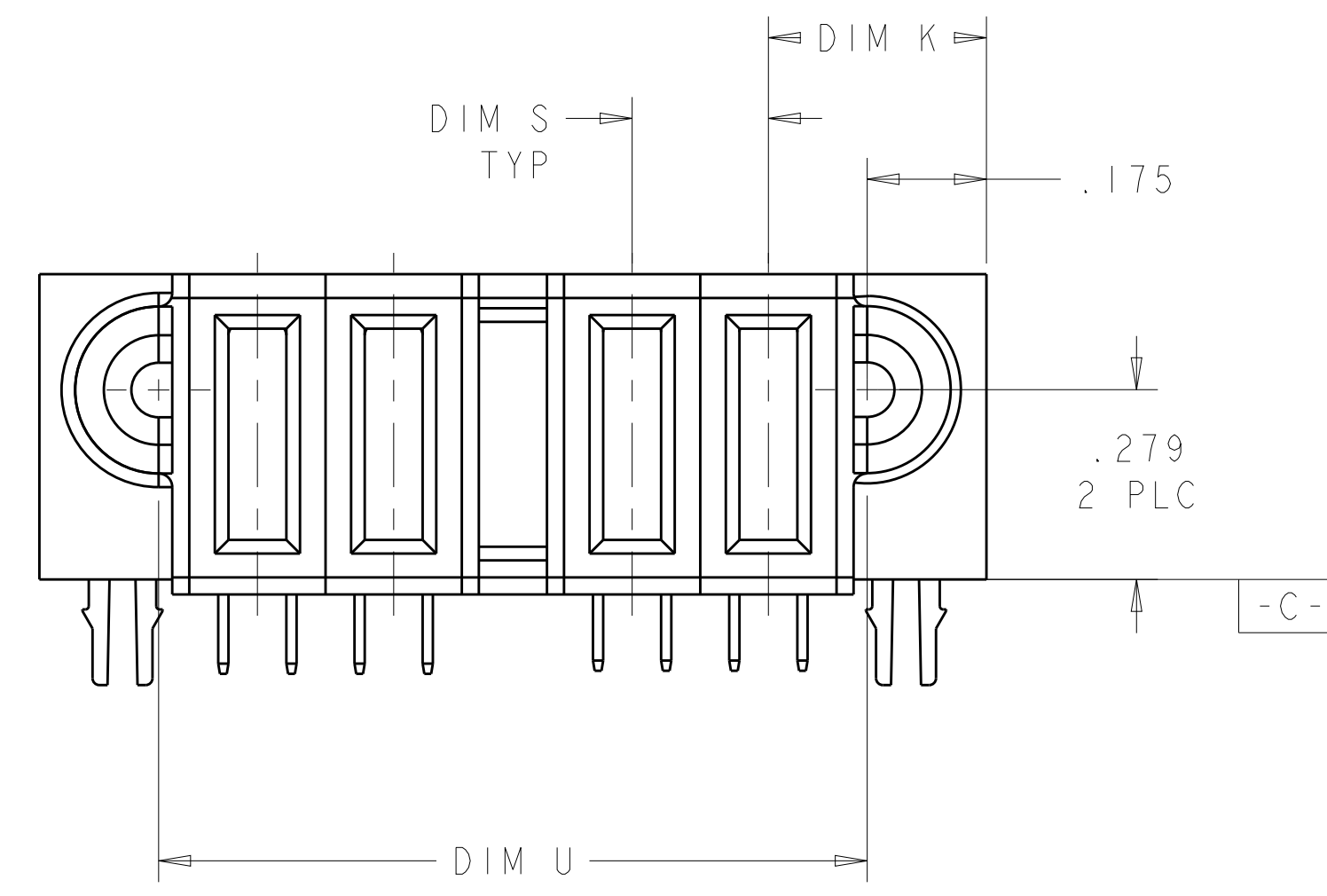
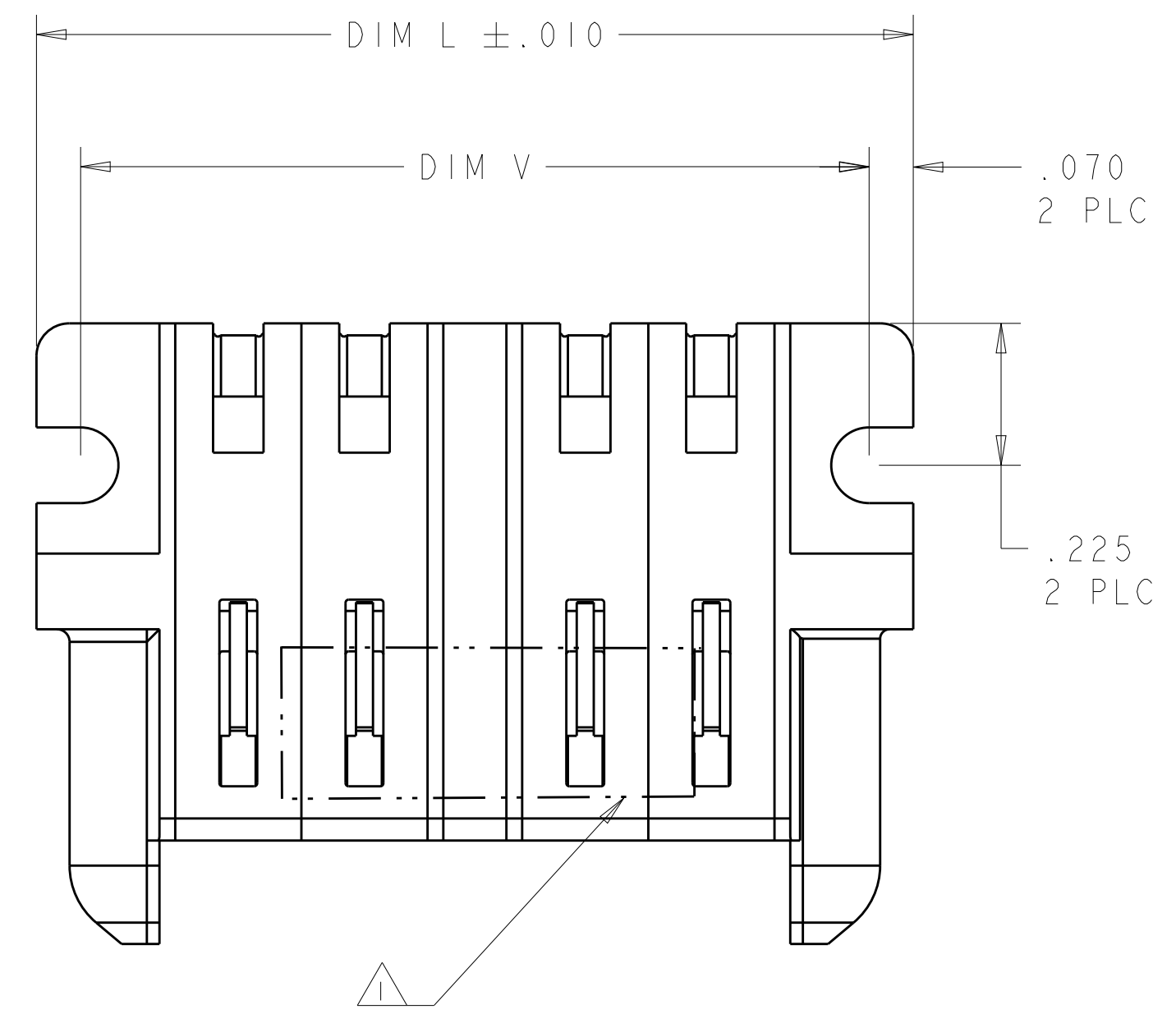
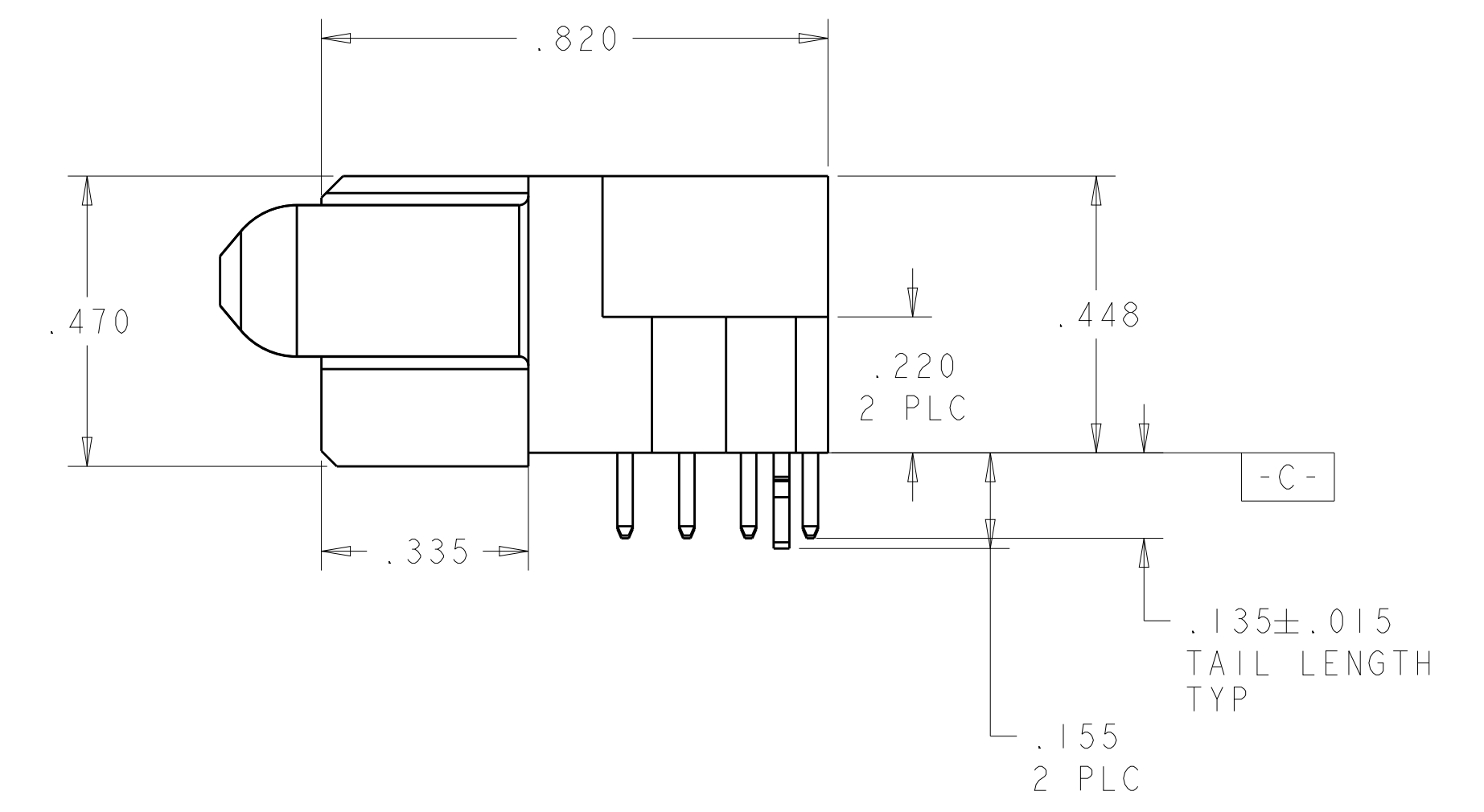


LOC		DIST		REVISIONS			
ES	00	REV	DATE	BY	CHK	APPV	
B		REV PER ECR-11-017732	26AUG2011	CZ	SY		
B1		ADDED THE DASH NUMBER -4	27JUL2012	ML	SZ		



- 1 "AMP", PART NUMBER, AND DATECODE TO BE MARKED IN AREA SHOWN. PARTS UNDER 2.00[50.8] LONG MAY BE MARKED ON BOTH SIDES.
- 2 MATERIAL: HOUSING - GLASS FILLED HIGH TEMP THERMO PLASTIC, BLACK, UL94 V-0
 SIGNAL CONTACT - COPPER ALLOY
 POWER CONTACT - HIGH CONDUCTIVITY COPPER ALLOY
- 3 CONTACT PLATING: NOBLE METAL PLATING ON CONTACT FUNCTIONAL AREA OF POWER AND SIGNAL CONTACTS.
- 4 MECHANICAL CONNECTOR KEEP OUT ZONE.
- 5 DATUM AND BASIC DIMENSIONS ESTABLISHED BY CUSTOMER.
- 6 PCB - HOLE DIAMETERS ARE FINISHED HOLE SIZE.
- 7 PCB - .0453±.0010[1.151±0.025] DRILLED HOLES PLATED WITH .0003[0.008] MIN Sn OVER .001[0.03] TO .003[0.08] Cu PLATING TO ACHIEVE A .040[1.02] DIA HOLE.
- 8 VARIABLE DIMENSIONS SHOWN ON PART VIEW



.250	1.440	1.300	1.090	1.200	.345	4P	6450873-4
8	1.460	1.320	1.110	-	.3275 8	6 LP	6450873-3
.230 8	5.960	5.820	5.610	-	.2775 8	24 LP	6450873-2
.200	1.390	1.250	1.040	1.150	.320	4HDP	6450873-1
DIM S	DIM L	DIM V	DIM U	DIM D	DIM K	DESCRIPTION	PART NUMBER

THIS DRAWING IS A CONTROLLED DOCUMENT.

DIMENSIONS: INCHES(MM)	TOLERANCES UNLESS OTHERWISE SPECIFIED: 0 PLC ±. 1 PLC ±.01 2 PLC ±.01 3 PLC ±.005 4 PLC ±.0020 ANGLES ±.7°	FINISH: 2 3
---------------------------	--	-------------------

APV: S. ZHAO	CHK: S. ZHAO	DWN: T. LEE	DATE: 10MAR2010
PRODUCT SPEC: 108-2292	APPLICATION SPEC: 114-13251	WEIGHT: -	SIZE: A1
CUSTOMER DRAWING		SCALE: 4:1	SHEET 1 OF 3

STE TE Connectivity

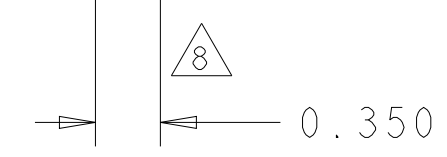
NAME: RIGHT ANGLE RECEPTACLE WITH LP SHORT END MODULAR, SOLDER MULTI-BEAM XLE

SIZE: A1 00779 C=6450873

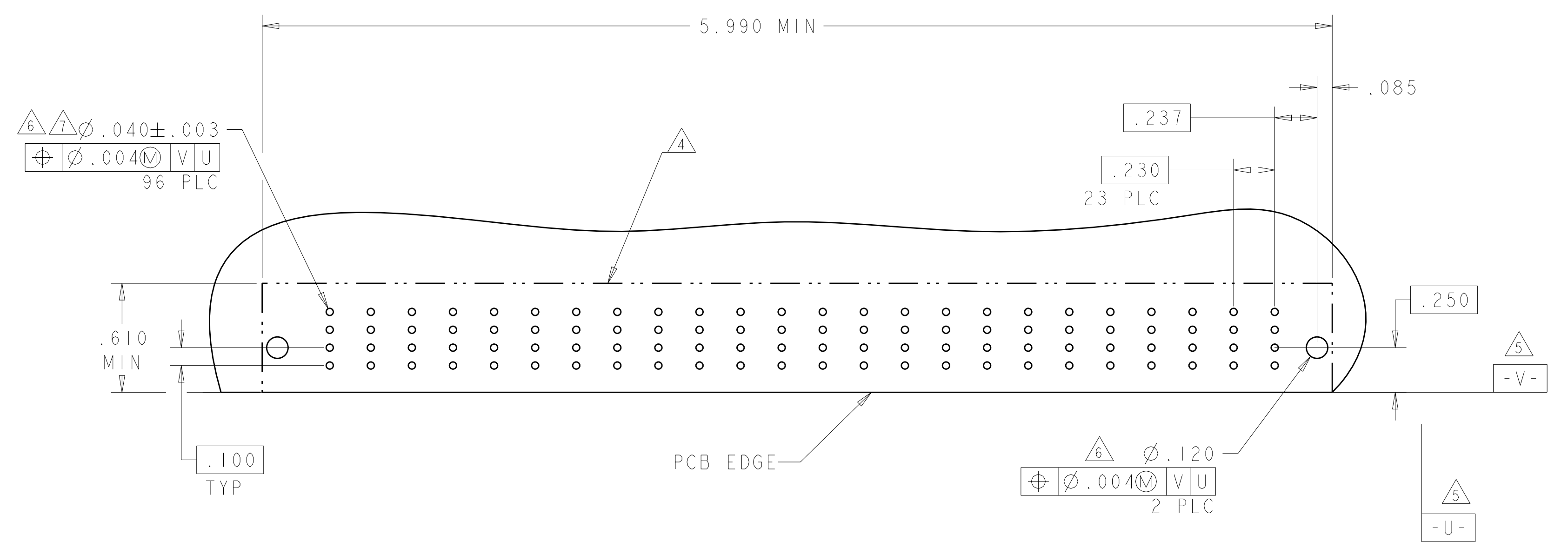
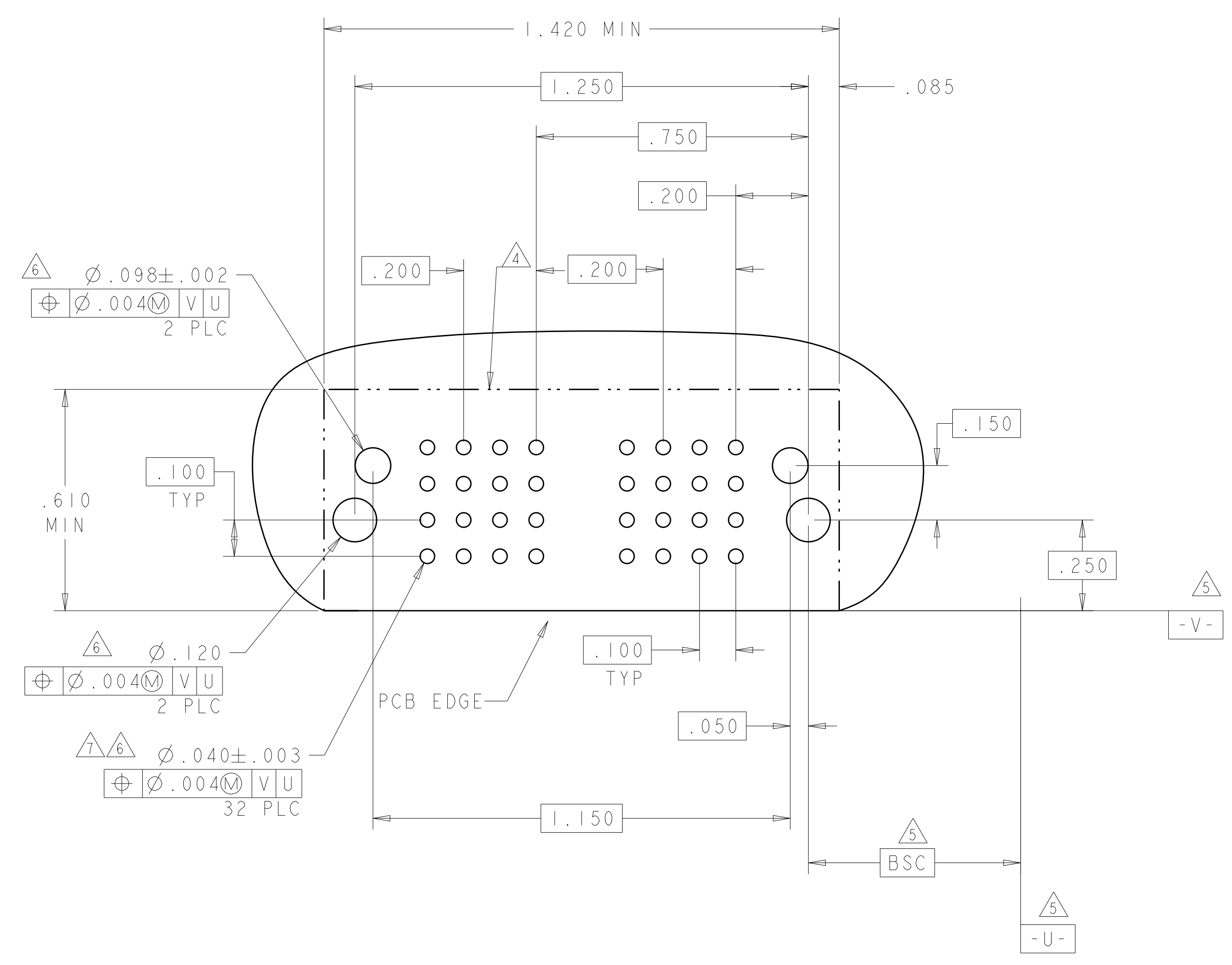
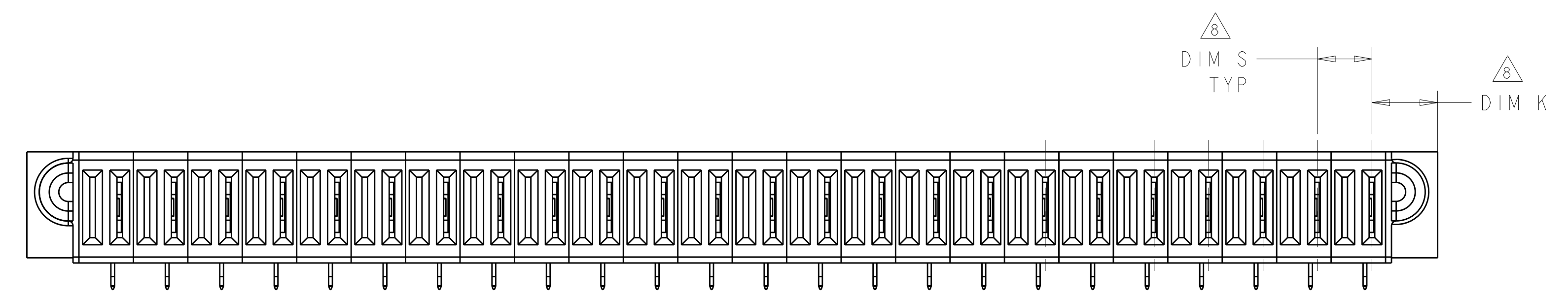
REV: B2

LOC	DIST	REVISIONS			
		REV	DATE	BY	APPD
ES	00	-	-	-	-
		SEE SHEET 1			

PART NUMBER	ROWS	POWER			
		P4	P3	P2	P1
6450873-1	D	RA	RA	RA	RA
	C				
	B				
	A				
4HDP		HD			HD



PART NUMBER	ROWS	LOW POWER																							
		LP24	LP23	LP22	LP21	LP20	LP19	LP18	LP17	LP16	LP15	LP14	LP13	LP12	LP11	LP10	LP9	LP8	LP7	LP6	LP5	LP4	LP3	LP2	LP1
6450873-2	D	LM	LM	LM	LM	LM	LM	LM	LM	LM	LM	LM	LM	LM	LM	LM	LM	LM	LM	LM	LM	LM	LM	LM	LM
	C																								
	B																								
	A																								
24 LP																									



LOWER POWER CONTACT, .135 TAIL LENGTH	LM
POWER CONTACT, MFB, .135 TAIL LENGTH	RA
POWER CONTACT, STD, .135 TAIL LENGTH	RM
HOLD DOWN	HD
DESCRIPTION	IDENTIFIER

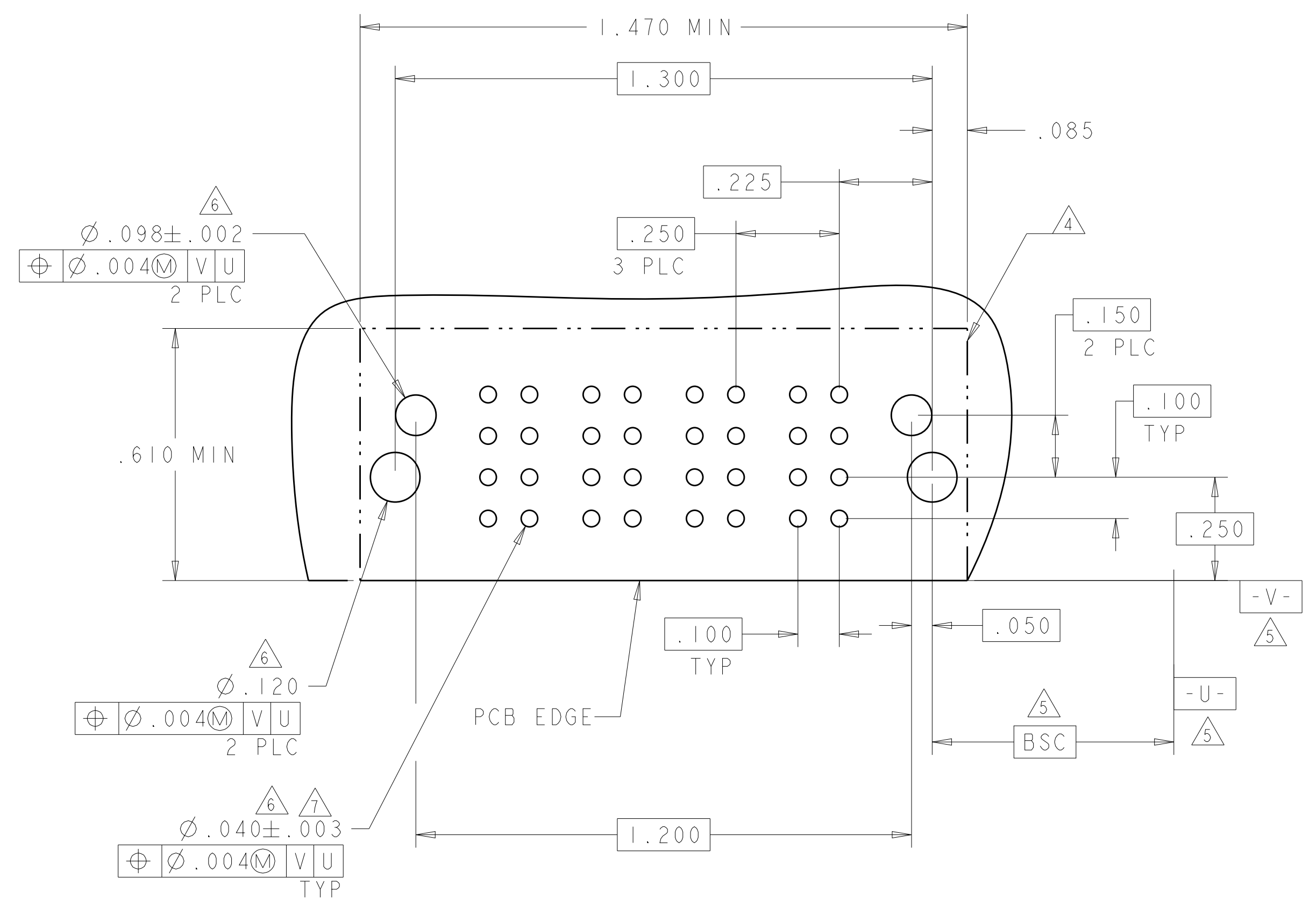
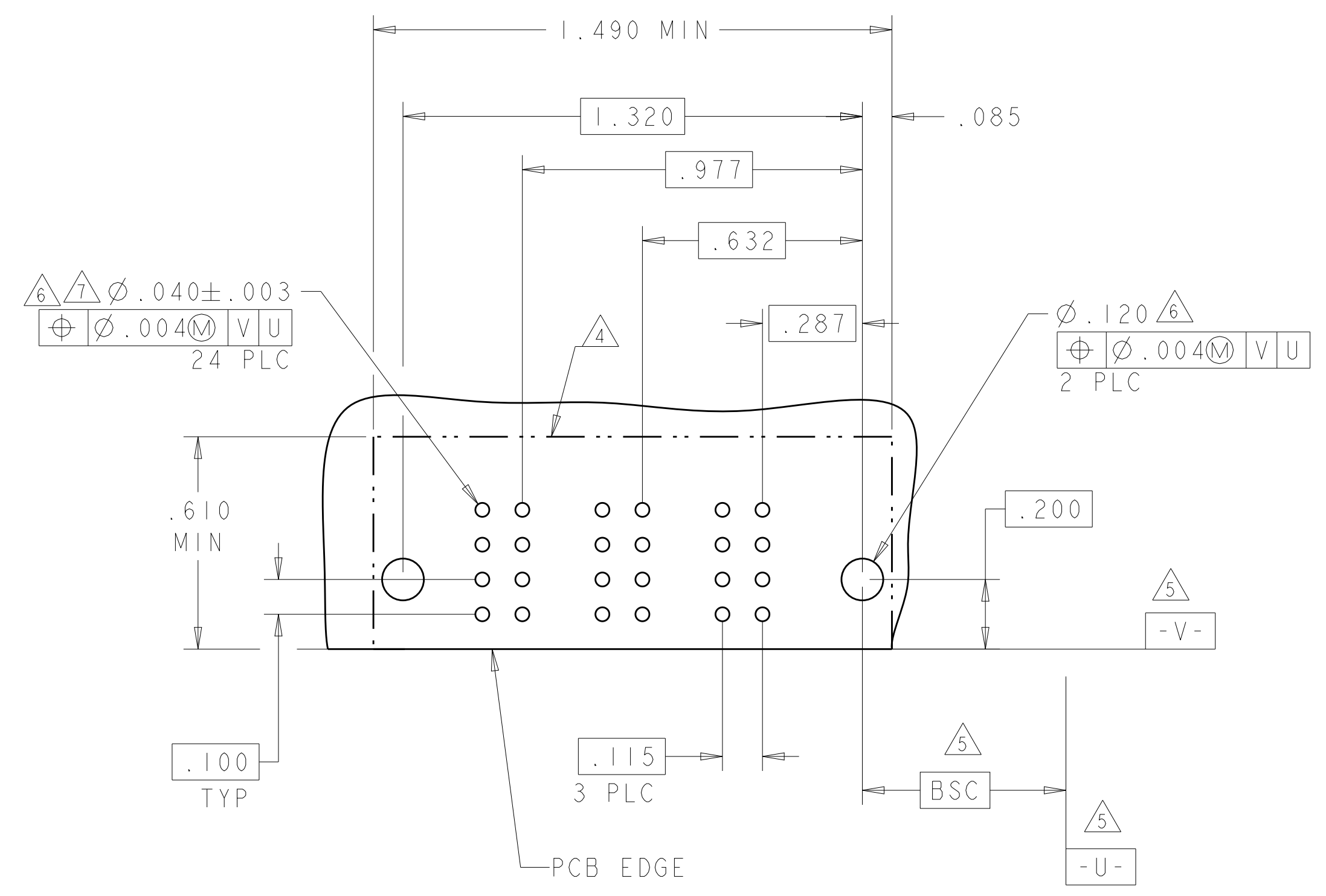
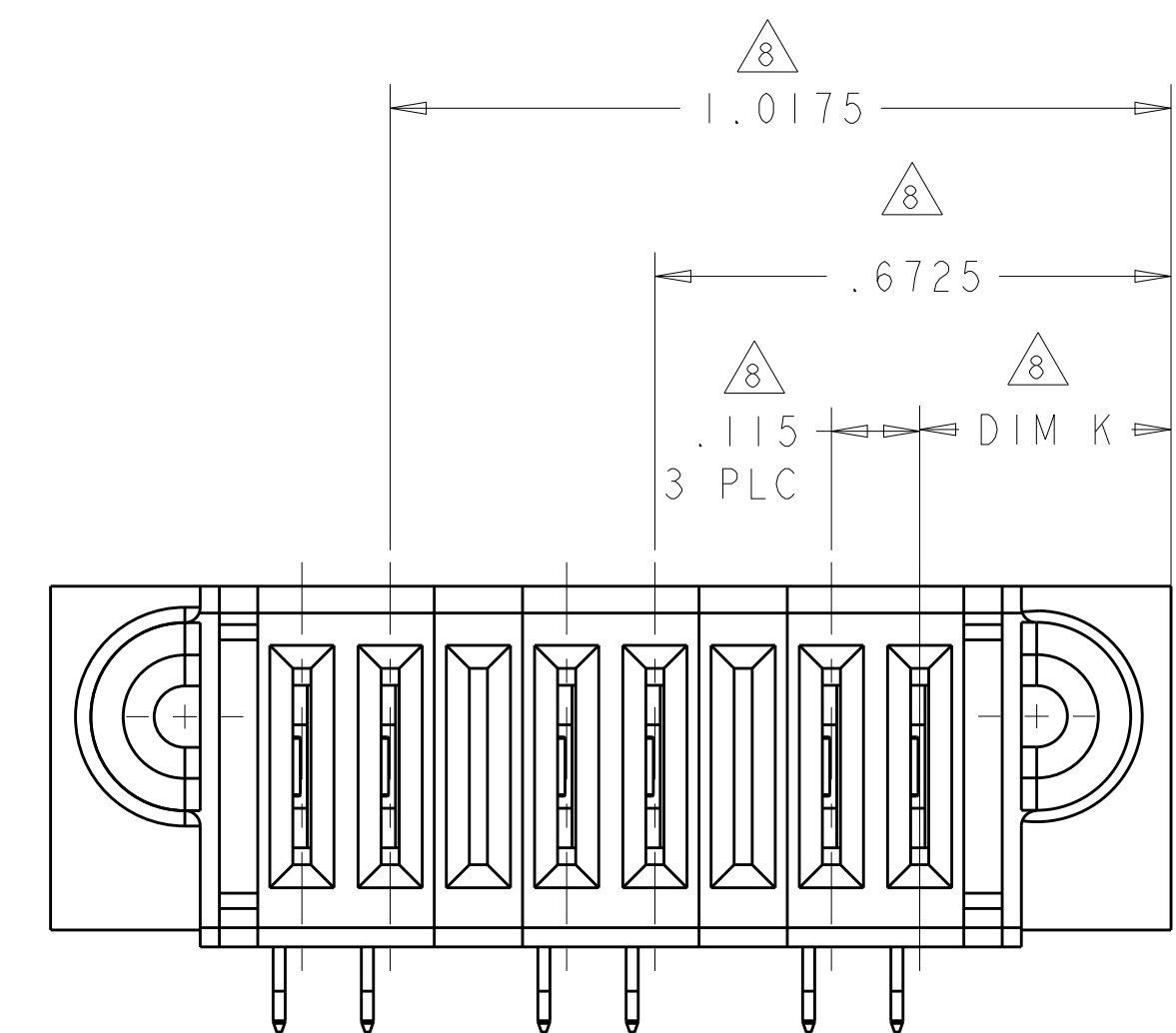
THIS DRAWING IS A CONTROLLED DOCUMENT.		OWN: L. LEE	TOMAR2010	TE Connectivity
DIMENSIONS: INCHES(MM)		CHK: S. ZHAO	TOMAR2010	
TOLERANCES UNLESS OTHERWISE SPECIFIED:		APVD: S. ZHAO	NAME: RIGHT ANGLE RECEPTACLE WITH LP SHORT END MODULAR, SOLDER MULTI-BEAM XLE	
0 PLC ± 1 PLC ±.01 2 PLC ±.01 3 PLC ±.005 4 PLC ±.0020 ANGLES ±.020		PRODUCT SPEC: 108-2292	APPLICATION SPEC: 114-13251	
MATERIAL:	FINISH:	WEIGHT:	SIZE: A100779	RESTRICTED TO: -
CUSTOMER DRAWING		SCALE: 4:1	SHEET: 2 OF 3	REV: B2

LOC	DIST	REVISIONS					
		P	LTN	DESCRIPTION	DATE	DMN	APVD
ES	00	-	-	SEE SHEET 1	-	-	-

PART NUMBER	ROWS	LOW POWER					
		LP6	LP5	LP4	LP3	LP2	LP1
6450873-3	D						
	C	LM	LM	LM	LM	LM	LM
	B						
	A						
6 LP							

PART NUMBER	ROWS	POWER			
		P4	P3	P2	P1
6450873-4	D				
	C	RM	RM	RM	RM
	B				
	A	HD			HD
4P					

(B)



THIS DRAWING IS A CONTROLLED DOCUMENT.

DIMENSIONS: INCHES(MM)	TOLERANCES UNLESS OTHERWISE SPECIFIED: 0 PLC ±. 1 PLC ±.01 2 PLC ±.01 3 PLC ±.005 4 PLC ±.0020 ANGLES ±.7°	FINISH	FINISH
---------------------------	--	--------	--------

DMN I. LEE 10MAR2010	CHK S. ZHAO 10MAR2010	APVD S. ZHAO	NAME RIGHT ANGLE RECEPTACLE WITH LP SHORT END MODULAR, SOLDER MULTI-BEAM XLE
PRODUCT SPEC 108-2292		APPLICATION SPEC 114-13251	RESTRICTED TO
WEIGHT		SIZE A100779	CAGE CODE 6450873
CUSTOMER DRAWING		SCALE 4:1	SHEET 3 OF 3

TE Connectivity

X-ON Electronics

Largest Supplier of Electrical and Electronic Components

Click to view similar products for [Power to the Board](#) category:

Click to view products by [TE Connectivity](#) manufacturer:

Other Similar products are found below :

[10131318-08512GRLF](#) [6450171-4](#) [6450552-7](#) [6600323-8](#) [6643429-1](#) [6646040-2](#) [6651939-1](#) [6766604-1](#) [120959-1](#) [1393557-2](#) [1393532-2](#)
[1393532-3](#) [1393532-4](#) [1393557-1](#) [1600812-5](#) [1-6450861-2](#) [1645595-1](#) [1743490-1](#) [1744132-7](#) [1761122-1](#) [1766169-1](#) [1766250-1](#) [18362](#)
[1892109-1](#) [1-967627-6](#) [2226808-1](#) [2-6450860-5](#) [2-6450860-6](#) [2-6450870-0](#) [93003-0502](#) [953552-1](#) [1-6450161-4](#) [1-6450850-6](#) [1645526-2](#) [1-](#)
[6600130-0](#) [1743419-1](#) [1766150-1](#) [2005243-2](#) [211110-1](#) [2-6600130-2](#) [TE34-12-16P-F0](#) [5-6450830-6](#) [5646956-4](#) [36662-0005](#) [40585-3000](#) [4-](#)
[6450830-9](#) [4-6600333-3](#) [51142-0214](#) [10134048-911LF](#) [10123159-301LF](#)