

DETAILS

Product Number	CA10716_BOOM-S
Family	Boom
Type	RefAssy
Color	metal
Diameter	22.2 mm
Height	13.74 mm
Style	hexag
Optic Material	PC
Holder Material	
Fastening	tape
Status	ready
ROHS Compliant	Yes
Date Updated	22/05/2014

OPTICAL PROPERTIES

LED	Viewing Angle	Light Beam	Efficiency	cd/lm	Connector
XR-E	10 deg	Spot	-	sim: 0.000	-
MC-E	20 deg	Spot	-	4.120	-

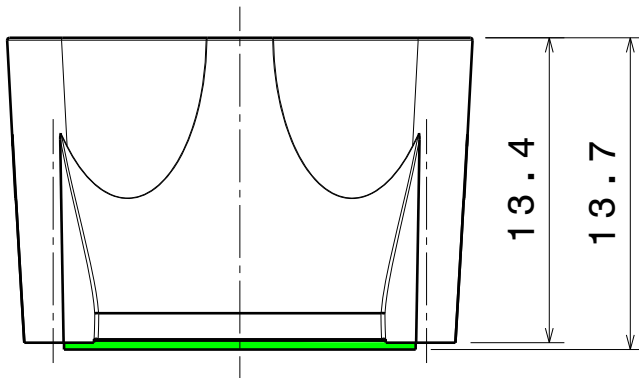
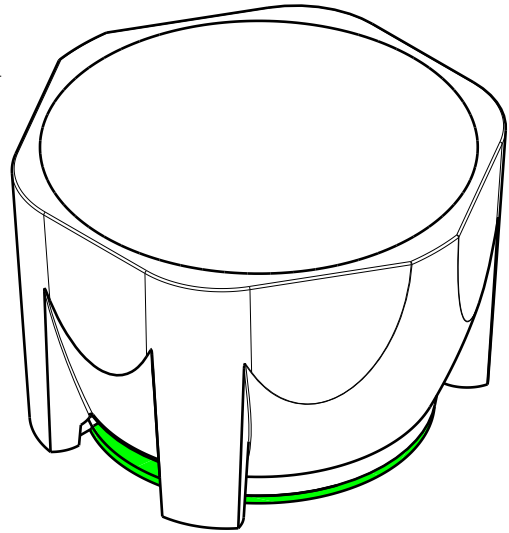
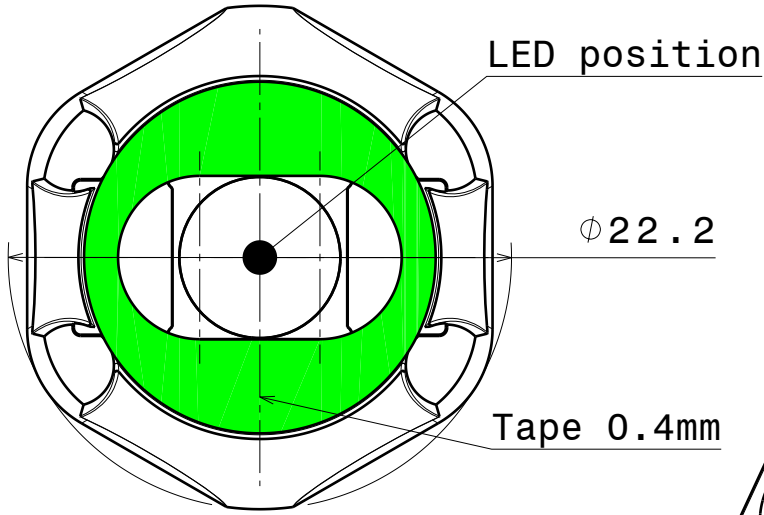


D

C

B

A



Isometric view
Scale: 3:1

Tolerances if not otherwise shown
According to DIN ISO 2768-1
Linear measures:
Up to 30mm class M, otherwise class C.
According to DIN ISO 2768-2
Form and position: class L

LEDiL LediL Oy
Salorankatu 10
FIN 24240 SALO
Finland

THIRD ANGLE PROJECTION:

DRAWING TITLE
CA10716_BOOM-S

This drawing is the property of LEDiL Oy. It may not be reproduced, copied or communicated without a written agreement with LEDiL Oy."

SIZE	PART NUMBER
A4	CA10716

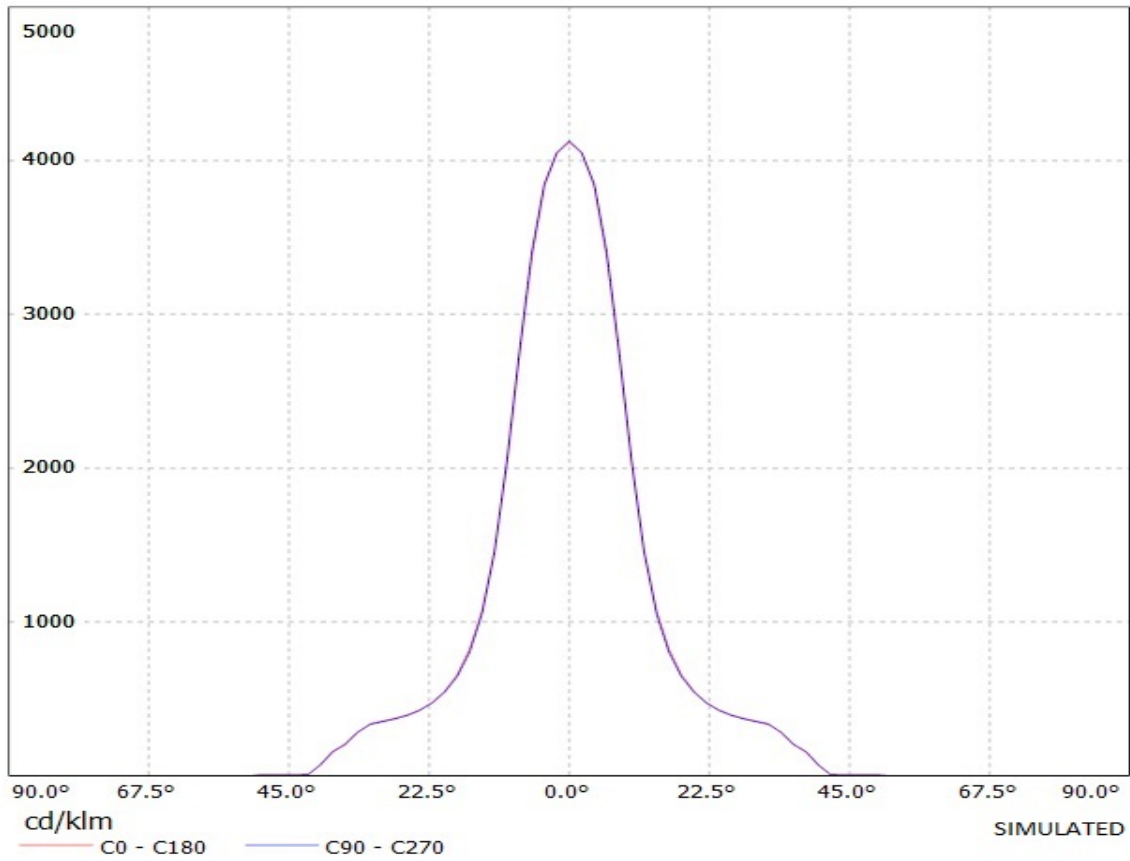
SCALE	3:1	WEIGHT	-	SHEET	1/1
-------	-----	--------	---	-------	-----

D

A

Ledil Oy CA10716_Boom-MC-S CA10716_Boom-MC-S / LDC (Linear)

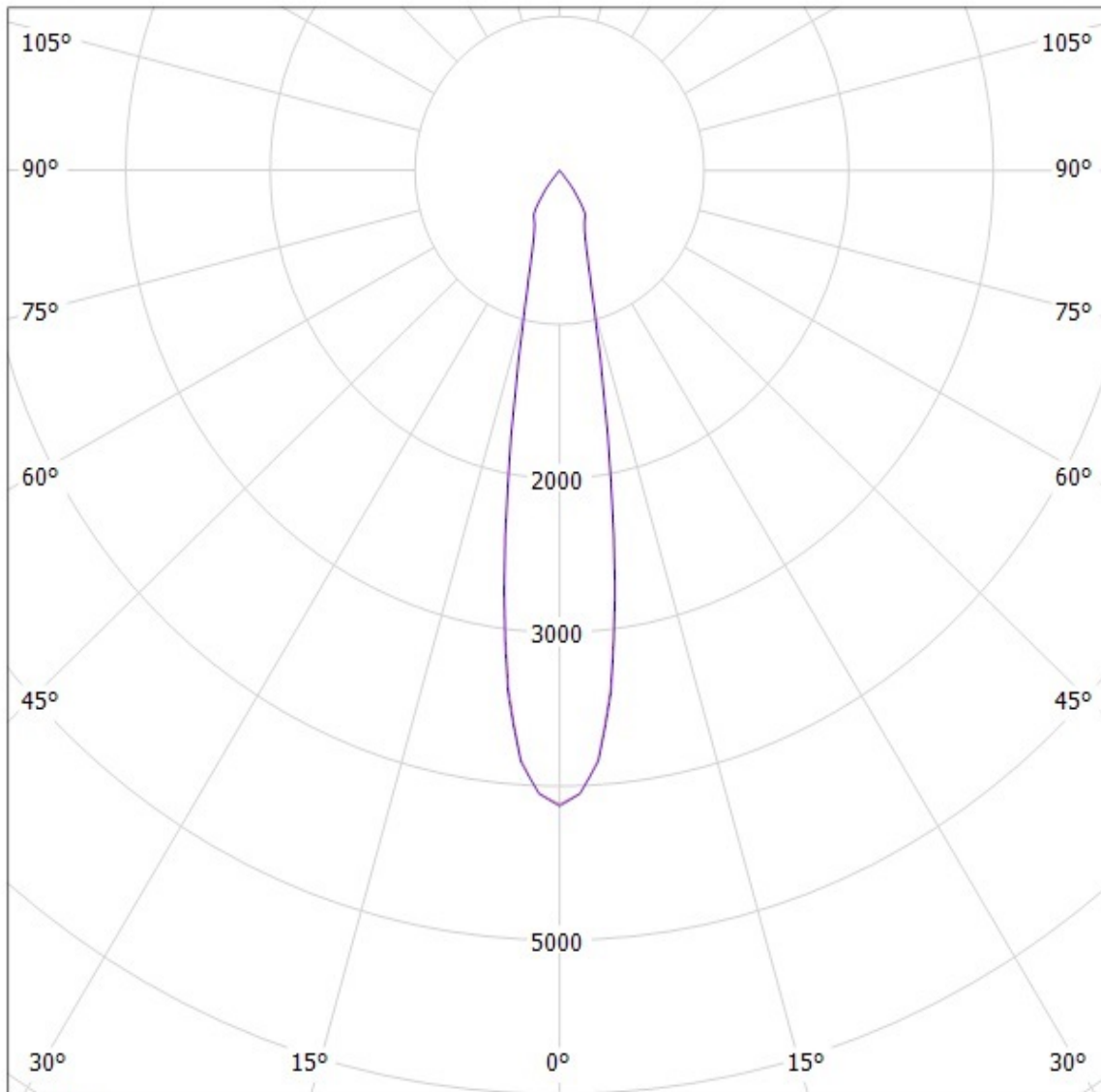
Luminaire: Ledil Oy CA10716_Boom-MC-S CA10716_Boom-MC-S
Lamps: 1 x Cree MC-E (white)



Ledil Oy CA10716_Boom-MC-S CA10716_Boom-MC-S / LDC (Polar

Luminaire: Ledil Oy CA10716_Boom-MC-S CA10716_Boom-MC-S

Lamps: 1 x Cree MC-E (white)



cd/klm

— C0 - C180 — C90 - C270

SIMULATED

NOTE: The typical divergence will be changed by different color, chip size and chip position tolerance. The typical total divergence is the full angle measured where the luminous intensity is half of the peak value.

GENERAL INFORMATION

- Product series especially designed & optimized for series of LEDs.
- Special care taken to make light distribution as uniform as possible.
- Reflector is made of aluminium coated PC (120 degrees of Celcius / 248 degrees of Fahrenheit) with protective lacquer (short term 100 degrees of Celcius / 212 degrees of Fahrenheit).
- Fastening to heat sink with a PU foam adhesive tape of automotive grade. Please find fastening details by clicking link: http://www.ledil.com/datasheets/DataSheet_TAPE.pdf

NOTE 1: We advise customer to ensure the suitability and sufficiency of the bond in the end product. For example, mechanical stress, vibration and holes on the surface of the circuit board weaken the strength of the tape.

NOTE 2: Assembly to the surface must be made straight, so the tape bonds constant and balanced with fastening surface. Slanted assembly might cause unbalanced bond to the surface. All surfaces where tape is applied must be clean, dry and free from grease and dirt.

If cleaning of PCB surfaces is needed, please follow strictly the cleaning instructions of your LED manufacturer - this is important as cleaning shall under no circumstances damage LEDs or other electronics components on the PCB.

Further note that optical components shall not be cleaned with any chemicals - only micro fiber cloth may be used to remove fingerprints or other traces from handling.

X-ON Electronics

Largest Supplier of Electrical and Electronic Components

Click to view similar products for [ledil](#) manufacturer:

Other Similar products are found below :

[FCN10804_LR1-RS](#) [C12084_BROOKE-SCR-W](#) [C13405_SANDRA-12-M](#) [C13499_STRADA-2X2-CY](#) [C14346_ANGELETTE-WAS](#)
[CA10927_STRADA-B](#) [CA11253_STRADA-C2](#) [CA11355_LAURA-M](#) [CA11525_LAURA-R-W](#) [CA11643_LAURA-SS](#) [C14165_STRADA-](#)
[2X2-ME-WIDE2](#) [CA10716_BOOM-S](#) [CA11819_STRADA-SQ-T-DW](#) [FA10679_CMC-RS](#) [C12449_STRADA-T-6X1-DWC](#) [C10909_EVA-](#)
[WW](#) [CA10930_BOOM-M](#) [CA11052_TINA2-O](#) [CA11663_HEIDI-RS](#) [C11716_ANNA-40-7-S](#) [C12692_LENA-STD-BASE-CLL040](#)
[C13233_HB-2X2-M](#) [C15801_MOLLY-M](#) [CA10931_BOOM-W](#) [CA11264_HEIDI-D](#) [CA11426_STRADA-T-DW](#) [CN12646_LENINA-W](#)
[CS14597_HB-IP-2X6-O](#) [CN12644_LENINA-S](#) [CS14840_HB-2X2MX-M](#) [CS14895_HB-IP-2X6-RS](#) [C15431_STRADELLA-16-HB-M](#)
[C16156_STRADELLA-16-HB-O](#) [C16220_STRADELLA-16-T1-A](#) [F14533_ANGELETTE-M](#) [CA14505_G2-LXP2-RS2-P](#) [CA12402_TINA2-](#)
[W](#) [C16585_DAISSY-28X1-SHD](#) [C16588_DAISSY-4X1-W](#) [C16783_DAISSY-28X1-SHD-WHT](#) [C17171_DAISSY-8X1-SHD-MATT](#)
[FN17294_VIOLET-12X1-S](#) [C16959_STRADELLA-16-SCL](#) [FA11207_TINA-W](#) [C13085_MIRELLA-50-S-PF](#) [C17341_DAISSY-4X1-WW-](#)
[US-D](#) [C14275_SHELLY-T-6X1-N](#) [CA13013_SIRI-DOME](#) [C13032_BARBARA-WW](#) [C12608_VIRPI-M](#)