

FULLY SEALABLE EMILY LENSES FOR LUXEON REBEL LEDS



LUXEON



- Specially designed for Luxeon Rebel series of LEDs.
- Lens material optical grade PMMA with high UV and temperature resistance (105°C/220°F)
- High optical efficiency, up to 90%
- No lens holder. Lens has small position pins, fastening to heat sink with a PU foam adhesive tape of automotive grade. For mounting instruction, please see datasheet at the bottom page.
- Please check fastening details from this link:
(http://www.ledil.com/datasheets/DataSheet_TAPE.pdf)
- Lens foot can be potted with resin without losses in optical efficiency (**fully sealed construction** of luminaire possible)
- Diameter 26 mm, height 15mm

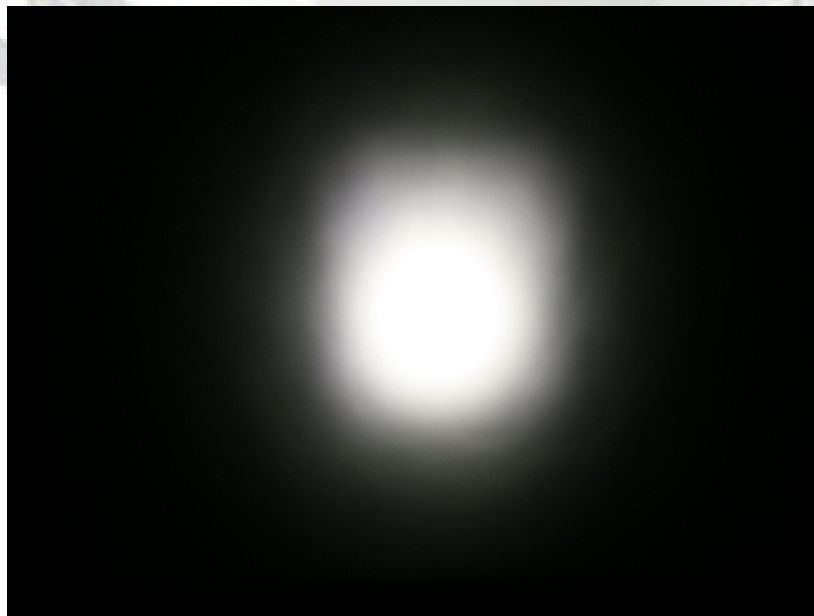
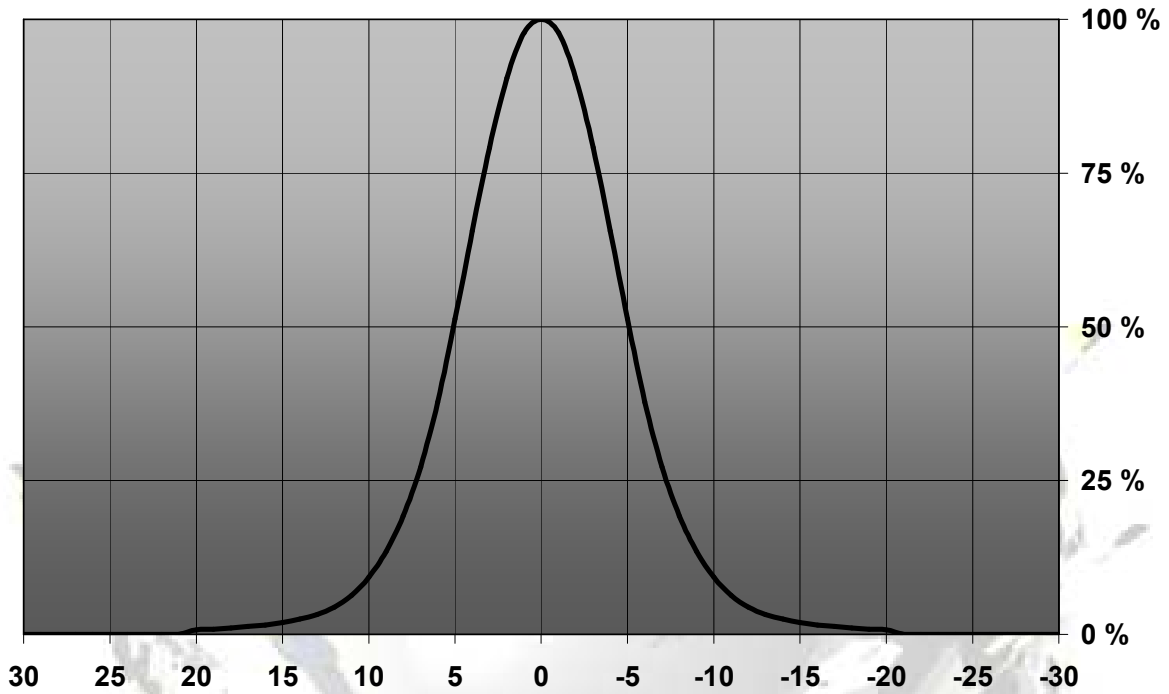
LENS TYPES

NAME	ORDERING CODE	FWHM Angle
Emily Smooth Spot	CA11387_Emily-SS-RE	±5°
Emily Medium	CA11388_Emily-M-RE	±9°
Emily Medium 2	CA11391_Emily-M2-RE	Coming soon
Emily Oval	CA11389_Emily-O-RE	±22° x ±5°
Emily Oval 90°	CA11390_Emily-O-90-RE	±22° x ±5°

© Ledil Oy – Subject to change without prior notice

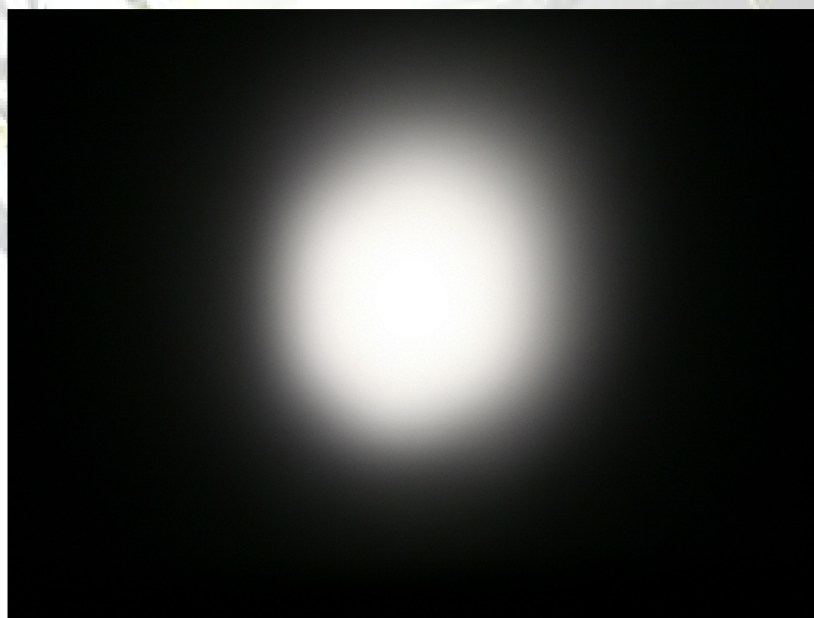
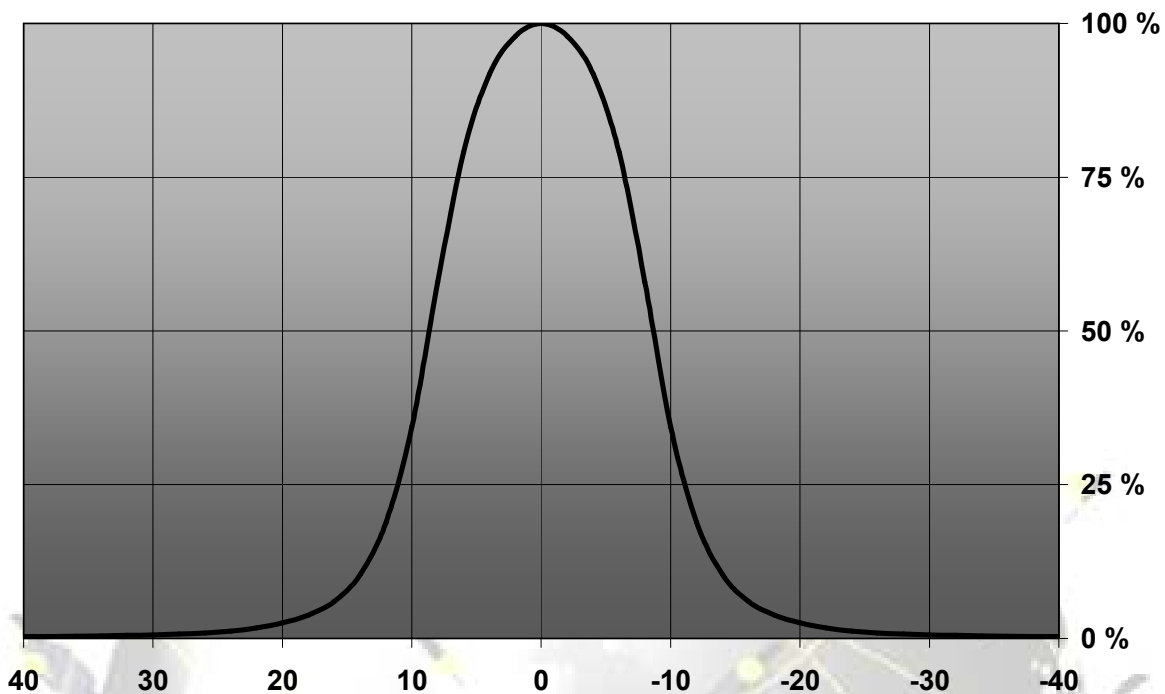
MEASUREMENTS

Relative Intensity of CA11387_Emily-SS-RE



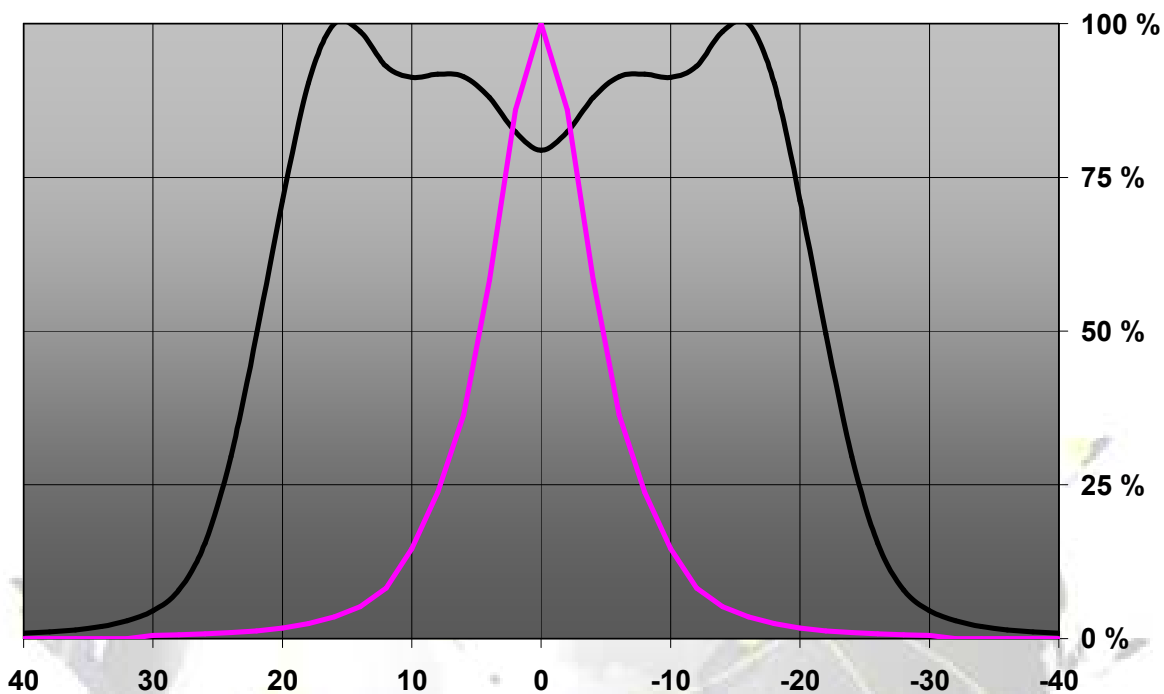
© Ledil Oy – Subject to change without prior notice

Relative Intensity of CA11388_Emily-M-RE

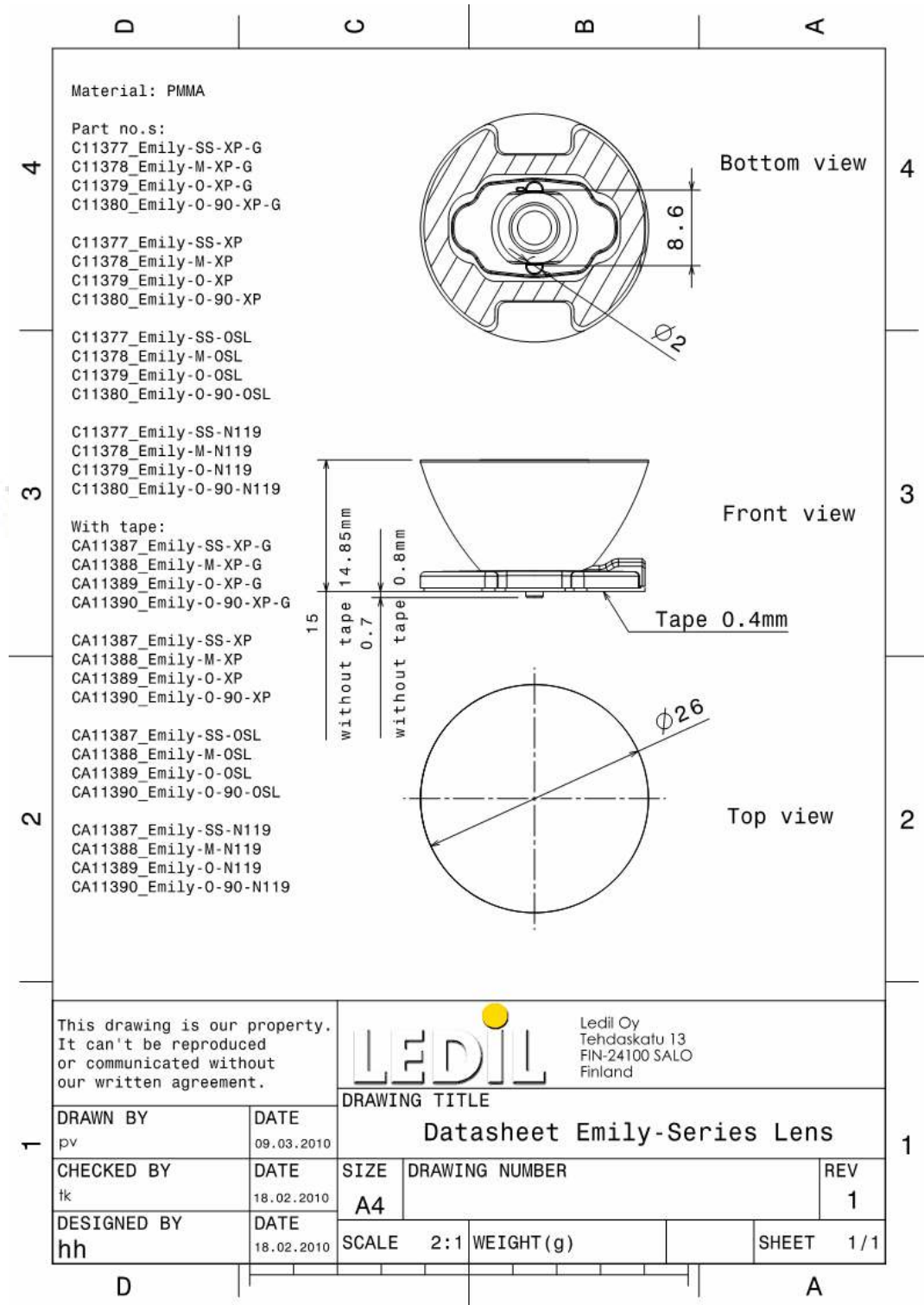


© Ledil Oy – Subject to change without prior notice

Relative Intensity of CA11389_Emily-O-RE



DRAWINGS



This drawing is our property. It can't be reproduced or communicated without our written agreement.



Ledil Oy
 Tehdaskatu 13
 FIN-24100 SALO
 Finland

DRAWN BY pv		DATE 09.03.2010		DRAWING TITLE Datasheet Emily-Series Lens			
CHECKED BY fk		DATE 18.02.2010		SIZE A4	DRAWING NUMBER		REV 1
DESIGNED BY hh		DATE 18.02.2010		SCALE 2:1	WEIGHT (g)	SHEET 1/1	

© Ledil Oy – Subject to change without prior notice

X-ON Electronics

Largest Supplier of Electrical and Electronic Components

Click to view similar products for [LED Lenses](#) category:

Click to view products by [Ledil](#) manufacturer:

Other Similar products are found below :

[131A-303G](#) [131A-304R](#) [139A-403R](#) [139A-403A](#) [160A-604R](#) [160A-604Y](#) [SMB_200_GTP](#) [SMQ_250_ATP](#) [SMS_172_RTP](#) [SQB_400_ATP](#)
[SSN-LX13049L-CD](#) [SSN-LX18754A](#) [SSN-LX18754C](#) [2817](#) [CLR_301_YTP](#) [CMC_313_ATP](#) [3121](#) [3124](#) [3125](#) [39-30-W03](#) [4344](#) [4623](#)
[4745](#) [4747](#) [3111](#) [3114](#) [3115](#) [3121](#) [3122](#) [3124](#) [3125](#) [4327](#) [4743](#) [4745](#) [4752](#) [4757](#) [SSN-LX690L1-C](#) [SQL_360_YTP](#) [SMQ_250_BTP](#) [3114](#)
[3113](#) [CMS444CTP](#) [1125-227-000](#) [4317](#) [4347](#) [4741](#) [4316](#) [4343](#) [4345](#) [4345](#)