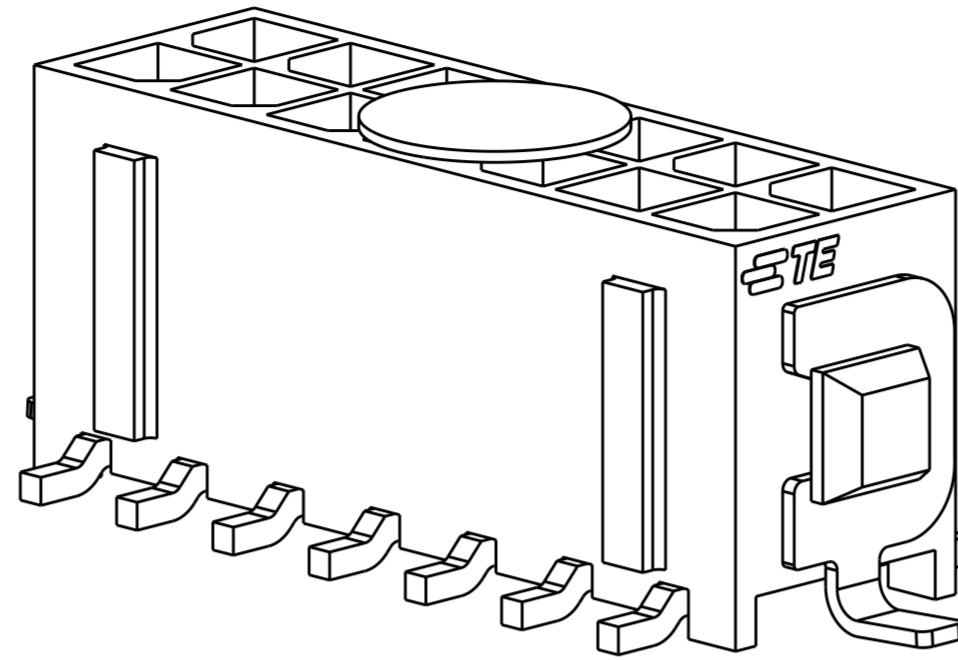
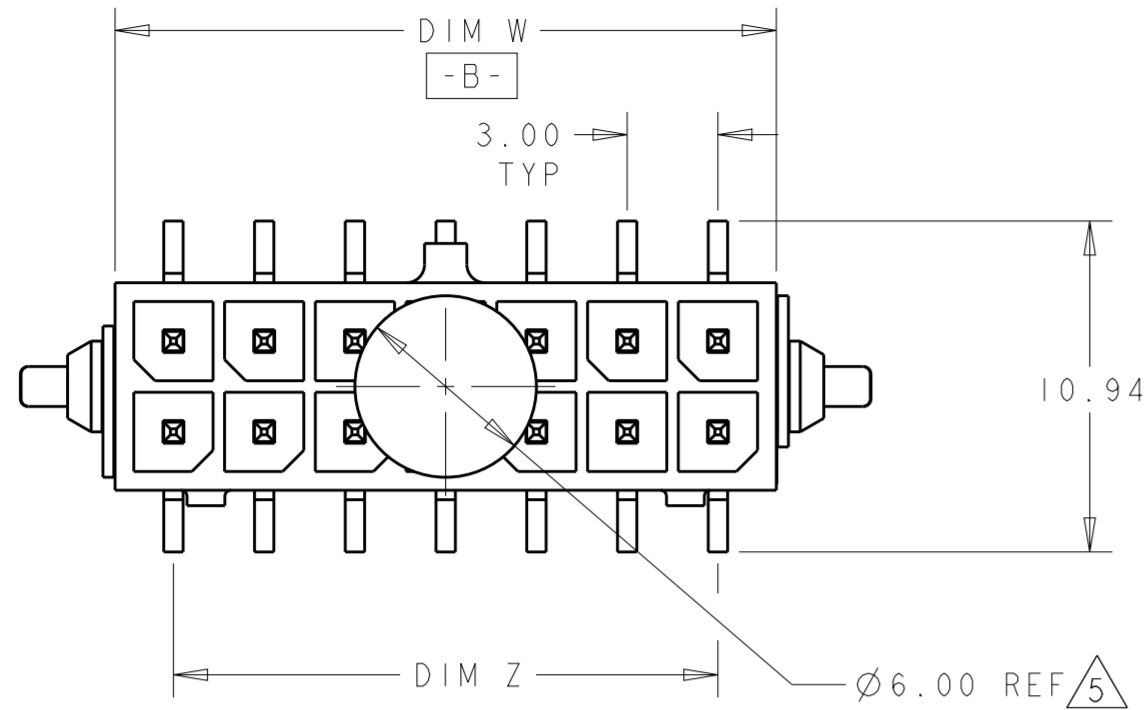
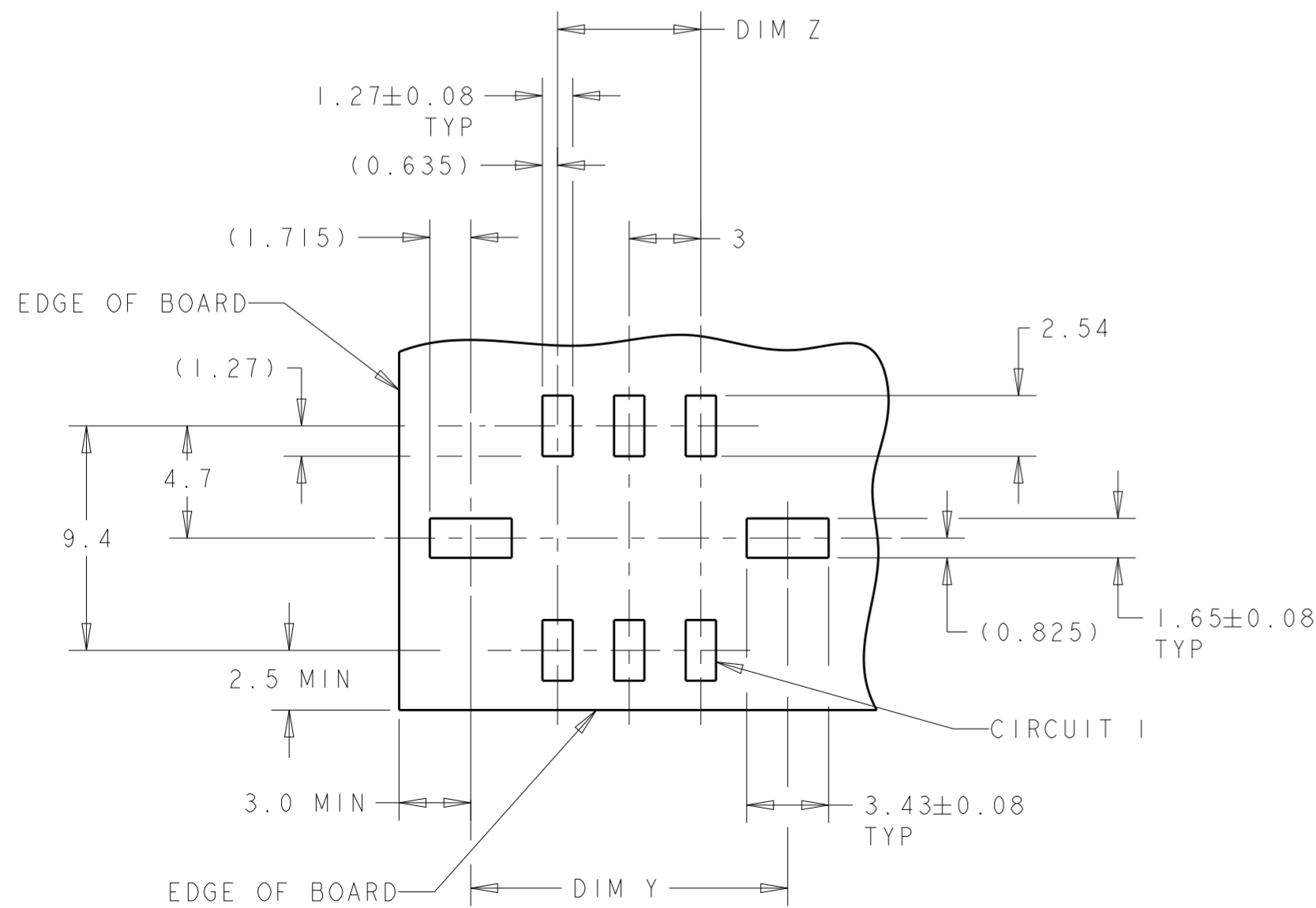
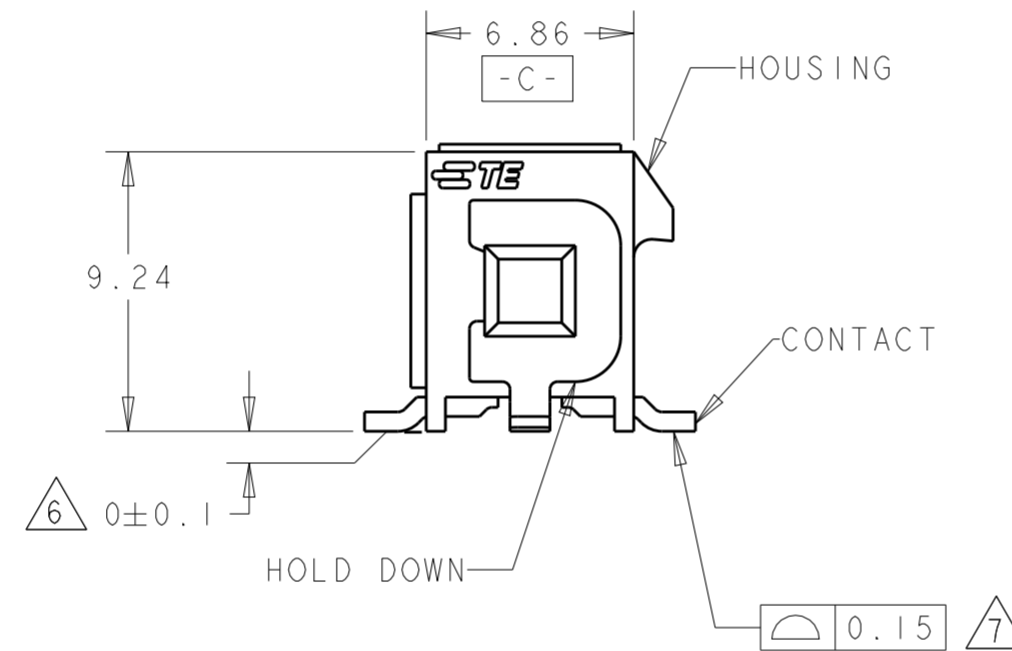
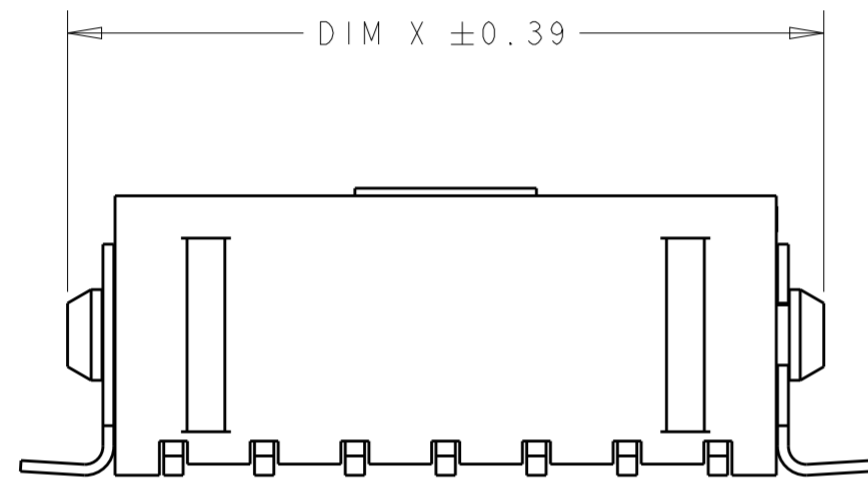


THIS DRAWING IS UNPUBLISHED. RELEASED FOR PUBLICATION 20  
 © COPYRIGHT 20 BY - ALL RIGHTS RESERVED.

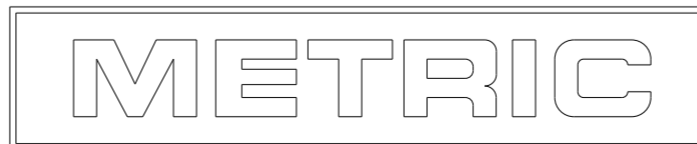
REVISIONS					
P	LTR	DESCRIPTION	DATE	DWN	APVD
C		REVISED PER ECO-15-005484	28JULY2015	SC	DZ



SCALE 6:1



RECOMMENDED PCB LAYOUT  $\triangle 4$   
(COMPONENT SIDE)



- $\triangle 1$  MATERIAL:  
CONTACTS - BRASS.  
HOUSING - UL 94V-0 RATED HIGH TEMP NYLON, COLOR; BLACK.  
HOLD DOWNS - PHOSPHOR BRONZE.
- $\triangle 2$  FINISH:  
CONTACTS - 2.54  $\mu\text{m}$  MINIMUM MATTE TIN OVER 1.27  $\mu\text{m}$  MINIMUM NICKEL.  
HOLD DOWNS - 2.54  $\mu\text{m}$  MATTE TIN.
- 3. SPECIAL PACKAGING FOR IEC 286-3 REQUIREMENT. PARTS ORIENTED TAPE 180° DIFFERENT IN TAPE THAN STANDARD PART NUMBER 794636.
- $\triangle 4$  RECOMMENDED PC BOARD THICKNESS OF 1.57.
- $\triangle 5$  KAPTON VACUUM PICK UP BUTTON.
- $\triangle 6$  DIMENSION APPLIES TO SOLDER TAIL SURFACES AND STANDOFF SURFACES.
- $\triangle 7$  ALL SOLDER TAILS AND HOLD DOWNS.

$\triangle 2$	30.86	34.27	27.00	34.00	20	2-1586842-0
	24.86	28.27	21.00	28.00	16	1-1586842-6
	18.86	22.27	15.00	22.00	12	1-1586842-2
	12.86	16.27	9.00	16.00	8	1586842-8
	9.86	13.27	6.00	13.00	6	1586842-6
	6.86	10.27	3.00	10.00	4	1586842-4
	3.86	7.27	-	7.00	2	1586842-2
FINISH	DIM W	DIM Y	DIM Z	DIM X	NO. OF POSN.	ASSEMBLY

THIS DRAWING IS A CONTROLLED DOCUMENT.

DWN: K. WHITAKER 05NOV2007  
 CHK: C. JONES 05NOV2007  
 APVD: C. JONES 05NOV2007

TE Connectivity

NAME: HEADER ASSY, VERTICAL, SURFACE MOUNT, SURF MNT HOLDDOWN, TIN, DUAL ROW, SPCL PKGNG, MICRO MATE-N-LOK (TM)

SIZE: A2 CAGE CODE: - DRAWING NO: C-1586842 RESTRICTED TO: -

MATERIAL:  $\triangle 1$  SEE TABLE

PRODUCT SPEC: APPLICATION SPEC

WEIGHT: CUSTOMER DRAWING

SCALE: 4:1 SHEET: 1 OF 1 REV: C

## X-ON Electronics

Largest Supplier of Electrical and Electronic Components

*Click to view similar products for [Pin & Socket Connectors](#) category:*

*Click to view products by [TE Connectivity](#) manufacturer:*

Other Similar products are found below :

[6450822-1](#) [770392-1](#) [794042-1](#) [796885-1](#) [8-794535-1](#) [881459-2](#) [R929993003](#) [1-350779-3](#) [1403611-1](#) [1-480349-5](#) [1586092-1](#) [1586129-1](#)  
[1586487-1](#) [1586681-4](#) [1586700-1](#) [1586065-1](#) [1586077-1](#) [1586368-1](#) [1586380-1](#) [1586680-5](#) [1586681-2](#) [1604996-1](#) [16-06-0038](#) [164164-5](#) [1-](#)  
[6609930-1](#) [172296-1](#) [1-794714-6](#) [19-09-2035](#) [1969804-1](#) [200503-1](#) [200788-2](#) [201046-7](#) [202648-4](#) [2029076-2](#) [2029090-4](#) [2029095-4](#) [2-](#)  
[66102-6](#) [925061-7](#) [926681-1](#) [293734-4](#) [293737-2](#) [1-765362-4](#) [1-794606-3](#) [1871534-1](#) [1969795-1](#) [1969798-1](#) [1969800-1](#) [200833-4](#)  
[2008625-2](#) [2029027-2](#)