



Ordering number	CA12164		
Description	CA12164_Lena-M_BXRA		
Family	Lena	FWHM	19 degrees
Type	Reflector	Efficiency	-
LED	BXRA-C0800/1200/2000	cd/lm	-
Color	Metal	Gerber File	Available
Diameter	111 mm		
Height	86.2 mm		
Style	Round		
Optic Material	PC		
Holder Material	PC		
Fastening	Screw		
Status	Ready		

Ordering number	CA12157		
Description	CA12157_Lena-S_BXRA		
Family	Lena	FWHM	10 degrees
Type	Reflector	Efficiency	-
LED	BXRA-C0800/1200/2000	cd/lm	-
Color	Metal	Gerber File	Available
Diameter	111 mm		
Height	86.2 mm		
Style	Round		
Optic Material	PC		
Holder Material	PC		
Fastening	Screw		
Status	Ready		

Ordering number	CA12159		
Description	CA12159_Lena-S-Diffuser-Lens_BXRA		
Family	Lena	FWHM	11 degrees
Type	Reflector	Efficiency	-
LED	BXRA-C0800/1200/2000	cd/lm	-
Color	Metal	Gerber File	Available
Diameter	111 mm		
Height	87.8 mm		
Style	Round		
Optic Material	PC		
Holder Material	PC		
Fastening	Screw		
Status	Ready		

Ordering number	CA12168		
Description	CA12168_Lena-M-Diffuser-Lens_BXRA		
Family	Lena	FWHM	20 degrees
Type	Reflector	Efficiency	-
LED	BXRA-C0800/1200/2000	cd/lm	-
Color	Metal	Gerber File	Available
Diameter	111 mm		
Height	87.8 mm		
Style	Round		
Optic Material	PC		
Holder Material	PC		
Fastening	Screw		
Status	Ready		



PRODUCT DATASHEET

Lena-BXRA-ES series



Ordering number	CA12158		
Description	CA12158_Lena-W_BXRA		
Family	Lena	FWHM	44 degrees
Type	Reflector	Efficiency	-
LED	BXRA-C0800/1200/2000	cd/lm	-
Color	Metal	Gerber File	Available
Diameter	111 mm		
Height	86.2 mm		
Style	Round		
Optic Material	PC		
Holder Material	PC		
Fastening	Screw		
Status	Ready		

Ordering number	CA12160		
Description	CA12160_Lena-W-Diffuser-Lens_BXRA		
Family	Lena	FWHM	46 degrees
Type	Reflector	Efficiency	-
LED	BXRA-C0800/1200/2000	cd/lm	-
Color	Metal	Gerber File	Available
Diameter	111 mm		
Height	87.8 mm		
Style	Round		
Optic Material	PC		
Holder Material	PC		
Fastening	Screw		
Status	Ready		

NOTE: The typical divergence will be changed by different color, chip size and chip position tolerance. The typical total divergence is the full angle measured where the luminous intensity is half of the peak value.



PRODUCT DATASHEET Lena-BXRA-ES series



GENERAL INFORMATION

- Product series especially designed & optimized for BXRA-C0800/1200/2000 series of LEDs.
- Special care taken to make light distribution as uniform as possible.
- Lens material optical grade PC with high UV and temperature resistance (120 degrees of Celcius / 248 degrees of Fahrenheit). Allows use of high current and temperature conditions.

Please find more information about used materials from below:

http://ledil.fi/sites/default/files/Documents/Technical/Material/PC%20Makrolon%202400_2407_2456_2458-UL.pdf

- Reflector is made of aluminium coated PC (120 degrees of Celcius / 248 degrees of Fahrenheit) with protective lacquer (110 degrees of Celcius / 230 degrees of Fahrenheit).
- Optic holder molded by high quality PC material (120 dergees of Celcius / 248 degrees of Fahrenheit).

D

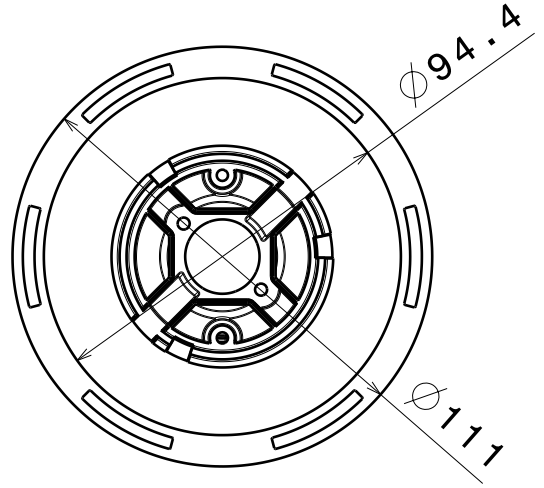
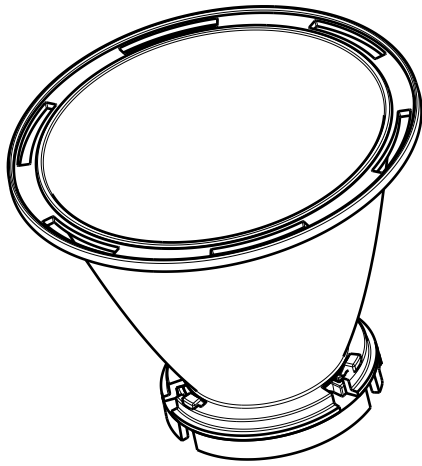
C

B

A

4

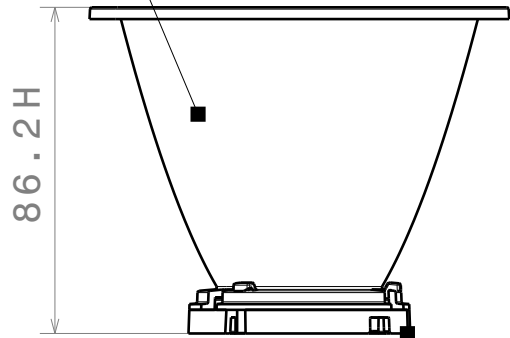
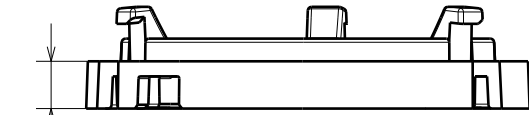
4



Reflector material PC
Metal plated with clear lacquer

3

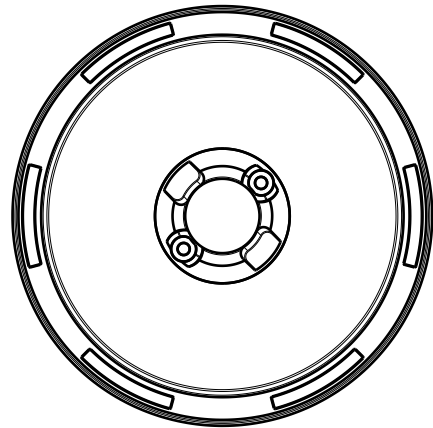
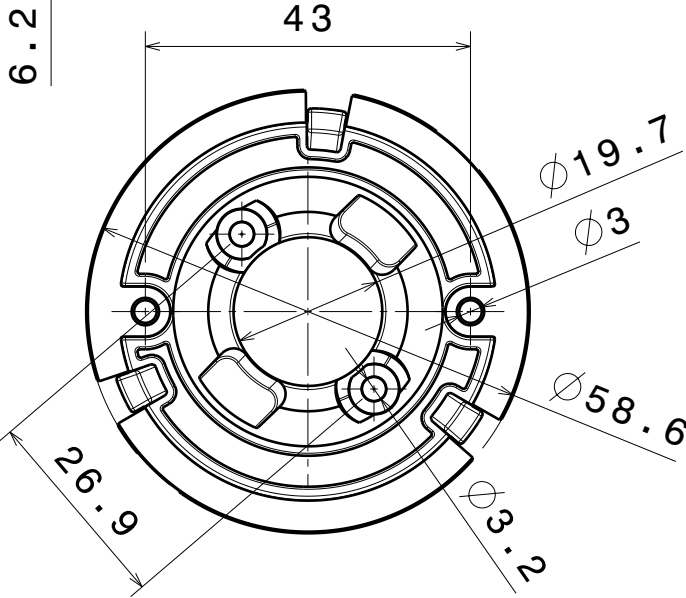
3



Base material PC, white

2

2



NOTE: using optional sublens, add 1.6mm to dimension H.

This drawing is our property. It can't be reproduced or communicated without our written agreement.



Ledil Oy
Salorankatu 10
FIN-24240 SALO
Finland

DRAWING TITLE

Datasheet Lena-BXRA-assembly

DRAWN BY
pl

DATE
13.07.2011

CHECKED BY
pl

DATE
26.04.2011

SIZE
A4

DRAWING NUMBER

--

REV
1

DESIGNED BY
pl

DATE
01.04.2011

SCALE 1:2 WEIGHT (g)

SHEET 1/1

D

A

1

1

X-ON Electronics

Largest Supplier of Electrical and Electronic Components

Click to view similar products for [ledil](#) manufacturer:

Other Similar products are found below :

[FCN10804_LR1-RS](#) [C12084_BROOKE-SCR-W](#) [C13012_FLARE-MAXI-D](#) [C13405_SANDRA-12-M](#) [CA11253_STRADA-C2](#)
[CA11355_LAURA-M](#) [CA11643_LAURA-SS](#) [FP11851_LISA2-O-90-PIN](#) [C14165_STRADA-2X2-ME-WIDE2](#) [FA10679_CMC-RS](#)
[C12449_STRADA-T-6X1-DWC](#) [CA10931_BOOM-W](#) [CA11264_HEIDI-D](#) [CA11426_STRADA-T-DW](#) [CN12646_LENINA-W](#)
[CN12644_LENINA-S](#) [CS14840_HB-2X2MX-M](#) [C15431_STRADELLA-16-HB-M](#) [C16156_STRADELLA-16-HB-O](#)
[C16220_STRADELLA-16-T1-A](#) [F14533_ANGELETTE-M](#) [CA14505_G2-LXP2-RS2-P](#) [C16585_DAISSY-28X1-SHD](#) [C16783_DAISSY-28X1-SHD-WHT](#) [C17171_DAISSY-8X1-SHD-MATT](#) [FN17294_VIOLET-12X1-S](#) [C16959_STRADELLA-16-SCL](#) [FA11207_TINA-W](#)
[C13085_MIRELLA-50-S-PF](#) [C17341_DAISSY-4X1-WW-US-D](#) [C14275_SHELLY-T-6X1-N](#) [C14346_ANGELETTE-WAS](#) [CA13013_SIRI-DOME](#) [C13032_BARBARA-WW](#) [C12608_VIRPI-M](#) [CP16106_CARMEN-50-RS-C](#) [FS15626_FLORENCE-3R-IP-Z90](#) [FP15897_HB-2X2MXS-WWW](#) [FCP13895_SEANNA-A](#) [CA14219_STRADA-SQ-CY](#) [CP12413_LOS-D](#) [FA10661"LXP-RS](#) [CP16107_CARMEN-50-S-C](#)
[C17172_DAISSY-8X1-SHD-MATT-WHT](#) [FP10997_LISA2-WW-PIN](#) [CA11267_HEIDI-O-90](#) [CP13069_IRENE-IR-4](#) [CA12878_MIRA-M](#)
[CP10944_RGBX-M](#) [C15028_FLORENTINA-4X1-SHD](#)