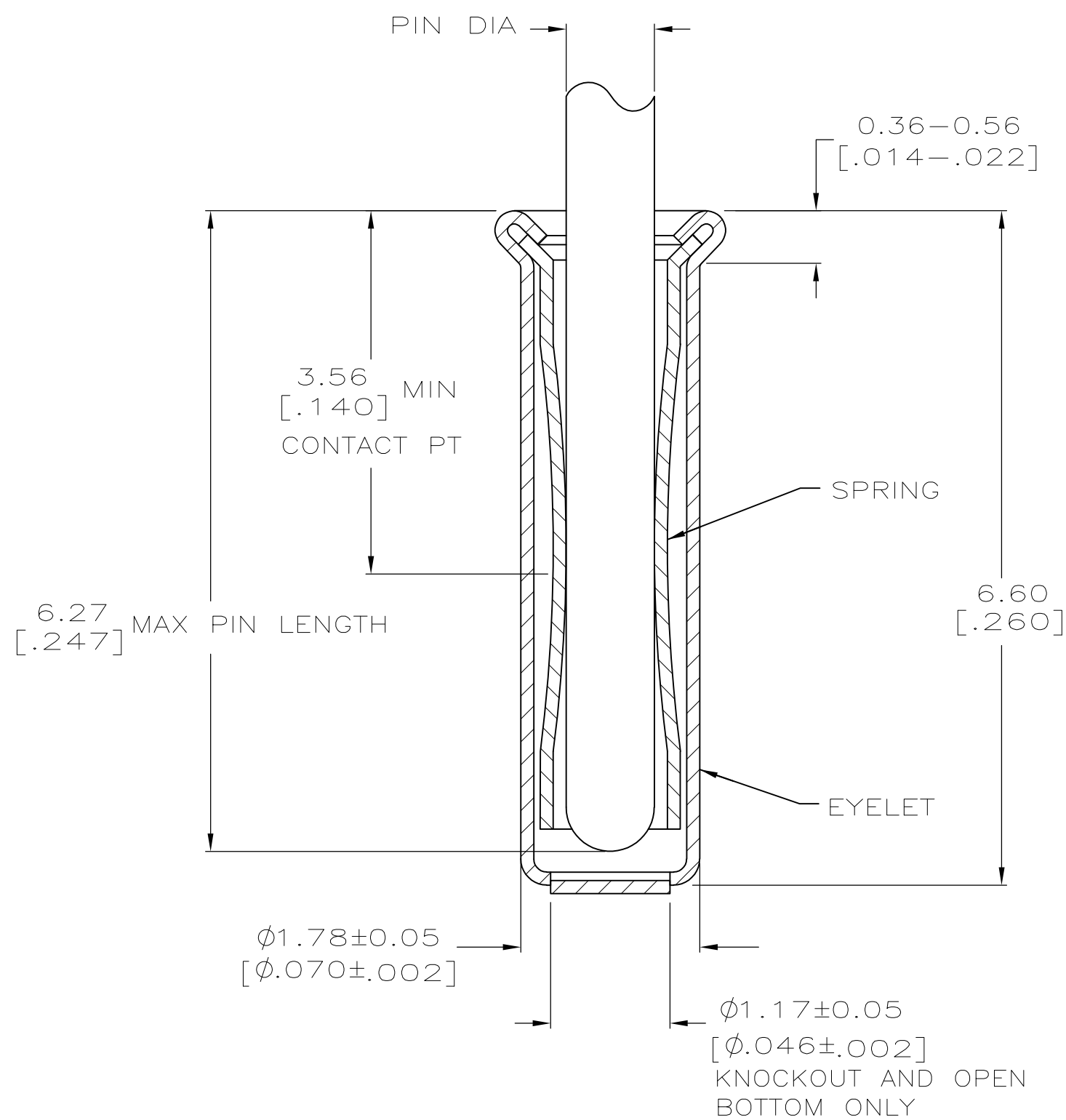
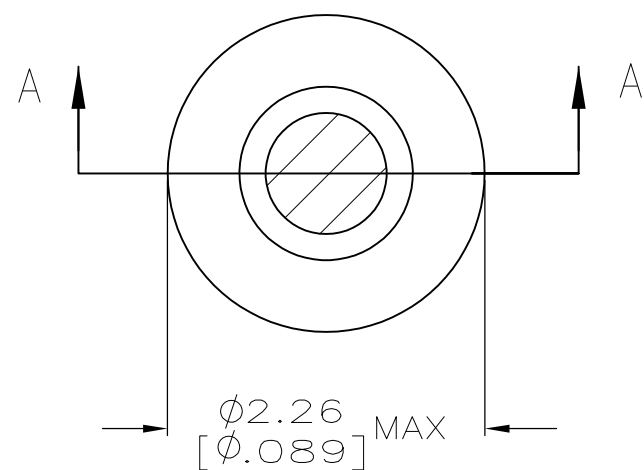


LOC	DIST	REVISIONS			
P	LTR	DESCRIPTION	DATE	DWN	APVD
GP	00	A1	REVISED PER ECO-11-004835	11MAR11	RK HMR



SECTION A-A

1. TIN PLATE PER ASTM-B-545 .000254 [.000100] MINIMUM THICK.
2. NICKEL UNDERPLATE ALL OVER, MATING SURFACE PLATED TO MEET PERFORMANCE REQUIREMENTS OF TE CONNECTIVITY PRODUCT SPECIFICATION 108-14008.
3. RECOMMENDED HOLE SIZE, PLATED OR UNPLATED:
 MACHINE INSERTION: $1.83 \begin{matrix} +0.10 \\ -0.08 \end{matrix} \begin{matrix} [.072 \ +.004 \\ \ -.003] \end{matrix}$
 HAND INSERTION: $1.83 \begin{matrix} +0.10 \\ -0.00 \end{matrix} \begin{matrix} [.072 \ +.004 \\ \ -.000] \end{matrix}$
4. APPLICATION TOOL PART NUMBER:
 MACHINE NO. 682127-5
 INSERTION HEAD NO. 682039-4
5. TO INSURE PROPER SPRING TENSION DO NOT EXCEED A 0.05 [.002] DIFFERENCE IN PIN DIA WHEN CHANGING TO A SMALLER PIN.
6. BOTTOM PLUG KNOCKOUT TOOL PART NUMBER 69729 WITH TIP PART NUMBER 69728-2.
7. MATERIAL: SPRING: BERYLLIUM COPPER QQ-C-533
 EYELET: COPPER, QQ-C-576

BOTTOM TYPE	RECOMMENDED PIN DIA	EYELET FINISH	SPRING FINISH	PART NO
CLOSED	0.86-1.04 [.034-.041]	TIN	TIN	5050865-8
KNOCKOUT				5050865-7
OPEN		GOLD	GOLD	5050865-6
CLOSED				5050865-5
OPEN				5050865-3
KNOCKOUT				5050865-1

THIS DRAWING IS A CONTROLLED DOCUMENT.		DWN J. ALCORTA - DOCK5 20APR2005	TE Connectivity	
DIMENSIONS: mm [INCHES]		CHK J. HAVENER 25JUL2005	MINIATURE SPRING SOCKET ASSEMBLY SERIES 4	
TOLERANCES UNLESS OTHERWISE SPECIFIED:		APVD J. HAVENER 25JUL2005	NAME	RESTRICTED TO
0 PLC ± -	1 PLC ± -	PRODUCT SPEC	108-14008	
2 PLC ± -	3 PLC ± 0.20 [.008]	APPLICATION SPEC	114-13152	
4 PLC ± -	ANGLES ± -	WEIGHT	-	
MATERIAL	FINISH	SIZE	CAGE CODE	DRAWING NO
	SEE TABLE	A2	00779	C=5050865
CUSTOMER DRAWING			SCALE	SHEET
			20:1	1 of 1
			REV	A1

X-ON Electronics

Largest Supplier of Electrical and Electronic Components

Click to view similar products for IC & Component Sockets category:

Click to view products by TE Connectivity manufacturer:

Other Similar products are found below :

[714-43-102-31-012000](#) [0066-3-17-15-30-14-02-0](#) [0134-0-15-15-32-27-04-0](#) [614-DG5](#) [6527-0-00-15-00-00-03-0](#) [670](#) [672](#) [673](#) [712-93-120-41-001000](#) [714-93-104-31-018000](#) [8059-4G1-LF](#) [807-22-001-10-001101](#) [807-22-001-10-003101](#) [807-22-001-10-004101](#) [807-22-001-10-006101](#) [807-22-001-30-011101](#) [807-22-001-30-012101](#) [807-22-001-30-013101](#) [807-22-001-30-014101](#) [8-1437531-4](#) [8150-6P10](#) [833-93-034-10-001000](#) [835-43-014-10-001000](#) [851-41-006-10-001000](#) [851-43-008-20-001000](#) [851-43-014-20-001000](#) [851-93-006-20-001000](#) [851-93-010-20-001000](#) [853-43-020-10-001000](#) [86.010.0053.0](#) [116-43-306-41-003000](#) [116-43-308-41-007000](#) [116-87-308-41-007101](#) [PX-68LCC](#) [PX-84LCC](#) [121-13-318-41-001000](#) [121-13-320-41-001000](#) [121-13-308-41-001000](#) [123-43-314-41-801000](#) [123-43-420-41-001000](#) [123-43-636-41-001000](#) [123-87-320-41-001101](#) [122-13-316-41-001000](#) [123-13-624-41-001000](#) [123-43-306-41-001000](#) [123-43-322-41-801000](#) [123-43-428-41-001000](#) [123-43-624-41-001000](#) [12-3513-11](#) [123-91-320-41-001000](#)