

# Totalizers mechanic

Stroke, piece and revolution counters

Display 4- or 5-digits, reset button

H 127, T 127, U 127



H 127 - Stroke counter



T 127 - Piece counter with lever



U 127 - Revolution counter

## Features

- Stroke, piece and revolution counters
- Adding
- Display 5-digits (H 127, U 127)
- Display 4-digits (T 127)
- Manual reset by knurled knob

## Technical data - mechanical design

Display	White numbers on black
Digit height	4.5 mm
Reset	Reset by knurled knob
Ambient temperature	0...+60 °C
Housing type	Surface mount housing with mounting plate
Housing colour	Grey
Dimensions W x H x L	40 x 29 x 27.5 mm
Dimensions mounting plate	40 x 46 mm
Mounting	Base plate, 2 long mounting holes
Weight approx.	90 g
Materials	Housing: Hostaform POM, grey Base plate: steel zinc-coated

# Totalizers mechanic

## Stroke, piece and revolution counters

### Display 4- or 5-digits, reset button

H 127, T 127, U 127

#### Technical data - mechanical design

##### H 127

Function	Stroke counter
Number of digits	5 digits
Count mode	Adding in a stroke direction to be indicated. 1 stroke = 1 count
Drive shaft	Right or left, $\varnothing 4$ mm
Stroke	$>38^\circ$ to $<60^\circ$
Stroke lever	To be positioned on shaft at will. Stroke lever relocates automatically to start position.
Stroke frequency	$\leq 500$ strokes/min
Measuring range	99 999

##### T 127

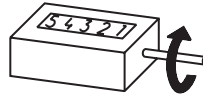
Function	Piece counter with lever
Number of digits	4-digits
Count mode	1 button touch = 1 count
Drive shaft	Only available with lever provided at right
Stroke	$>38^\circ$ to $<60^\circ$
Measuring range	9999

##### U 127

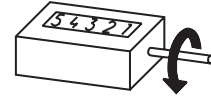
Function	Revolution counter
Number of digits	5 digits
Count mode	Adding in a rotational direction to be indicated, subtracting in reverse direction. 1 rev. = 1 count
Drive shaft	Right or left, $\varnothing 4$ mm
Operating speed	$\leq 2000$ rpm
Measuring range	99 999

#### Direction of strokes and rotation

##### Drive on the right

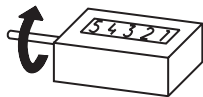


Reset button left  
Away from user  
Sense of rotation or stroke direction I

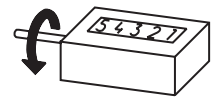


Reset button left  
Toward user  
Sense of rotation or stroke direction II

##### Drive on the left



Reset button right  
Way from user  
Sense of rotation or stroke direction I



Reset button right  
Toward user  
Sense of rotation or stroke direction II

Reset button always opposite of drive.

# Totalizers mechanic

## Stroke, piece and revolution counters

### Display 4- or 5-digits, reset button

H 127, T 127, U 127

#### Part number

##### Stroke counter

H 127.0

- Display / direction of stroke
  - G 5 digits 99 999 / I
  - H 5 digits 99 999 / II
- Count mode / drive
  - 01 1 stroke = 1 digit / drive shaft at right
  - 02 1 stroke = 1 digit / drive shaft at left
- Housing
  - A Surface mount housing, grey
- Reset
  - 1 Reset button at left
  - 2 Reset button at right

##### Piece counter

T 127.

- Design
  - 001 Display 4-digits, stroke direction II, Reset button left, 1 stroke = 1 digit Housing grey, surface mount

##### Revolution counter

U 127.0

- Display / direction of rotation
  - G 5 digits 99 999 / I
  - H 5 digits 99 999 / II
- Count mode / drive
  - 01 1 revolution = 1 digit / drive shaft at right
  - 02 1 revolution = 1 digit / drive shaft at left
- Housing
  - A Surface mount housing, grey
- Reset
  - 1 Reset button at left
  - 2 Reset button at right

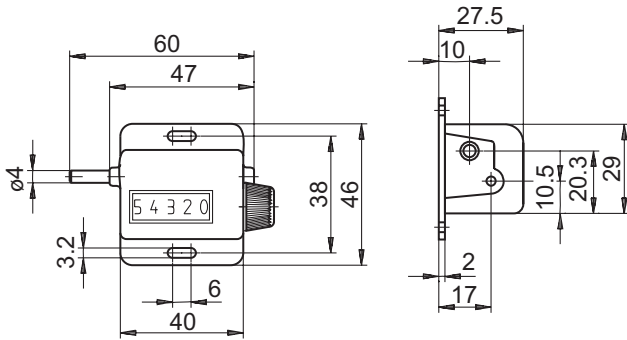
# Totalizers mechanic

Stroke, piece and revolution counters  
Display 4- or 5-digits, reset button

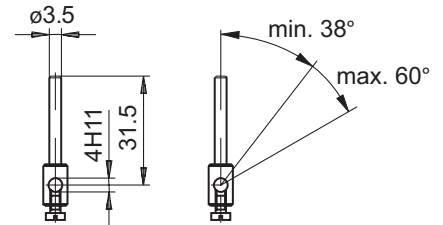
H 127, T 127, U 127

## Dimensions

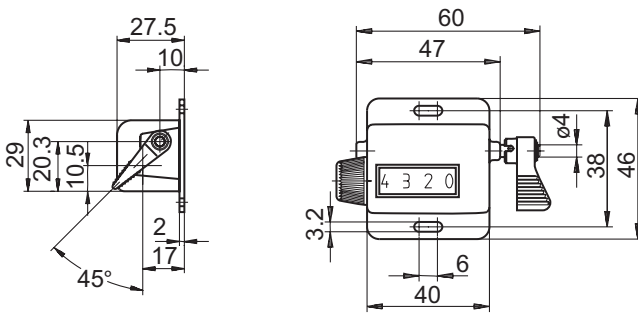
### H 127, U 127



### Stroke lever and stroke



### T 127



## X-ON Electronics

Largest Supplier of Electrical and Electronic Components

*Click to view similar products for [Counters & Tachometers](#) category:*

*Click to view products by [Baumer](#) manufacturer:*

Other Similar products are found below :

[LC2H-FE-2K-N](#) [H7CN-XLN DC12-48](#) [LC24-F-N](#) [H7CXAWD1NDC1224AC24](#) [H7ER-NV1-H](#) [H7CX-A114S-N AC100-240](#) [H7CX-AWSD-N-DC12-24](#) [H7CX-AU-N AC100-240](#) [GPMZC-SET](#) [CX6S-1P2F](#) [CX6S-1P4F](#) [CX6S-2P2F](#) [CX6S-2P4F](#) [H127.010A01H](#) [H5KLR-11 100-240V AC/DC](#) [H7CX-AUD1-N](#) [H7CX-AW-N](#) [3.550.401.075](#) [3.550.401.351](#) [LC2H-C-2K-N](#) [LC2H-C-30-N](#) [LC2H-F-DL-2KK](#) [LC4H-R4-AC240VS](#) [LC4H-R6-AC240V](#) [1.150.510.012.550](#) [1.150.510.054.550](#) [1.150.510.056.550](#) [6.520.012.300](#) [6.560.010.300](#) [SLE-73-1400-1-4-01](#) [SLIK-94-1521-1-3-001](#) [SLN-94-1421-1-3](#) [SPI-73-1411-1-3-011](#) [CT6S-1P4](#) [Y-50](#) [LC4H-R4-AC24V](#) [LC4H-R4-DC24V](#) [CT6S-2P4](#) [LC2H-F-DL-2KK-B](#) [LC2H-FE-DL-2KK-B](#) [LC2H-FE-FV-30](#) [H127.010A01G](#) [H5KLR-8B 12-48 AC/DC](#) [H7CX-A11-N](#) [H7CX-AD-N](#) [H7CX-AU-N](#) [H7ER-NV1](#) [H8DA 12-48V AC/DC](#) [87622062](#) [99776901](#)