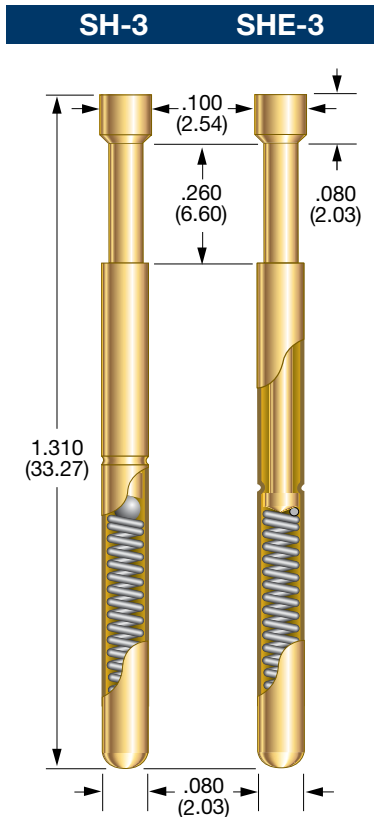
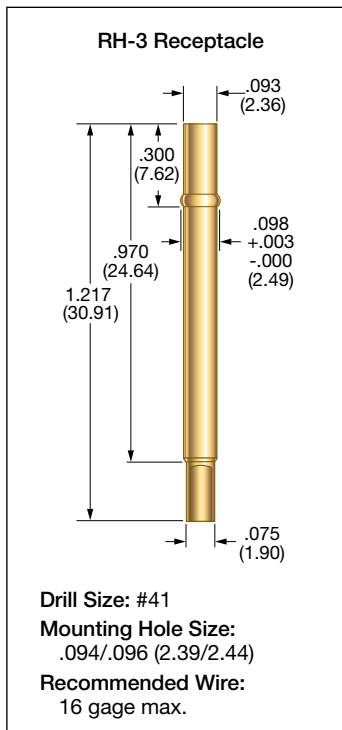


.125 CENTERS SH-3 and SHE-3



PROBE SPECIFICATIONS

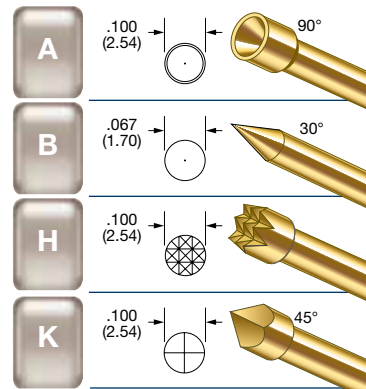
Minimum Centers: .125 (3.18)
 Current Rating:
 SHE-3: 14 amps continuous
 SH-3: 27 amps continuous
 (Individual probe in free air @ ambient temperature)
 Spring Force: 7.0 oz. @ .170 (4.32) travel
 Maximum Travel: .250 (6.35)
 Working Travel: .170 (4.32)

Rated Force oz. (g)	Preload oz. (g)
7.0 (199)	2.9 (82)

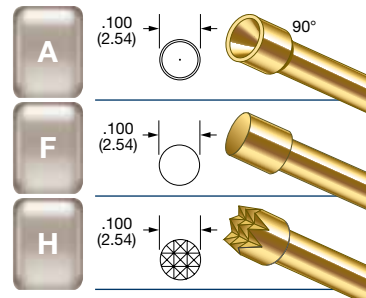
MATERIALS

Barrel: High performance copper alloy, gold plated
 Spring: Stainless steel
 Plunger: Beryllium copper, gold plated
 Ball: SH probe: Stainless steel
 Receptacle: Copper alloy, gold plated

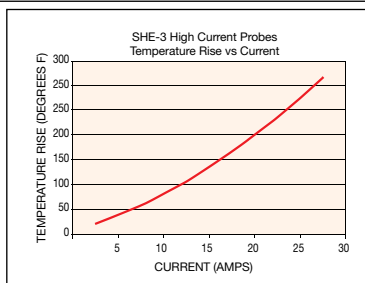
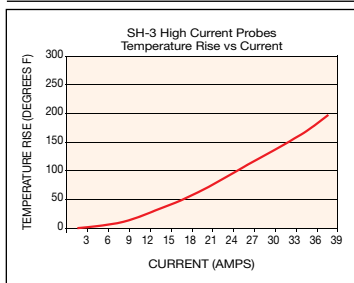
SHE-3 PLUNGER TIPS



SH-3 PLUNGER TIPS



.125 CENTER HIGH CURRENT PROBES



IDL current ratings are defined as the maximum current at which the temperature rise of the probe does not exceed 144°F (80°C) for a single probe in free air at ambient temperature for one hour.

RECEPTACLE OPTIONS

Part Number	Style	Receptacle Length	Probe/Receptacle Combined Length	Comments
RH-3-SC	Solder Cup	1.217 (30.91)	1.539 (39.09)	—

HOW TO ORDER: SPRING CONTACT PROBE

SHE **3** **A** **7** **G**
 SERIES SIZE TIP STYLE SPRING FORCE PLATING OPTIONS

SERIES:
 SHE: 14 AMPS
 SH: 27 AMPS

RECEPTACLE

RH **3** **SC**
 SERIES SIZE TERMINATION

TERMINATIONS:
 SC: SOLDER CUP

VIEW UPDATES OF THIS INFORMATION AT WWW.IDINET.COM

Specifications subject to change without notice. Dimensions in inches (millimeters)

X-ON Electronics

Largest Supplier of Electrical and Electronic Components

Click to view similar products for [interconnect devices](#) manufacturer:

Other Similar products are found below :

[Interconnect Devices](#)