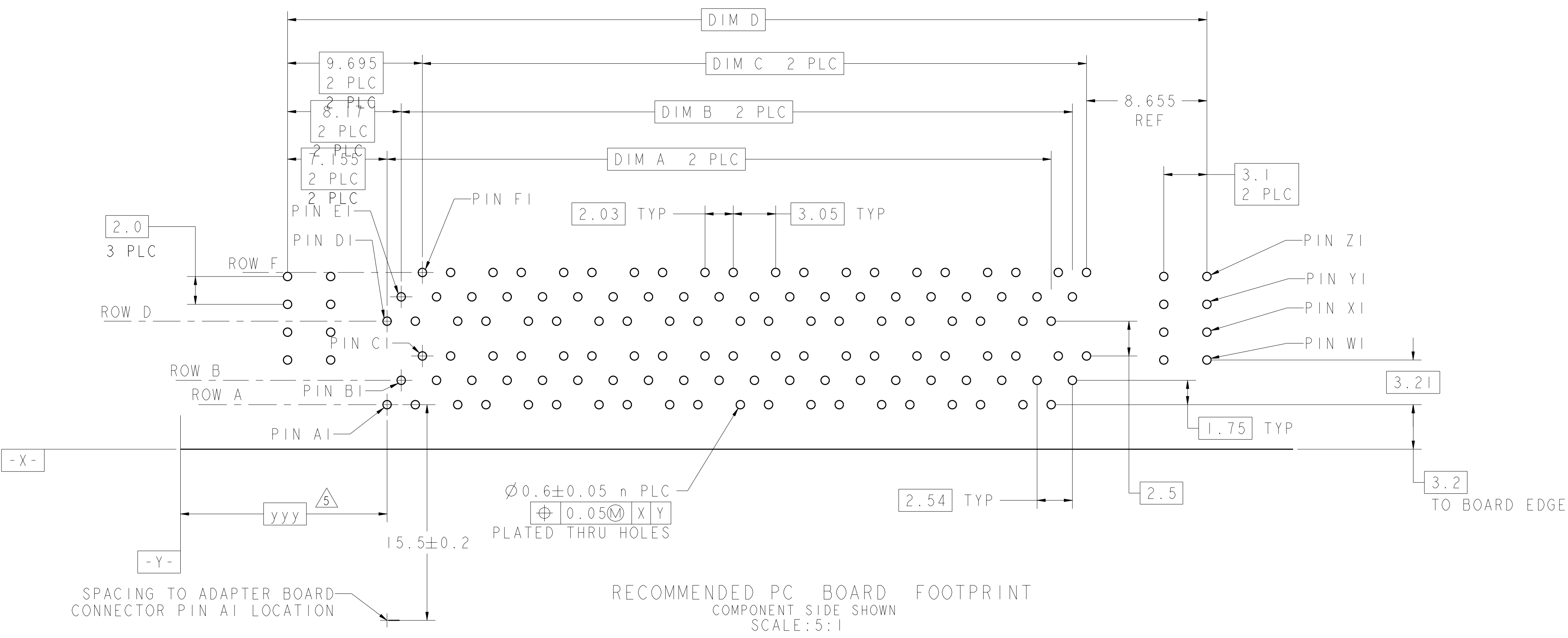
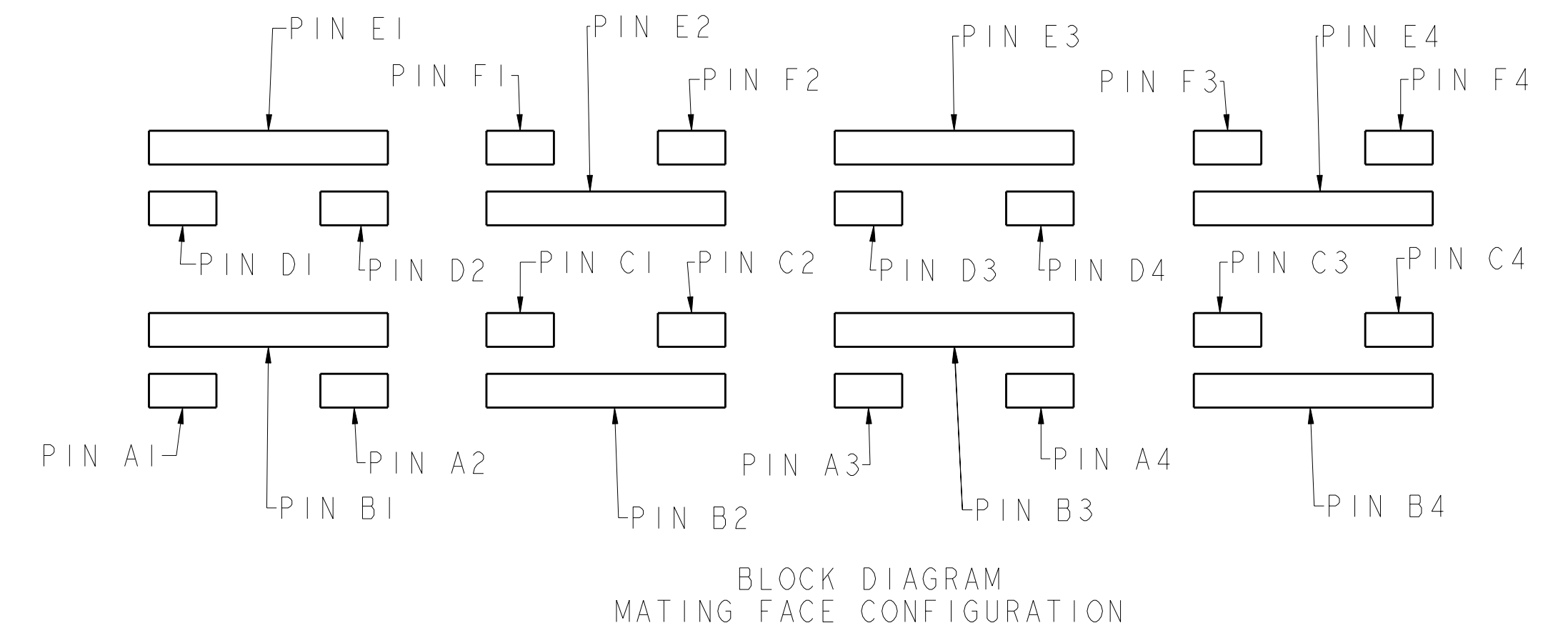
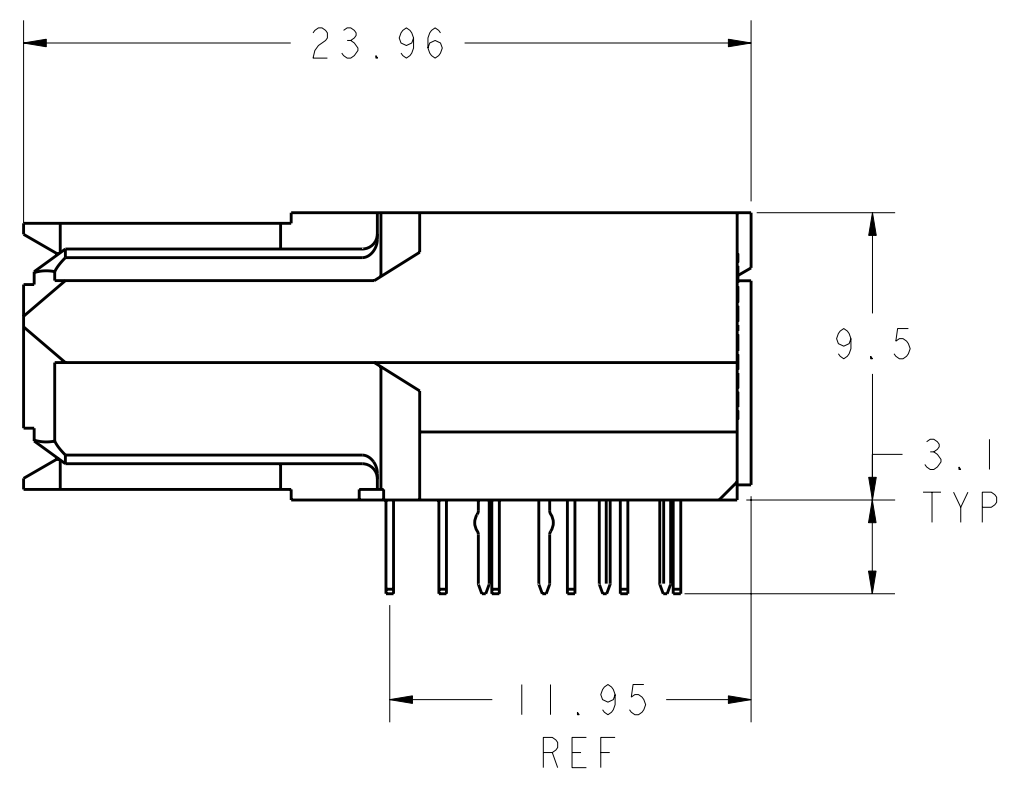
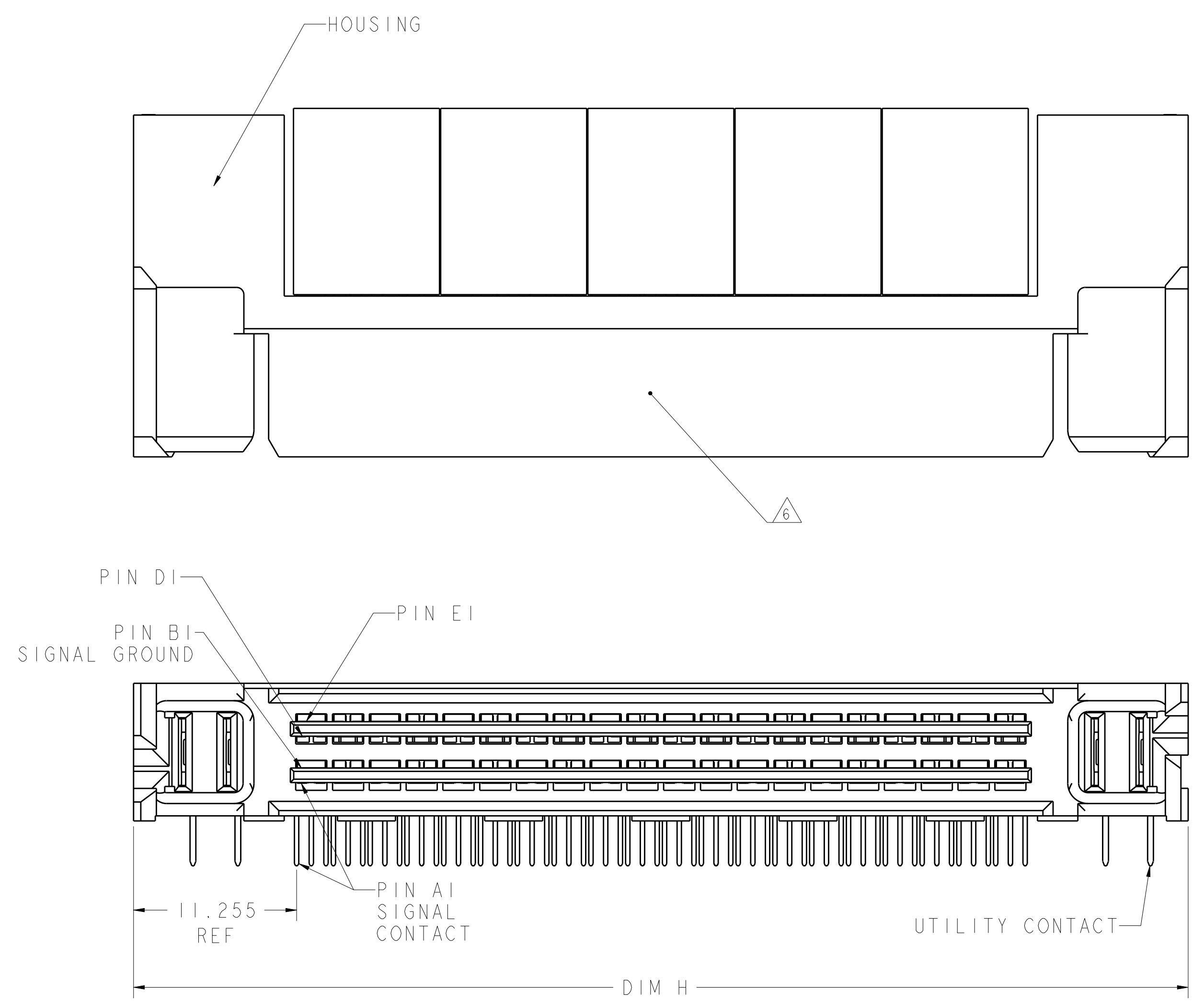


LOC	DIST	REV	DATE	BY	APPD
GP	00	B	14DEC2010	CJV	EJB

- △ HOUSINGS; POLYESTER, UL 94 V-0 RATED, NATURAL SIGNAL AND SIGNAL GROUND CONTACTS: COPPER ALLOY UTILITY CONTACTS: PHOSPHOR BRONZE
- △ UTILITY CONTACTS: 0.76um MIN GOLD IN CONTACT AREA, 2.54um MIN TIN ON PCB TAILS, OVER 1.27um MIN NICKEL OVER ALL. SIGNAL AND SIGNAL GROUND CONTACTS: 0.76um MIN GOLD IN CONTACT AREA, 2.54um MIN TIN ON PCB TAILS, OVER 1.27um MIN NICKEL OVER ALL.
- 3. ROWS A, C, D, AND F ARE SIGNAL CONTACTS. ROWS B AND E ARE SIGNAL GROUND CONTACTS.
- △ CONNECTOR SIZE CAN ACCOMMODATE INDICATED QUANTITY OF DIFFERENTIAL PAIRS.
- △ DIMENSIONS PER CUSTOMER BOARD LAYOUT.
- △ COMPANY LOGO IN APPROXIMATE AREA SHOWN.



232	113.44	106.74	88.90	88.39	72	6367580-9
208	103.28	96.58	78.74	78.23	64	6367580-8
184	93.12	86.42	68.58	68.07	56	6367580-7
160	82.96	76.26	58.42	57.91	48	6367580-6
136	72.80	66.10	48.26	47.75	40	6367580-5
112	62.64	55.94	38.10	37.59	32	6367580-4
88	52.48	45.78	27.94	27.43	24	6367580-3
64	42.32	35.62	17.78	17.27	16	6367580-2
40	32.16	25.46	7.62	7.11	8	6367580-1
N	H DIM	D DIM	B DIM	A OR C DIM	DIFF PAIRS △	PART NUMBER

DIMENSIONS: mm 		TOLERANCES UNLESS OTHERWISE SPECIFIED: 0 PLC ± 1 PLC ±0.3 2 PLC ±0.25 3 PLC ± 4 PLC ± ANGLES ±		DWN: WM VAN SCOOC 27MAR05 CHK: N. REESER 27MAR05 APVD: N. REESER 27MAR05 PRODUCT SPEC: 108-1985 APPLICATION SPEC: 114-13068 WEIGHT: - CUSTOMER DRAWING		Tyco Electronics Harrisburg, PA 17105-3608 NAME: Z-DOK+ HOST BOARD CONNECTOR ASSEMBLY, 8-72 SIGNAL DIFF. PAIR, 2 UTILITY CONTACTS PER SIDE SIZE: A11 CAGE CODE: 00779 DRAWING NO: 6367580 RESTRICTED TO: B	
MATERIAL: △ FINISH: △		SCALE: 4:1 SHEET: 1 OF 1 REV: B					

X-ON Electronics

Largest Supplier of Electrical and Electronic Components

Click to view similar products for [High Speed/Modular Connectors](#) category:

Click to view products by [TE Connectivity](#) manufacturer:

Other Similar products are found below :

[2332816-1](#) [89006-1137LF](#) [650827-1](#) [65762-001LF](#) [73474-201LF](#) [74040-1346](#) [74075-0267](#) [1410191-1](#) [1410337-1](#) [1410368-3](#) [1410964-2](#)
[1410367-3](#) [1410971-4](#) [1467833-1](#) [2000877-1](#) [2000878-1](#) [2041314-1](#) [2065387-1](#) [2187307-1](#) [2187462-1](#) [2226278-6](#) [KA81-07](#) [91290-101LF](#)
[163P](#) [1934290-1](#) [2000875-1](#) [2065917-1](#) [2102736-2](#) [FSR-40](#) [2169868-2](#) [2226279-2](#) [22354-8](#) [437-5040-000](#) [5-1393565-0](#) [532449-3](#) [532803-](#)
[2](#) [34745-0001](#) [0736440217](#) [1-1393708-5](#) [72388-0021LF](#) [73774-1000](#) [740401386](#) [532939-1](#) [5-531355-3](#) [5532901-3](#) [85838-180LF](#)
[HM1S43TRR460H6PLF](#) [0760205010](#) [1-966831-4](#) [3-1469268-7](#)