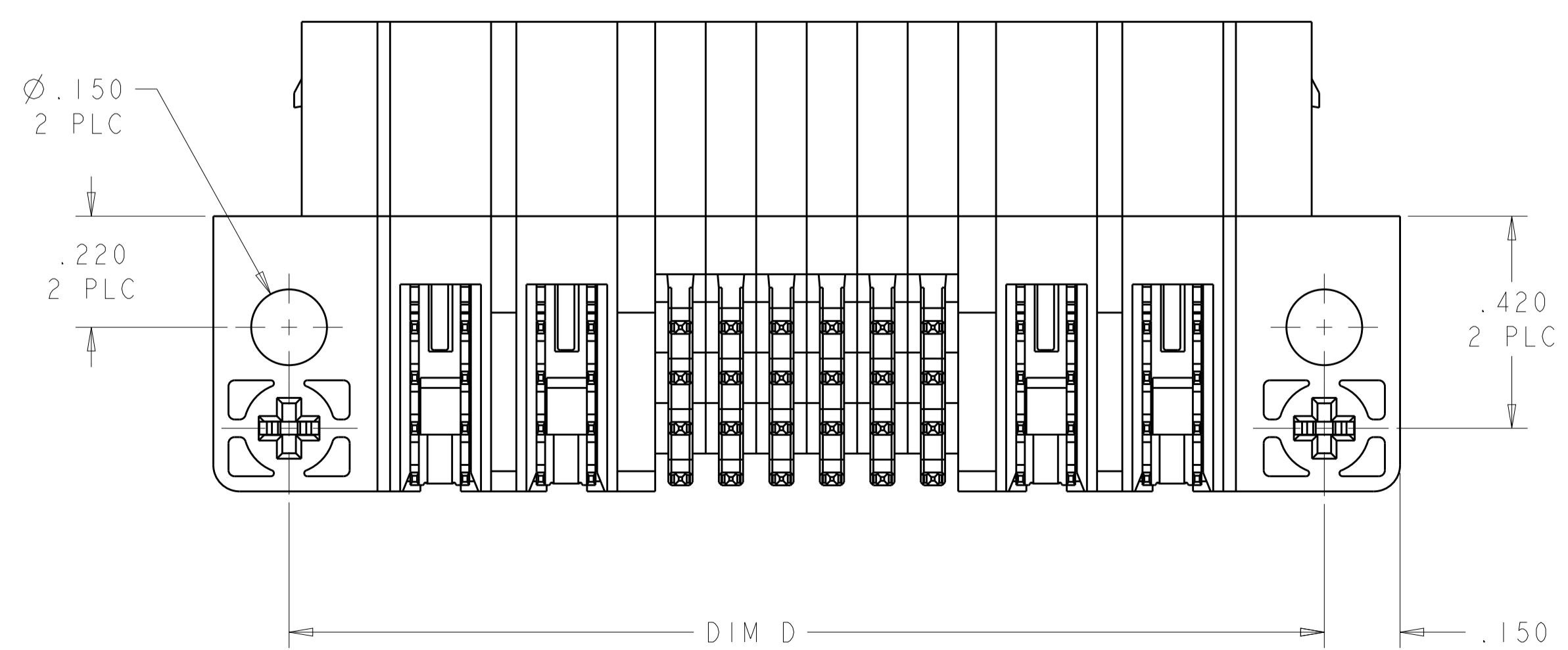
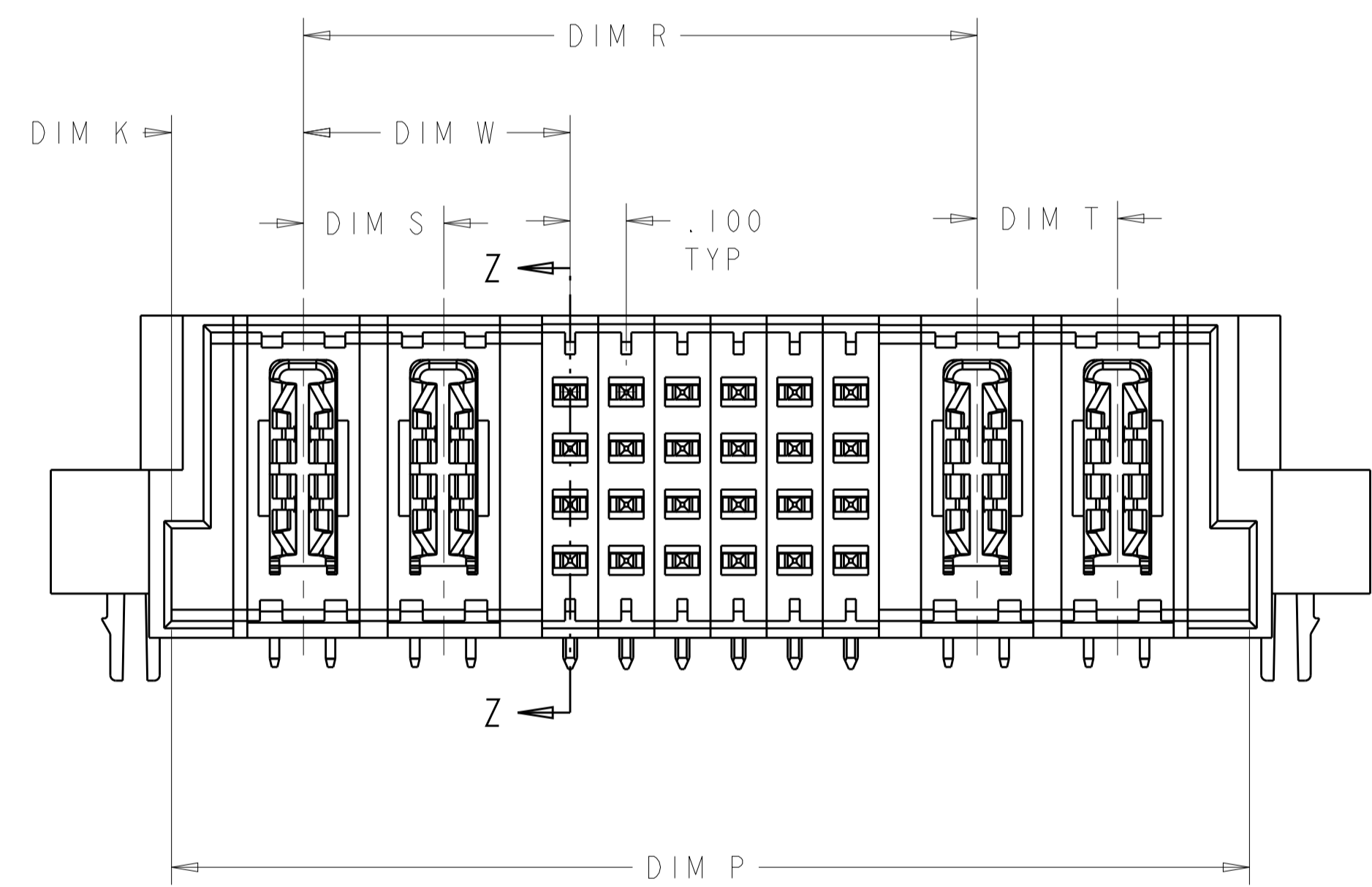
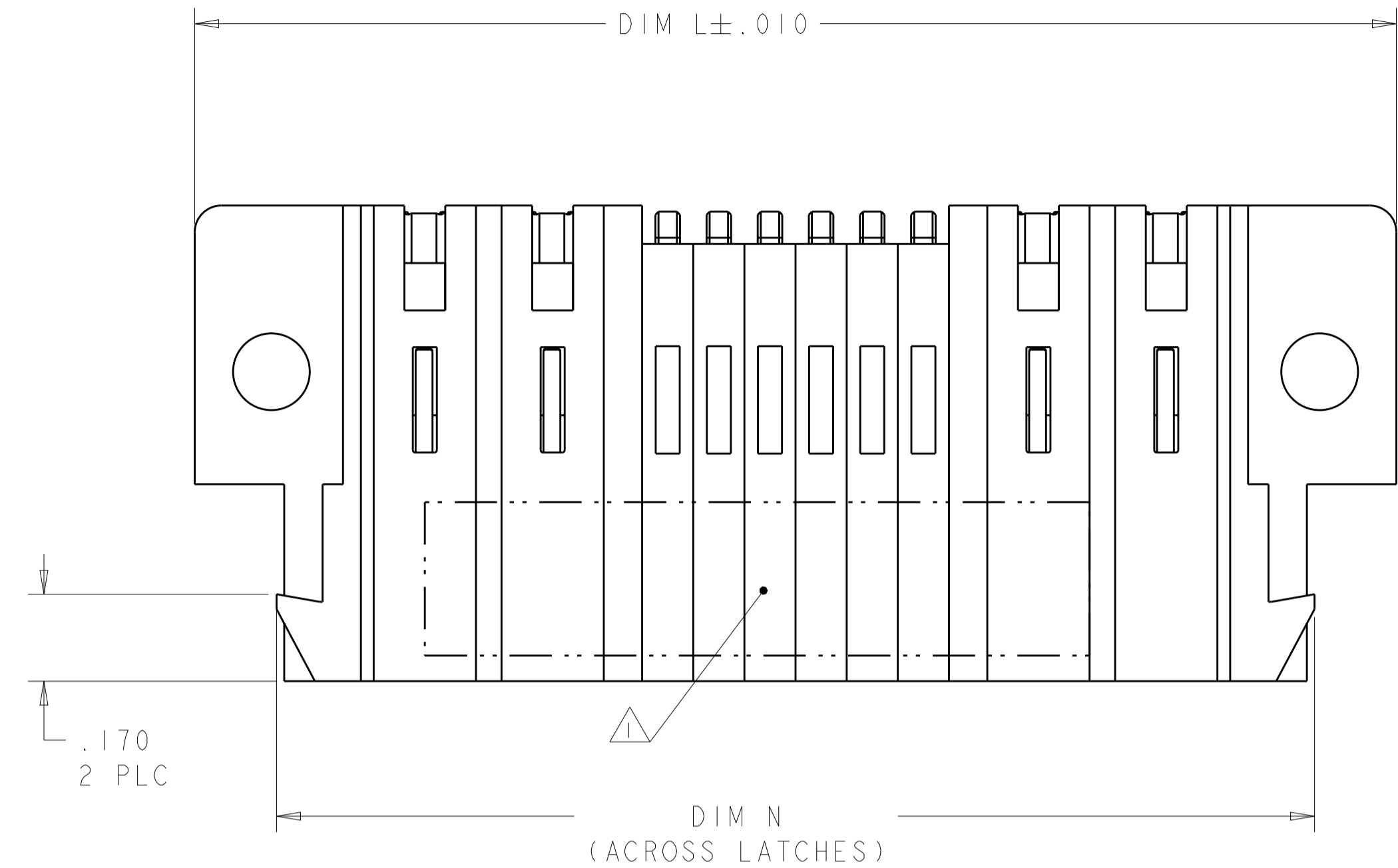
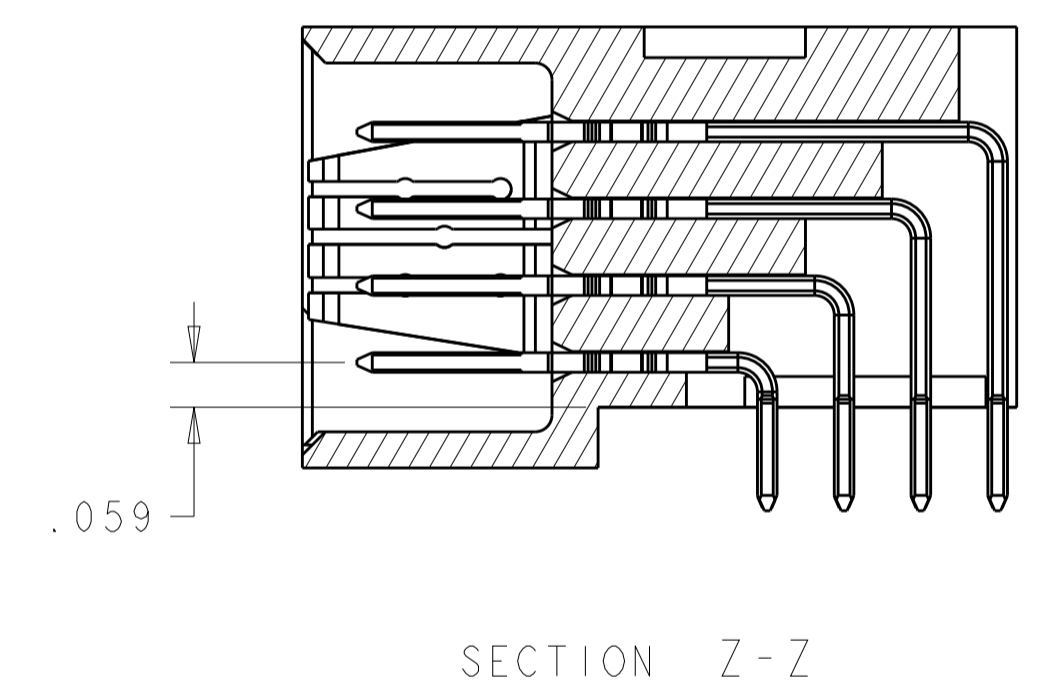
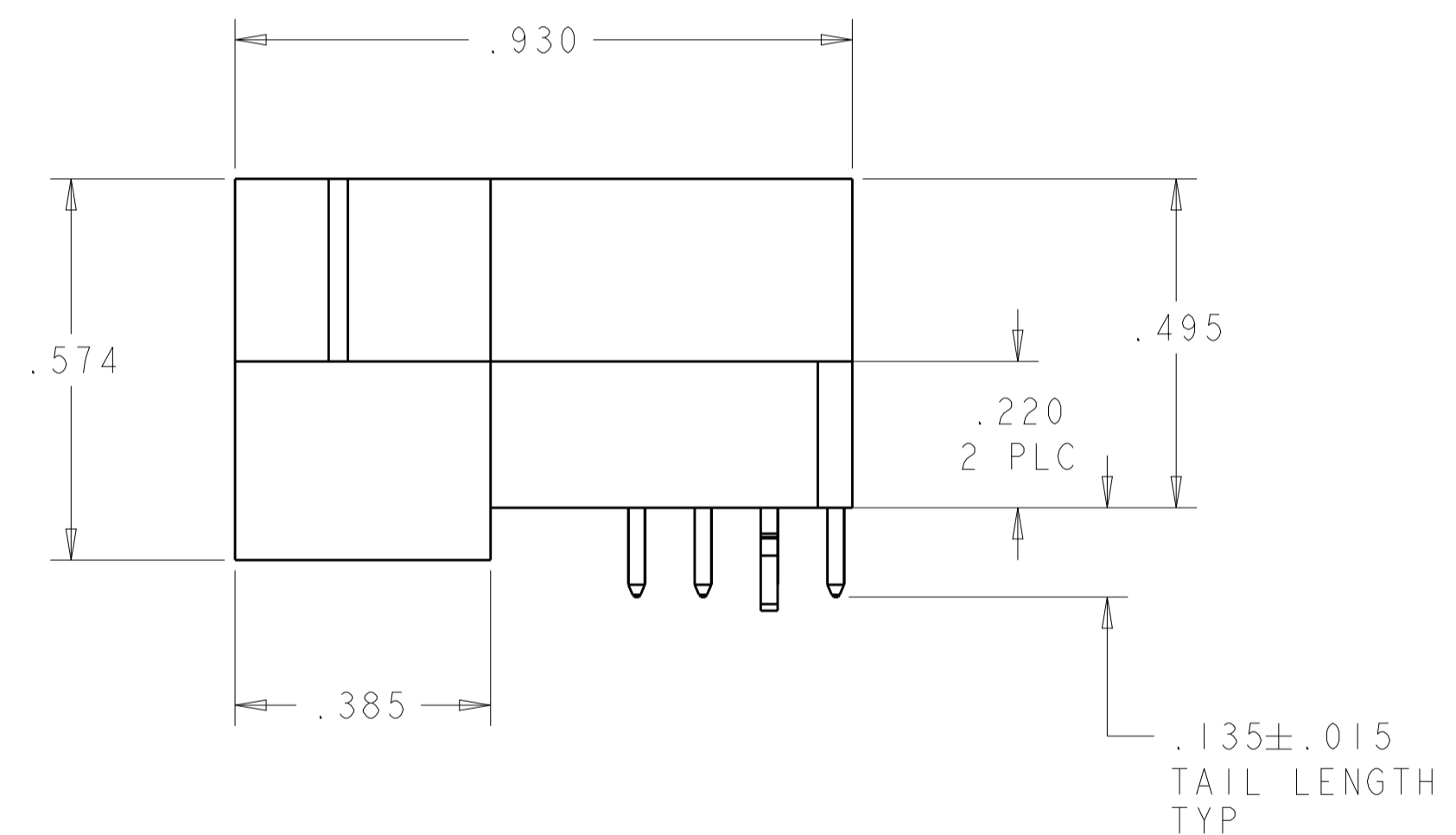


LOC		DIST		REVISIONS			
GP	00	P	LTM	DESCRIPTION	DATE	DMN	APVD
		D1		ADD NEW PART -12	160CT2012	AY	SZ



- 1 "AMP" PART NUMBER AND DATE CODE TO BE MARKED IN AREA SHOWN. PARTS UNDER 2.500 LONG MAY BE MARKED ON BOTH SIDES.
- 2 MATERIAL: HOUSING - GLASS FILLED HIGH TEMP THERMO PLASTIC, UL 94 V-0
 SIGNAL CONTACT - COPPER ALLOY
 POWER CONTACT - HIGH CONDUCTIVITY COPPER ALLOY.
- 3 CONTACT PLATING: NOBLE METAL PLATING AT CONTACT FUNCTIONAL AREA OF SIGNAL CONTACT AND POWER CONTACT.
- 4 MECHANICAL CONNECTOR KEEP OUT ZONE. WHEN PLACING CONNECTORS END-TO-END, ALLOW ADDITIONAL 0.1 CLEARANCE BETWEEN CONNECTORS FOR LATCH ACTIVATION.
- 5 DATUM AND BASIC DIMENSIONS ESTABLISHED BY CUSTOMER.
- 6 PCB - ALL HOLE DIAMETERS ARE FINISHED HOLE SIZES.
- 7 PCB - .0453±.0010 DRILLED HOLES PLATED WITH .0003 MIN Sn OVER .001 TO .003 Cu PLATING TO ACHIEVE A .040 DIA HOLE.
- 8 NOT RELEASED FOR PRODUCTION.



DIM P	DIM N	DIM D	DIM R	DIM W	DIM T	DIM S	DIM L	DIM K	DESCRIPTION	PART NUMBER
1.120	1.230	1.250	.700	.200	-	-	1.550	.210	1P + 16S + 1P	1-6450128-2
2.970	3.080	3.100	1.800	.850	.300	.300	3.400	.285	3ACP + 32S + 3ACP	1-6450128-1
2.770	2.880	2.900	1.600	.850	.300	.300	3.200	.285	3ACP + 24S + 3ACP	1-6450128-0
1.520	1.630	1.650	-	.925	-	.250	1.950	.235	4P + 12S + 0P	6450128-9
3.920	4.030	4.050	2.200	1.475	.250	.250	4.350	.235	6P + 24S + 6P	6450128-8
2.920	3.030	3.050	1.700	.975	.250	.250	3.350	.235	4P + 24S + 4P	6450128-5
1.920	2.030	2.050	1.200	.475	.250	.250	2.350	.235	2P + 24S + 2P	6450128-2
1.420	1.530	1.550	.950	.225	-	-	1.850	.235	1P + 24S + 1P	6450128-1

THIS DRAWING IS A CONTROLLED DOCUMENT.

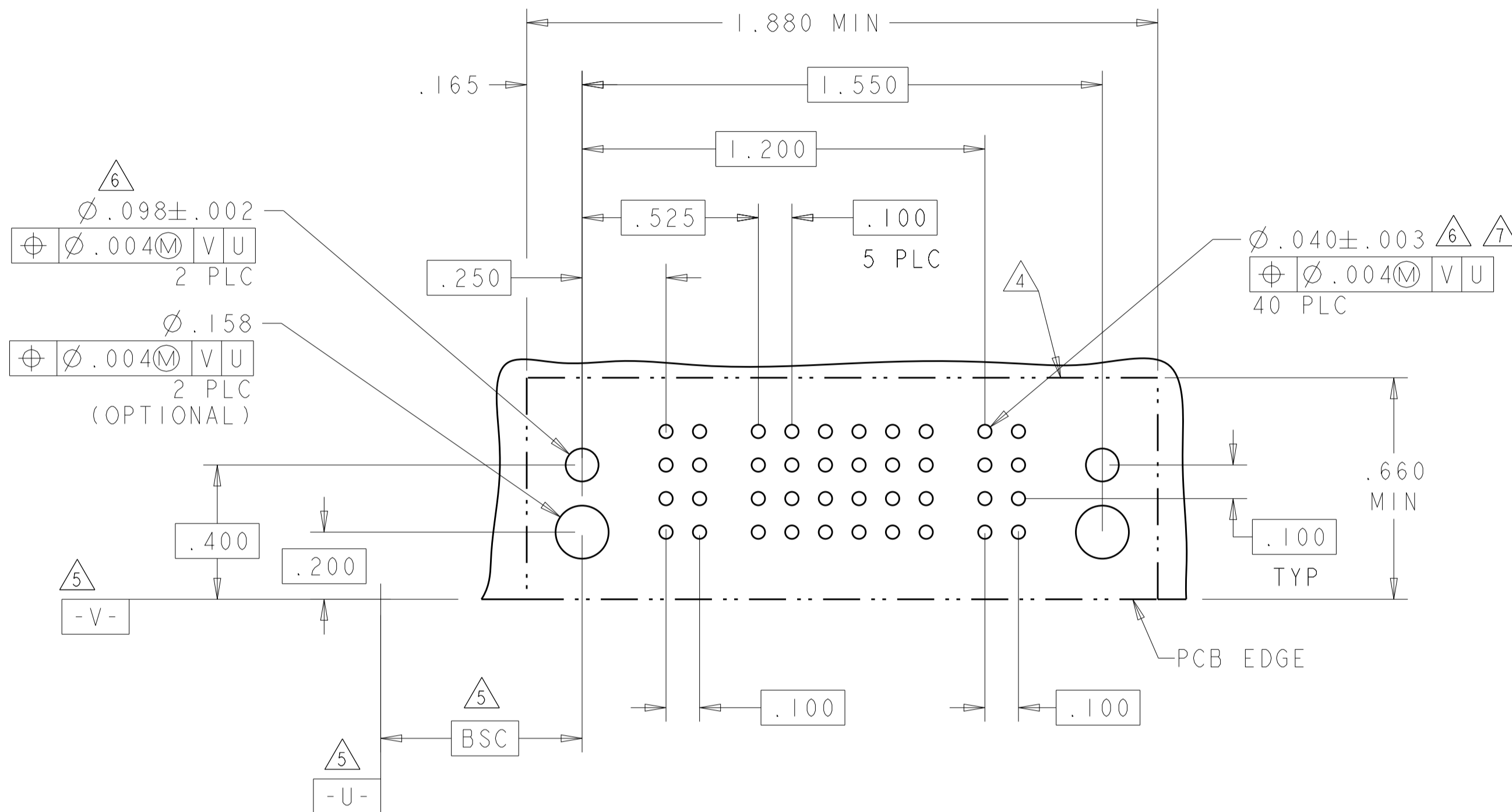
DIMENSIONS: INCHES	TOLERANCES UNLESS OTHERWISE SPECIFIED:	DMN R. GRZYBOWSKI TOFEB05	CHK M. PERCHERKE TOFEB05	STE TE Connectivity	
0 PLC ±.01	1 PLC ±.01	APVD M. PERCHERKE	NAME	RIGHT ANGLE HEADER ASSEMBLY W/END LATCHES MULTI-BEAM XL	
2 PLC ±.01	3 PLC ±.005	PRODUCT SPEC	108-1973	SIZE	CAGE CODE DRAWING NO
4 PLC ±.0020	ANGLES ±.0020	APPLICATION SPEC	114-13038	RESTRICTED TO	
MATERIAL	FINISH	WEIGHT	114-13038	SCALE	4:1
		CUSTOMER DRAWING	A100779C=6450128	SHEET	1 OF 5

THIS DRAWING IS UNPUBLISHED. RELEASED FOR PUBLICATION. ALL RIGHTS RESERVED.

LOC	DIST	REVISIONS			
GP	00	REV	DESCRIPTION	DATE	APP'D
			SEE SHEET 1		

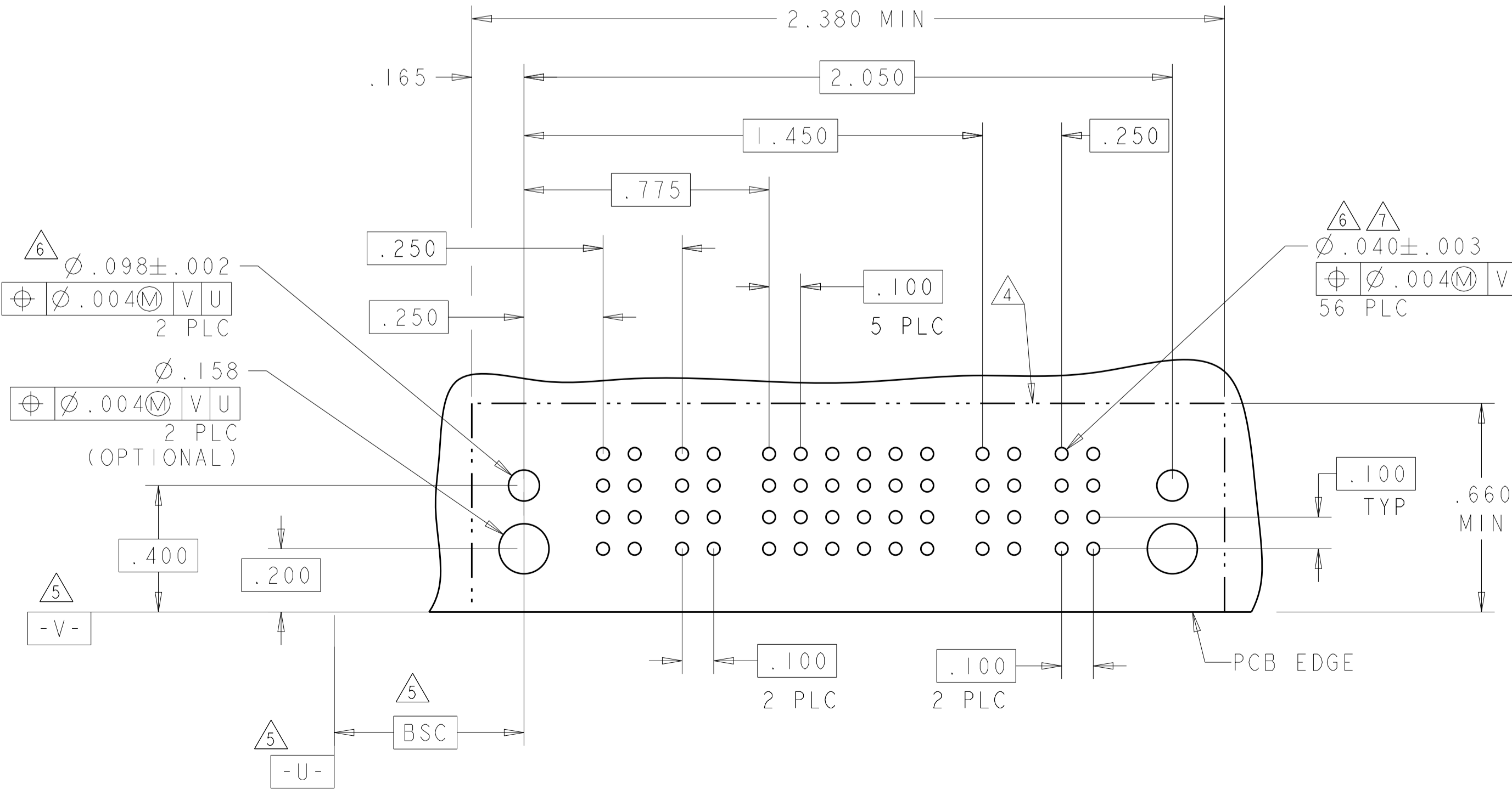
PART NUMBER	ROWS	POWER						SIGNAL						POWER	
		PI		1	2	3	4	5		6		P2			
		6450128-1	D C B A	PM		J	J	J	J	J	J	J	J	PM	
				N	N	N	N	N	N	N	N				
				S	S	S	S	S	S	S	S				

IP + 24S + IP



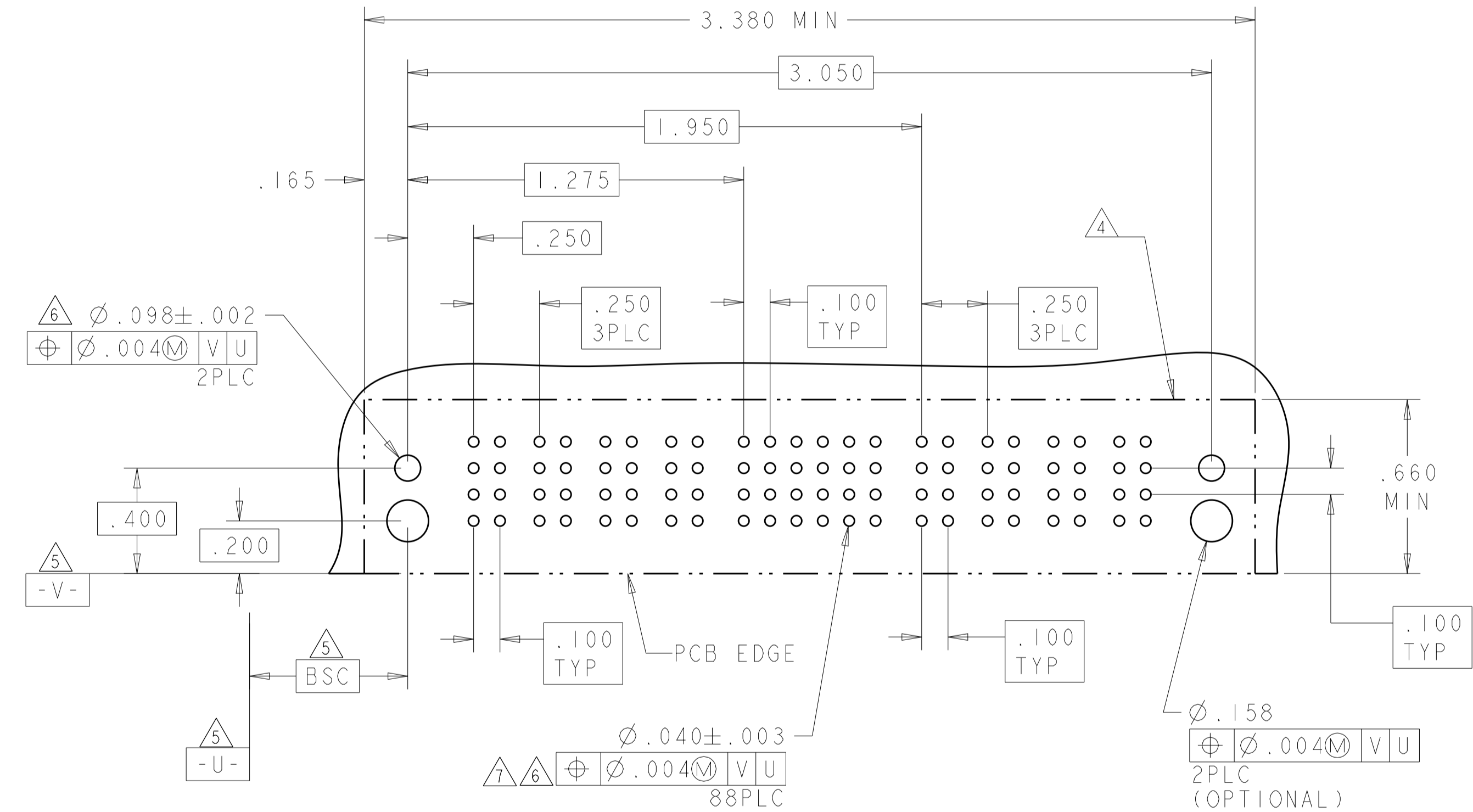
PART NUMBER	ROWS	POWER		SIGNAL						POWER			
		PI	P2	1	2	3	4	5		6		P3	P4
		6450128-2	D C B A	PM	PM	J	J	J	J	J	J	PM	PM
				N	N	N	N	N	N				
				S	S	S	S	S	S				

2P + 24S + 2P



PART NUMBER	ROWS	POWER				SIGNAL						POWER					
		PI		P2		1	2	3	4	5		6		P5		P8	
		6450128-5	D C B A	PM	PM	PM	PM	J	J	J	J	J	J	J	J	PM	PM
						N	N	N	N	N	N	N	N				
						S	S	S	S	S	S	S	S				

4P + 24S + 4P



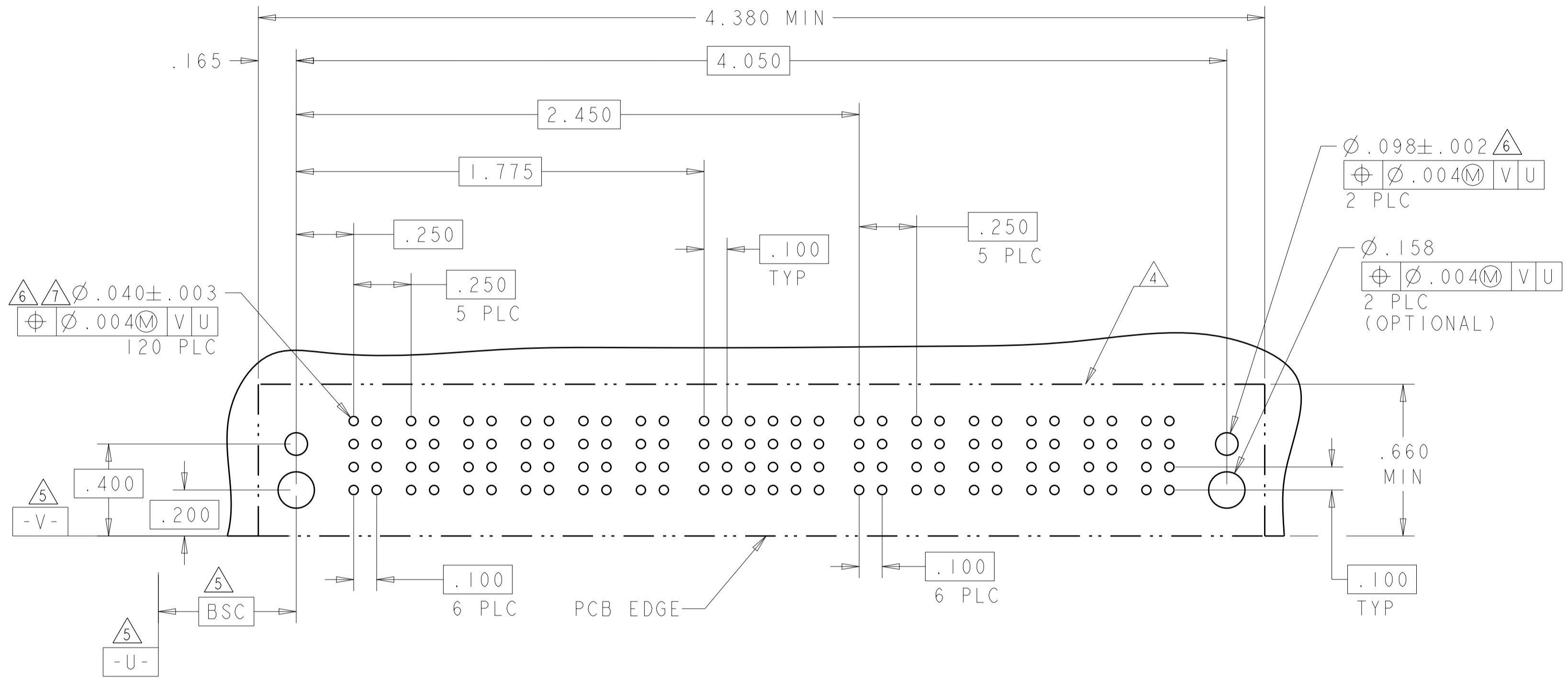
E	MLBF	.135	D
F	MLBF	.135	C
G	MLBF	.135	B
H	MLBF	.135	A
J	STD	.135	D
K	STD	.135	C
N	STD	.135	B
S	STD	.135	A
CODE	MATING SEQUENCE	TAIL LENGTH	ROW

CODE	TAIL LENGTH
PA	.090
PM	.135

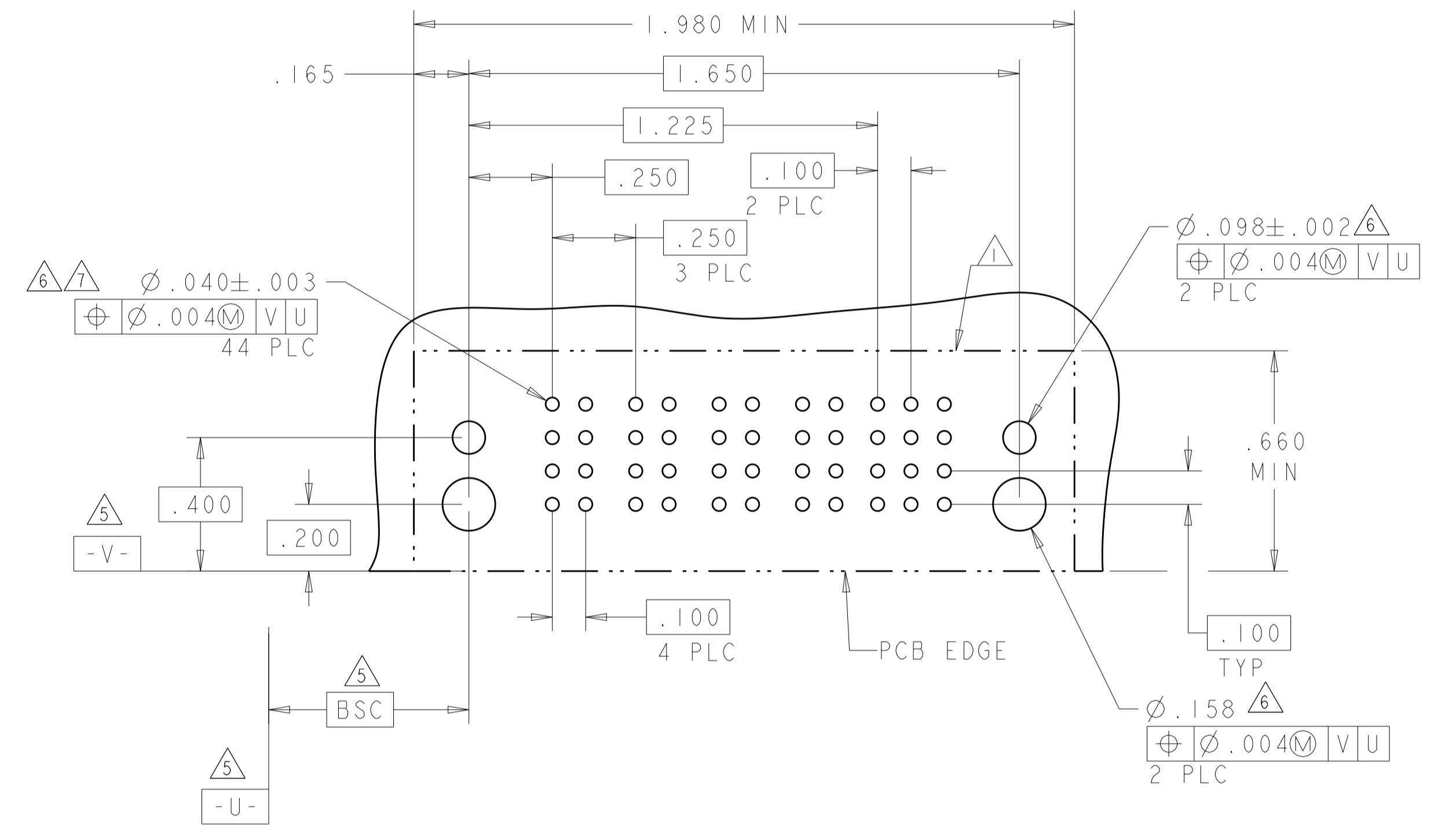
THIS DRAWING IS A CONTROLLED DOCUMENT. DIMENSIONS: INCHES. TOLERANCES UNLESS OTHERWISE SPECIFIED: 0 PLC ±.01, 2 PLC ±.01, 3 PLC ±.01, 4 PLC ±.005, ANGLES ±.0020. MATERIAL: FINISH:		DWN: R. GRZYBOWSKI CHK: M. PERCHERKE APVD: M. PERCHERKE PRODUCT SPEC: 108-1973 APPLICATION SPEC: 114-13038 WEIGHT:	TOFEBOS TOFEBOS NAME: M. PERCHERKE CUSTOMER DRAWING: A100779 SCALE: 4:1 SHEET: 2 of 5	 TE Connectivity RIGHT ANGLE HEADER ASSEMBLY W/END LATCHES MULTI-BEAM XL
---	--	---	--	---

LOC	DIST	REVISIONS			
GP	00	REV	DATE	BY	APPR
		-	SEE SHEET 1	-	-

PART NUMBER	ROWS	POWER						SIGNAL						POWER					
		P1	P2	P3	P4	P5	P6	1	2	3	4	5	6	P7	P8	P9	P10	P11	P12
6450128-8	D C B A	PM	PM	PM	PM	PM	E	E	E	E	E	J	PM	PM	PM	PM	PM	PM	
							F	F	F	F	F	F							
							G	G	G	G	G	G							
							S	H	H	H	H	H							
6P + 24S + 6P		HD						HD											



PART NUMBER	ROWS	POWER				SIGNAL		
		P1	P2	P3	P4	1	2	3
6450128-9	D C B A	PM	PM	PM	PM	J	J	J
						K	K	K
						N	N	N
						S	S	S
4P + 12S + 0P		HD				HD		

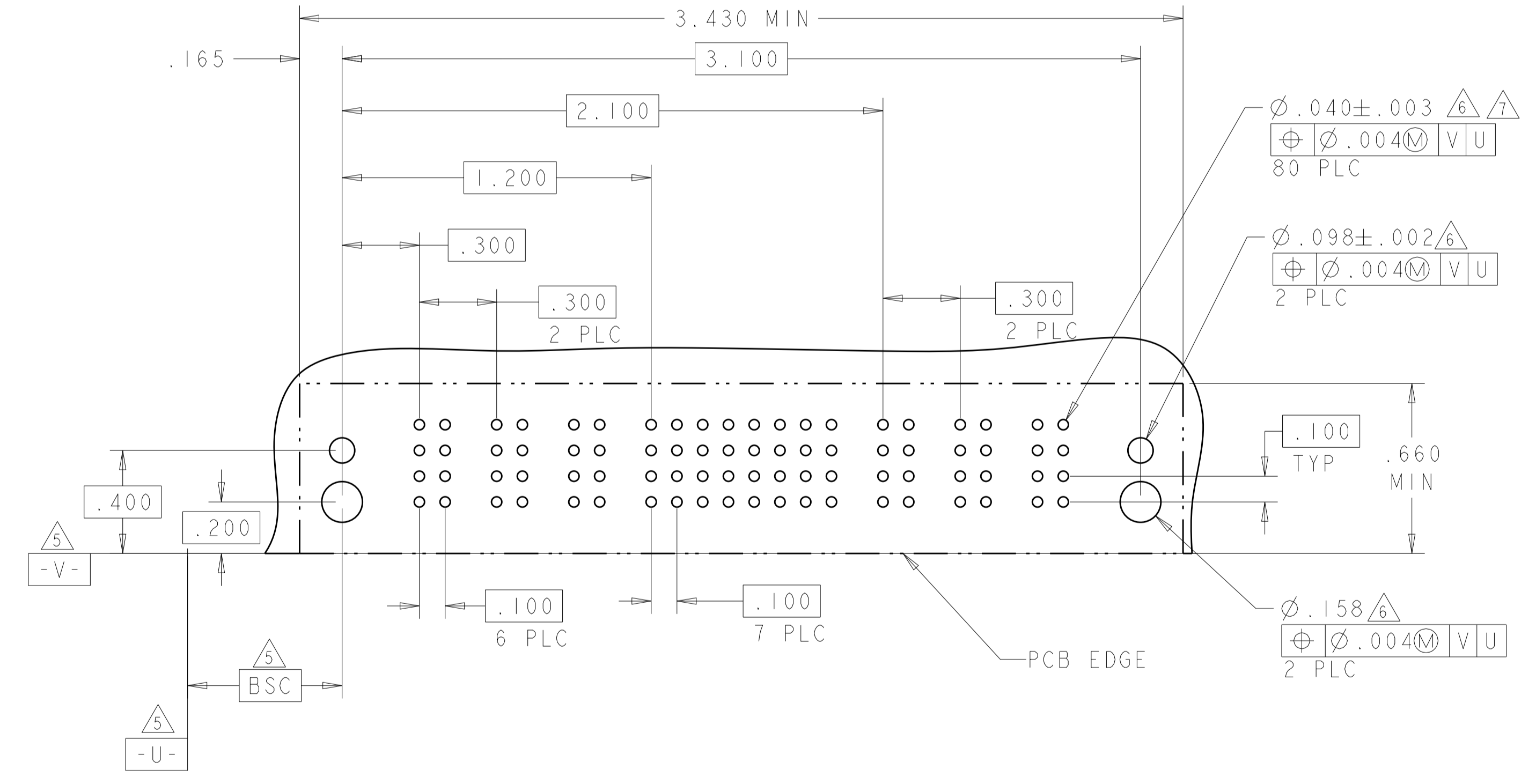
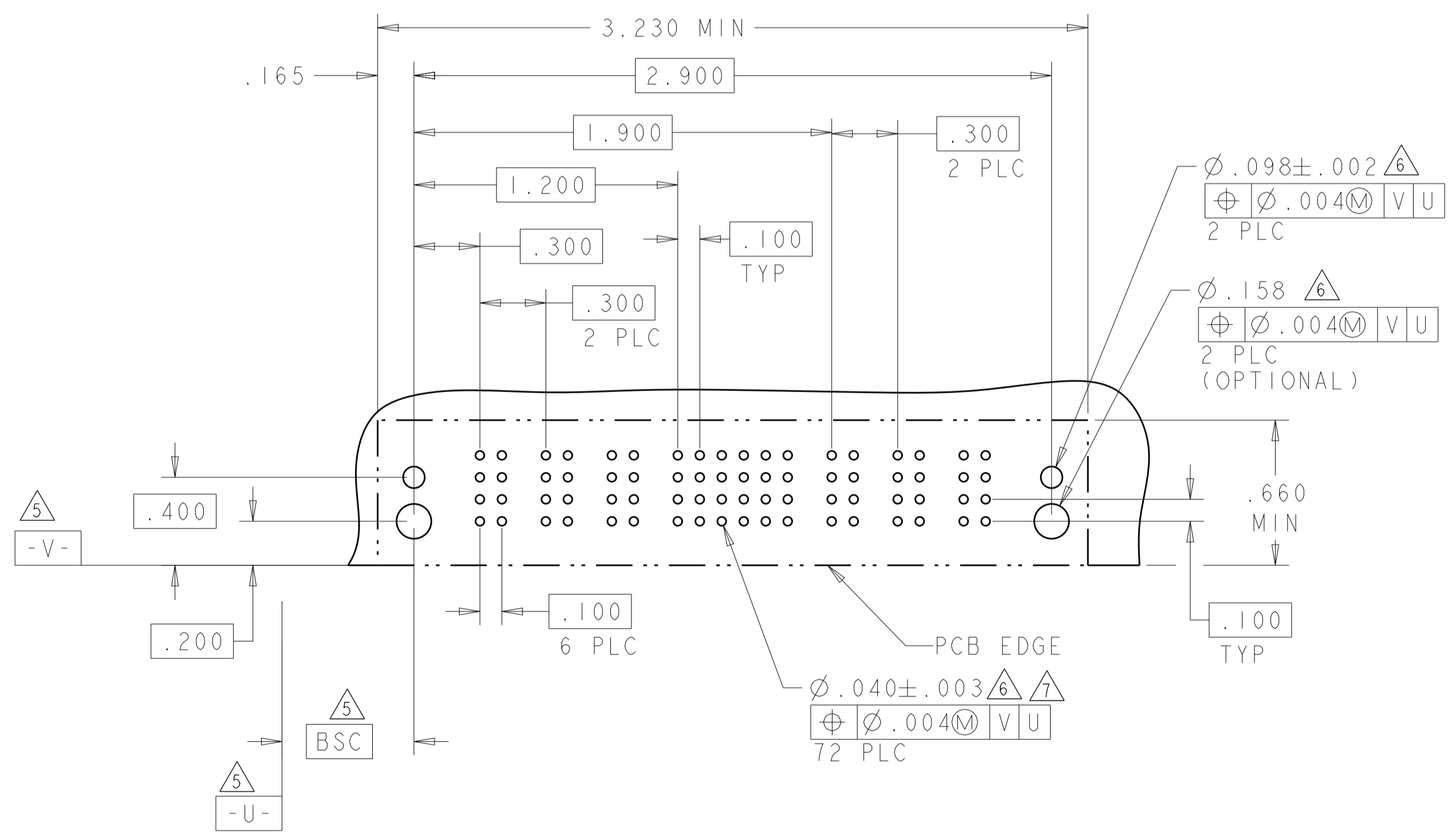


THIS DRAWING IS A CONTROLLED DOCUMENT.		OWN: R. GRZYBOWSKI CHK: M. PERCHERKE APPR: M. PERCHERKE	TOFEB05 TOFEB05	TE Connectivity
DIMENSIONS: INCHES	TOLERANCES UNLESS OTHERWISE SPECIFIED:	PRODUCT SPEC 108-1973	APPLICATION SPEC 114-13038	
MATERIAL:	FINISH:	WEIGHT:	CUSTOMER DRAWING	RESTRICTED TO: -
SCALE: 4:1			SHEET: 3 OF 5	REV: D1

LOC	DIST	REVISIONS			
P	LTN	DESCRIPTION	DATE	DMN	APVD
-	-	SEE SHEET 1	-	-	-

PART NUMBER	ROWS	POWER			SIGNAL						POWER		
		P1	P2	P3	1	2	3	4	5	6	P4	P5	P6
I-6450128-0	D	PM	PM	PM	J	J	J	J	J	J	PM	PM	PM
	C				K	K	K	K	K	K			
	B				N	N	N	N	N	N			
	A				S	S	S	S	S	S			
3ACP + 24S + 3ACP													

PART NUMBER	ROWS	POWER			SIGNAL								POWER		
		P1	P2	P3	1	2	3	4	5	6	7	8	P4	P5	P6
I-6450128-1	D	PM	PM	PM	J	J	J	J	J	J	J	J	PM	PM	PM
	C				K	K	K	K	K	K	K				
	B				N	N	N	N	N	N	N				
	A				S	S	S	S	S	S	S				
3ACP + 32S + 3ACP															



THIS DRAWING IS A CONTROLLED DOCUMENT.

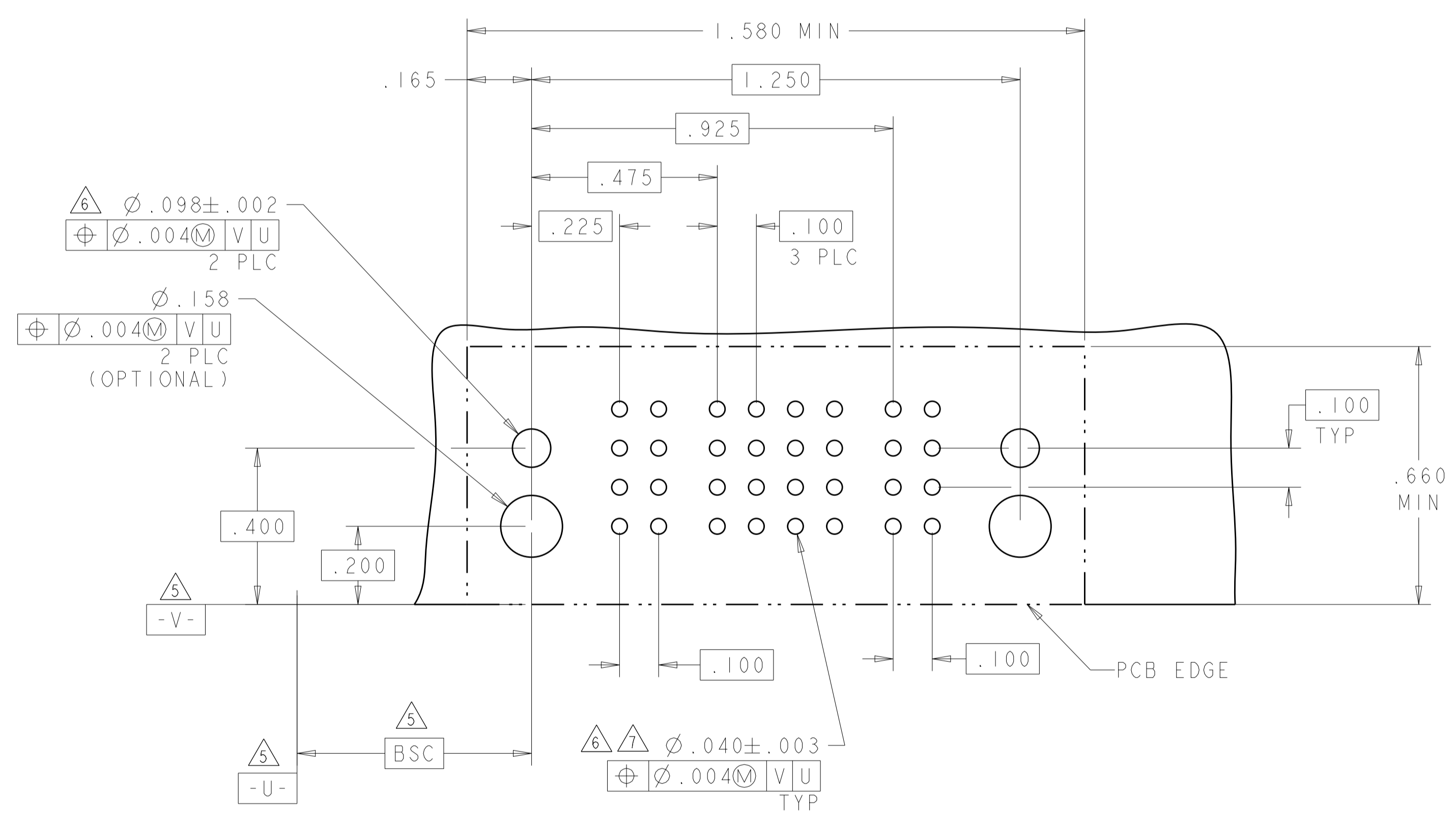
DIMENSIONS: INCHES	TOLERANCES UNLESS OTHERWISE SPECIFIED: 0 PLC ±. 1 PLC ±.01 2 PLC ±.01 3 PLC ±.005 4 PLC ±.0020 ANGLES ±.2°	DMN: R. GRZYBOWSKI CHK: M. PERCHERKE APVD: M. PERCHERKE	TOFEB05 TOFEB05		TE Connectivity
MATERIAL	FINISH	PRODUCT SPEC: 108-1973 APPLICATION SPEC: 114-13038 WEIGHT	NAME: RIGHT ANGLE HEADER ASSEMBLY W/END LATCHES MULTI-BEAM XL SIZE: A1 CAGE CODE: 00779 DRAWING NO: 6450128		RESTRICTED TO

CUSTOMER DRAWING

LOC	DIST	REVISIONS					
GP	00	P	LTN	DESCRIPTION	DATE	DMN	APVD
		-		SEE SHEET 1			

PART NUMBER	ROWS		POWER		SIGNAL				POWER	
			PI		1	2	3	4	P2	
I-6450128-2	D	HD	PM		J	J	J	J	PM	HD
	C				K	K	K	K		
	B				N	N	N	N		
	A				S	S	S	S		
IP + 16S + IP										

(D1)



THIS DRAWING IS A CONTROLLED DOCUMENT.		DMN R. GRZYBOWSKI	10FEB05	STE TE Connectivity
DIMENSIONS: INCHES		CHK M. PERCHERKE	10FEB05	
TOLERANCES UNLESS OTHERWISE SPECIFIED:		APVD M. PERCHERKE		NAME RIGHT ANGLE HEADER ASSEMBLY W/END LATCHES MULTI-BEAM XL
0 PLC ±.01		PRODUCT SPEC		SIZE 114-13038
1 PLC ±.01		APPLICATION SPEC		RESTRICTED TO
2 PLC ±.01		CAGE CODE DRAWING NO		A100779
3 PLC ±.005		DRAWING NO		C=6450128
4 PLC ±.0020		WEIGHT		
ANGLES ±.2°		CUSTOMER DRAWING		SCALE 4:1 SHEET 5 OF 5 REV D1
FINISH				

X-ON Electronics

Largest Supplier of Electrical and Electronic Components

Click to view similar products for [Power to the Board](#) category:

Click to view products by [TE Connectivity](#) manufacturer:

Other Similar products are found below :

[10131318-08512GRLF](#) [6450171-4](#) [6450552-7](#) [6600323-8](#) [6643429-1](#) [6646040-2](#) [6651939-1](#) [6766604-1](#) [120959-1](#) [1393557-2](#) [1393532-2](#)
[1393532-3](#) [1393532-4](#) [1393557-1](#) [1600812-5](#) [1-6450861-2](#) [1645595-1](#) [1743490-1](#) [1744132-7](#) [1761122-1](#) [1766169-1](#) [1766250-1](#) [18362](#)
[1892109-1](#) [1-967627-6](#) [2226808-1](#) [2-6450860-5](#) [2-6450860-6](#) [2-6450870-0](#) [93003-0502](#) [953552-1](#) [1-6450161-4](#) [1-6450850-6](#) [1645526-2](#) [1-](#)
[6600130-0](#) [1743419-1](#) [1766150-1](#) [2005243-2](#) [211110-1](#) [2-6600130-2](#) [TE34-12-16P-F0](#) [5-6450830-6](#) [5646956-4](#) [36662-0005](#) [40585-3000](#) [4-](#)
[6450830-9](#) [4-6600333-3](#) [51142-0214](#) [10134048-911LF](#) [10123159-301LF](#)