

THREE PHASE SPEED CONTROLLERS

A3RW

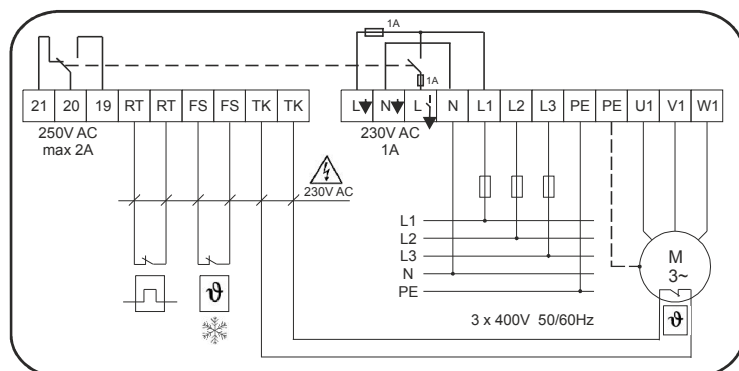
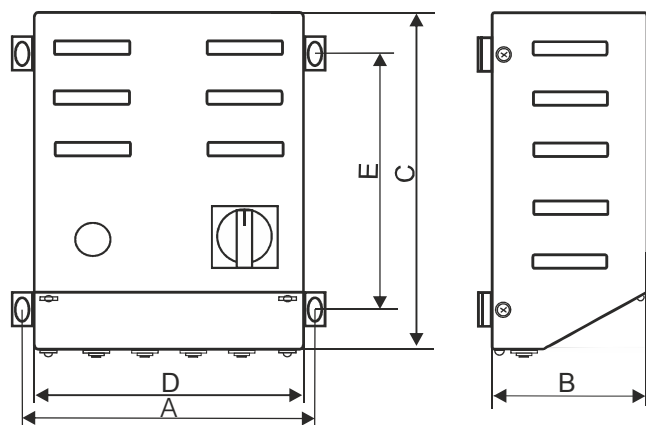


Autotransformer regulators serve the purpose of airflow control, fitted in three-phase ventilation and heating systems. The transformers are made with protection grade IP21, and equipped with indicator light. Maximum ambient temperature 25°C. Thermal class of insulation B (130°C). Manufactured in compliance with EN 61558-2-13.

Rated current SEC: 1,5 - 14 A

Supply voltage: 3x400 V 50/60 Hz

Rated voltage SEC: 5-step regulation



Typ	Upri [V]	Current [A]	Step of regulation Ur[V]					Dimensions [mm] AxBxCxDxE	Weight [kg]
			1	2	3	4	5		
A3RW 1,5/IP21	3 x 400	1,5	95	145	190	240	400	215x135x250x200x190	10
A3RW 2,0/IP21	3 x 400	2	95	145	190	240	400	215x135x250x200x190	11,7
A3RW 4,0/IP21	3 x 400	4	95	145	190	240	400	315x185x300x300x190	15
A3RW 5,0/IP21	3 x 400	5	95	145	190	240	400	315x185x300x300x190	18
A3RW 7,0/IP21	3 x 400	7	95	145	190	240	400	315x185x300x300x190	21
A3RW 10,0/IP21	3 x 400	10	95	145	190	240	400	415x215x300x400x190	31
A3RW 14,0/IP21	3 x 400	14	95	145	190	240	400	415x215x300x400x190	38

As a result of constant development of product construction and changes concerning technical requirements, Breve Tufvassons reserves the right to change the parameters mentioned above.



X-ON Electronics

Largest Supplier of Electrical and Electronic Components

Click to view similar products for [LDO Voltage Regulators](#) category:

Click to view products by [Breve Tufvassons](#) manufacturer:

Other Similar products are found below :

[M38D29FFHP#U1](#) [702103A](#) [717726C](#) [742457H](#) [MP20051DN-LF-Z](#) [R5F111PGGFB#30](#) [AP7363-SP-13](#) [NCP103AMX285TCG](#)
[NCV8664CST33T3G](#) [NCV8752AMX28TCG](#) [L9454](#) [AP7362-HA-7](#) [LX13043CLD](#) [TCR3DF185,LM\(CT](#) [TCR3DF24,LM\(CT](#)
[TCR3DF285,LM\(CT](#) [TCR3DF31,LM\(CT](#) [TCR3DF45,LM\(CT](#) [TLF4949EJ](#) [MP2013GQ-33-Z](#) [L9708](#) [L970813TR](#) [030014BB](#) [059985X](#)
[NCP121AMX173TCG](#) [NCP4687DH15T1G](#) [NCV8703MX30TCG](#) [701326R](#) [702087BB](#) [755078E](#) [TCR2EN28,LF\(S](#) [LM1117DT-1.8/NO](#)
[LT1086CM#TRPBF](#) [AZ1085S2-1.5TRE1](#) [MAX15101EWL+T](#) [NCV8170AXV250T2G](#) [SCD337BTG](#) [TCR3DF27,LM\(CT](#)
[TCR3DF19,LM\(CT](#) [TCR3DF125,LM\(CT](#) [MAX15103EWL+T](#) [TS2937CZ-5.0 C0](#) [MAX8878EUK30-T](#) [MAX663CPA](#) [NCV4269CPD50R2G](#)
[NCV8716MT30TBG](#) [AZ1117IH-1.2TRG1](#) [MP2013GQ-P](#) [AP2112R5A-3.3TRG1](#) [AP7315-25W5-7](#)