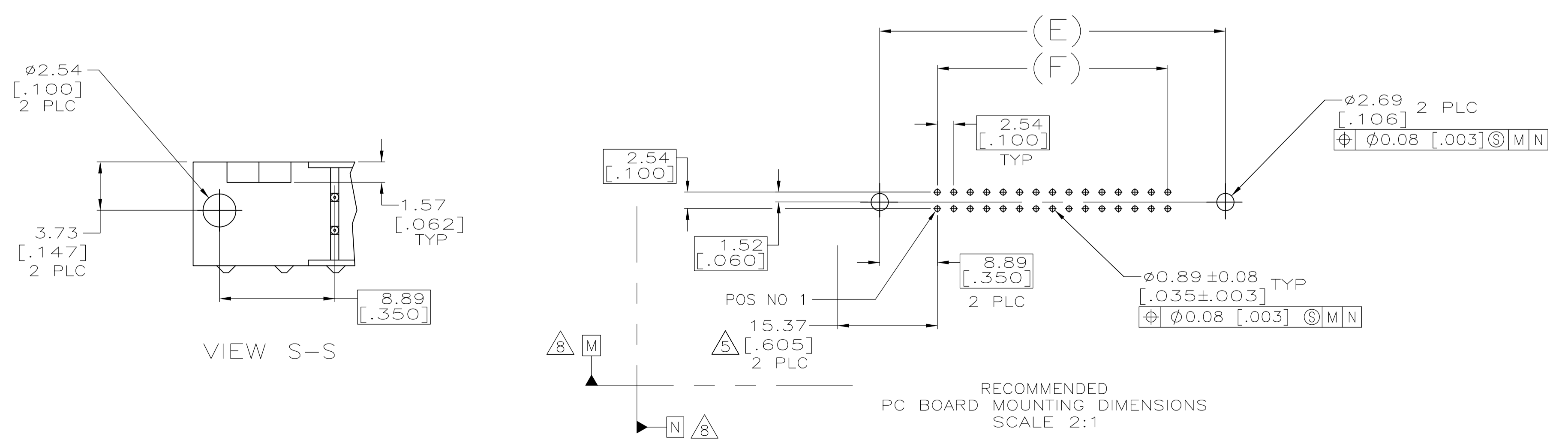
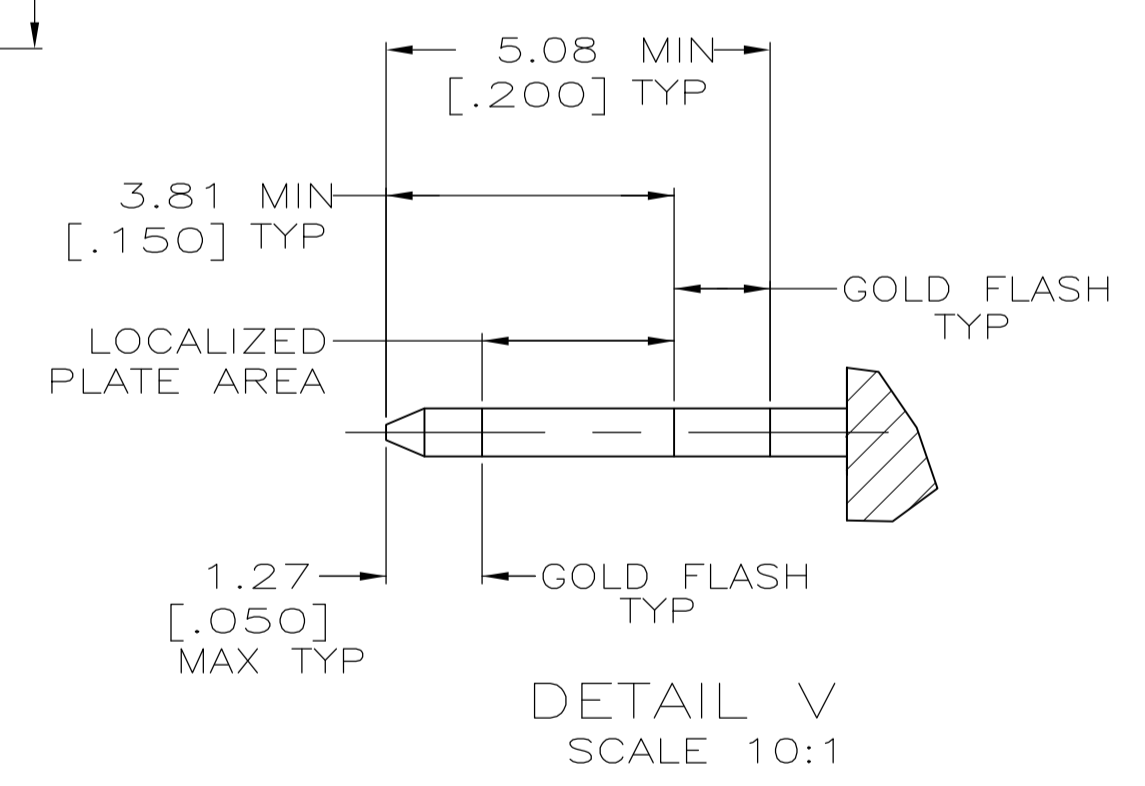
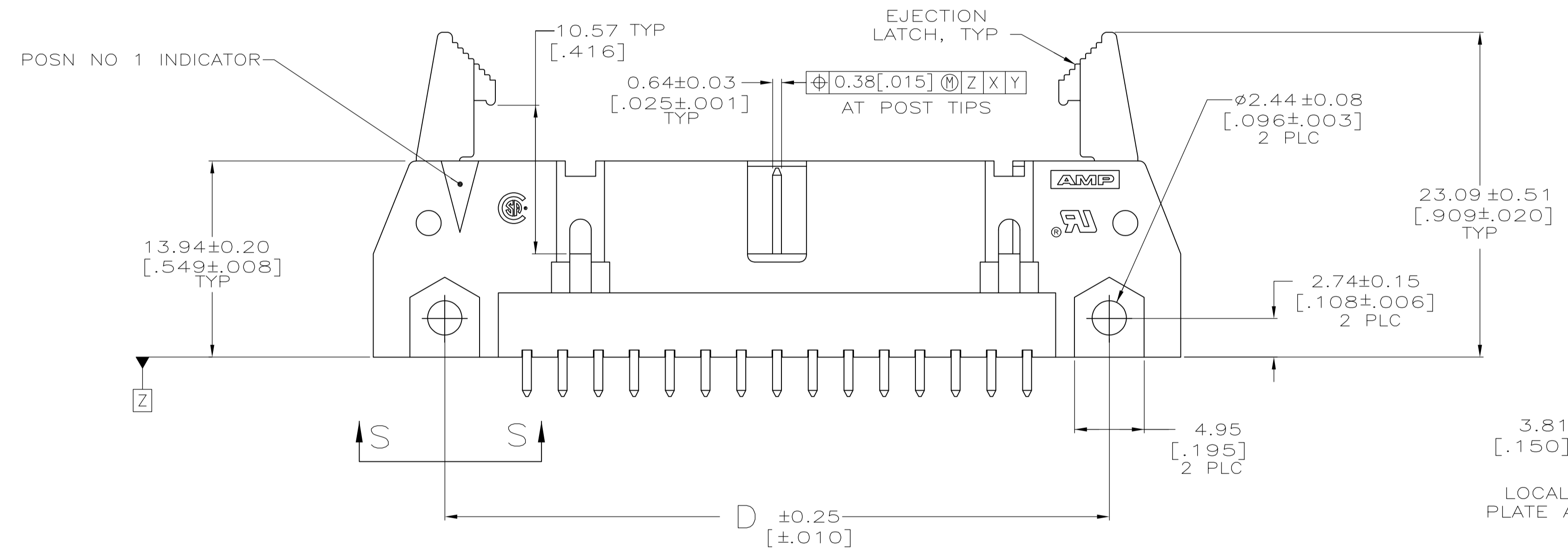
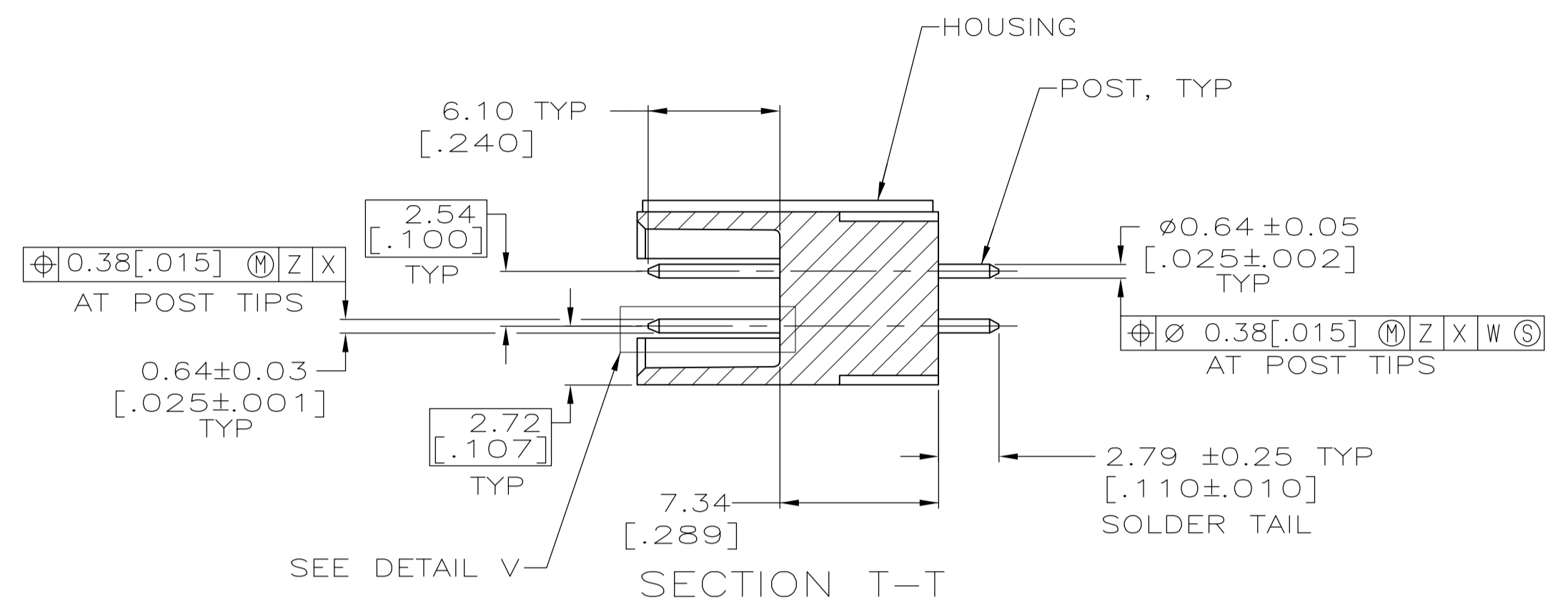
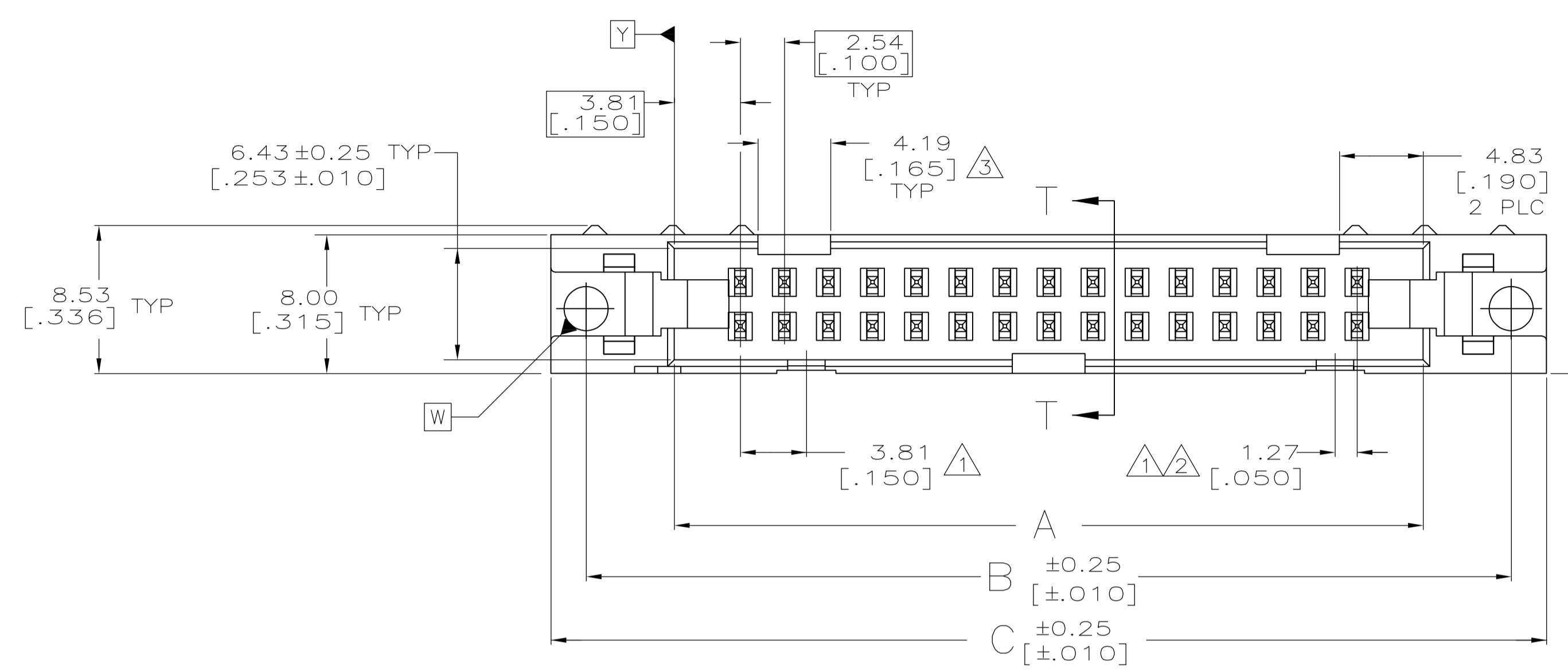


EJECTION LATCHES OMITTED IN THIS VIEW FOR CLARITY



SEE SHEET 2 FOR TABLE & NOTES

THIS DRAWING IS A CONTROLLED DOCUMENT.		DIN C. VALENTINE 06DEC2010	TE Connectivity	
DIMENSIONS: mm [INCHES]		CHK S. BOLASH 06DEC2010		
TOLERANCES UNLESS OTHERWISE SPECIFIED:		APVD S. BOLASH 06DEC2010	NAME	
0 PLC ± - 1 PLC ± - 2 PLC ± 0.13[.005] 3 PLC ± - 4 PLC ± - ANGLES ± -		PRODUCT SPEC	HEADER ASSY, UNIVERSAL, AMP-LATCH	
MATERIAL		APPLICATION SPEC	108-40018	
FINISH		SIZE	CAGE CODE	DRAWING NO
6 7		WEIGHT	A1 00779	C=2169662
CUSTOMER DRAWING		SCALE	4:1	SHEET 1 OF 2 REV C

- ① COORDINATE DIMENSION APPLIES FROM BASIC LOCATION.
- ② 10 AND 14 POSITION SIZES CONTAIN ONLY ONE SLOT FOR SNAP-IN POLARIZER (MILITARY POLARIZATION) LOCATED AS SHOWN.
- ③ 10 POSITION SIZES CONTAIN ONLY ONE SLOT FOR DUAL POLARIZATION, LOCATED AS SHOWN.
- 4. RECOMMENDED PRINTED CIRCUIT BOARD THICKNESS IS 1.57 [.062].
- ⑤ DISTANCE REQUIRED BY EJECTION LATCHES IN THE OPEN POSITION.
- ⑥ HOUSING & LATCHES, GLASS FILLED NYLON OR POLYESTER, UL94V-0 RATED, BLACK. POSTS: PH BRZ OR BRASS.
- ⑦ POSTS: 0.76 $\mu$ m[.000030] MIN GOLD PLATE ON THE LOCALIZED PLATE AREA, 2.54 $\mu$ m[.000100] MIN TIN PLATE ON THE SOLDER-TAIL, 1.27 $\mu$ m[.000050] MIN NICKEL UNDERPLATE ON THE ENTIRE POST.
- ⑧ DATUMS M & N TO BE ESTABLISHED BY CUSTOMER.
- ⑨ DEVELOPMENT PART NUMBER - NOT RELEASED FOR PRODUCTION.

⑨	53.34	71.12	65.02	75.18	71.12	60.96	44	1-2169662-3
	[2.100]	[2.800]	[2.560]	[2.960]	[2.800]	[2.400]		
⑨	78.74	96.52	90.42	100.58	96.52	86.36	64	1-2169662-2
	[3.100]	[3.800]	[3.560]	[3.960]	[3.800]	[3.400]		
⑨	73.66	91.44	85.34	95.50	91.44	81.28	60	1-2169662-1
	[2.900]	[3.600]	[3.360]	[3.760]	[3.600]	[3.200]		
⑨	60.96	78.74	72.64	82.80	78.74	68.58	50	1-2169662-0
	[2.400]	[3.100]	[2.860]	[3.260]	[3.100]	[2.700]		
⑨	48.26	66.04	59.94	70.10	66.04	55.88	40	2169662-9
	[1.900]	[2.600]	[2.360]	[2.760]	[2.600]	[2.200]		
⑨	40.64	58.42	52.32	62.48	58.42	48.26	34	2169662-8
	[1.600]	[2.300]	[2.060]	[2.460]	[2.300]	[1.900]		
⑨	35.56	53.34	47.24	57.40	53.34	43.18	30	2169662-7
	[1.400]	[2.100]	[1.860]	[2.260]	[2.100]	[1.700]		
⑨	30.48	48.26	42.16	52.32	48.26	38.10	26	2169662-6
	[1.200]	[1.900]	[1.660]	[2.060]	[1.900]	[1.500]		
⑨	27.94	45.72	39.62	49.78	45.72	35.56	24	2169662-5
	[1.100]	[1.800]	[1.560]	[1.960]	[1.800]	[1.400]		
⑨	22.86	40.64	34.54	44.70	40.64	30.48	20	2169662-4
	[.900]	[1.600]	[1.360]	[1.760]	[1.600]	[1.200]		
⑨	17.78	35.56	29.46	39.62	35.56	25.40	16	2169662-3
	[.700]	[1.400]	[1.160]	[1.560]	[1.400]	[1.000]		
⑨	15.24	33.02	26.92	37.08	33.02	22.86	14	2169662-2
	[.600]	[1.300]	[1.060]	[1.460]	[1.300]	[.900]		
⑨	10.16	27.94	21.84	32.00	27.94	17.78	10	2169662-1
	[.400]	[1.100]	[.860]	[1.260]	[1.100]	[.700]		
	F	E	D	C	B	A	NO OF POSN	PART NUMBER

THIS DRAWING IS A CONTROLLED DOCUMENT.		DIN C. VALENTINE 06DEC2010	<b>STE</b> TE Connectivity	
DIMENSIONS: INCHES		CHK S. BOLASH 06DEC2010		
TOLERANCES UNLESS OTHERWISE SPECIFIED:		APVD S. BOLASH 06DEC2010	NAME	
0 PLC ± -	1 PLC ± -	PRODUCT SPEC		
2 PLC ± 0.13[.005]	3 PLC ± -	108-40018		
4 PLC ± -	ANGLES ± -	APPLICATION SPEC		
MATERIAL SEE SHEET 1	FINISH SEE SHEET 1	WEIGHT -	SIZE A1	CAGE CODE 00779
CUSTOMER DRAWING		SCALE 4:1	SHEET 2 OF 2	REV C

## X-ON Electronics

Largest Supplier of Electrical and Electronic Components

*Click to view similar products for [Headers & Wire Housings](#) category:*

*Click to view products by [TE Connectivity](#) manufacturer:*

Other Similar products are found below :

[95000-104TRLF](#) [10135584-644402LF](#) [DF62W-EP2022PCA](#) [95000-106TRLF](#) [DF62W-2022SCA](#) [DF62W-EP2022PC](#) [2203348](#) [DF62W-2022SC](#) [1084018](#) [1029039](#) [1084017](#) [802-10-012-10-002000](#) [1112640](#) [1112639](#) [891-007-9SS-BST1T](#) [000-34000](#) [0008550134](#) [0009482033](#) [0009507031](#) [57102-F02-18ULF](#) [57102-S06-03LF](#) [57202-S52-04LF](#) [PCN6-15S-2.5E](#) [0039019024](#) [58102-G61-06LF](#) [582553-1](#) [0009485154](#) [0009508121](#) [009176003701906](#) [0022285053](#) [0050291907](#) [018731A](#) [LY20-4P-DT1-P1E-BR](#) [02.125.8002.8](#) [60101931](#) [60598-1 \(Cut Strip\)](#) [M1625-3R/100](#) [61062-3](#) [61082-181009](#) [CSU011177004](#) [636-1427](#) [638009-1](#) [641938-9](#) [641991-4](#) [644168-1](#) [644827-2](#) [647662-1](#) [65039-019ELF](#) [65692-001LF](#) [65781-018](#)