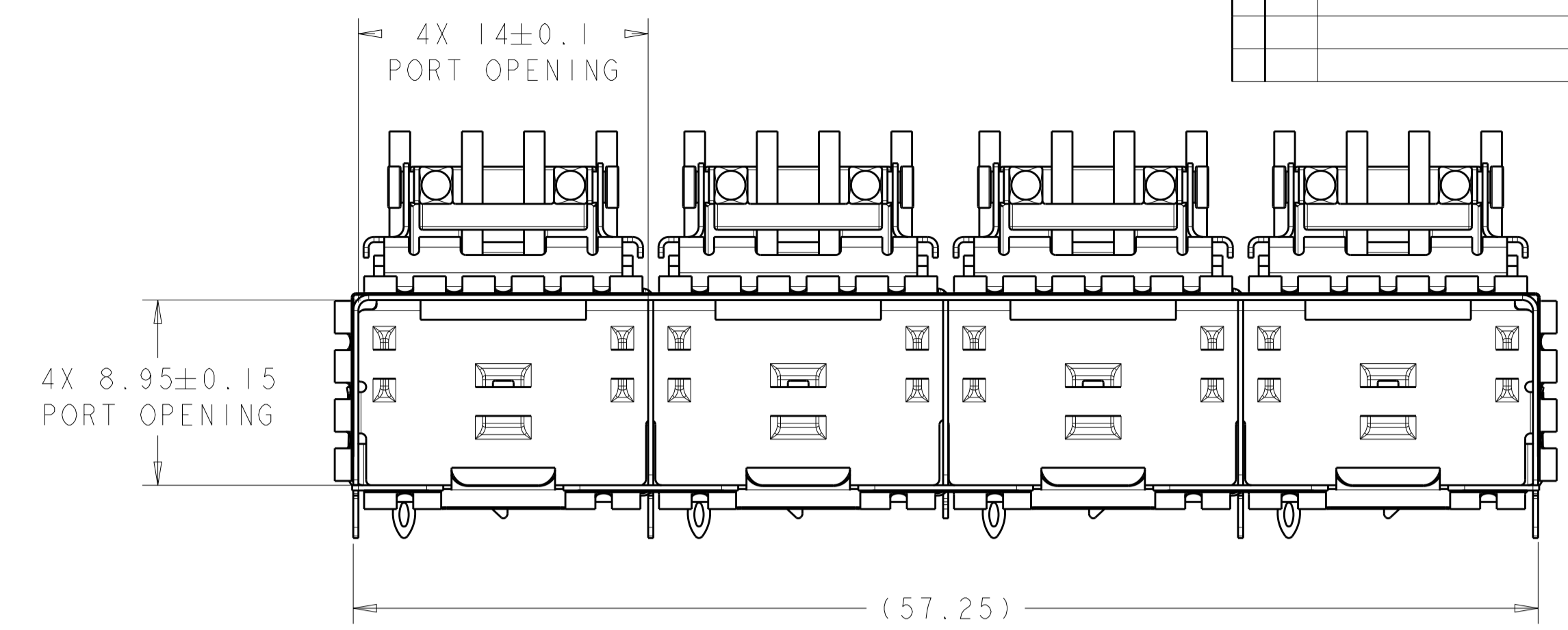
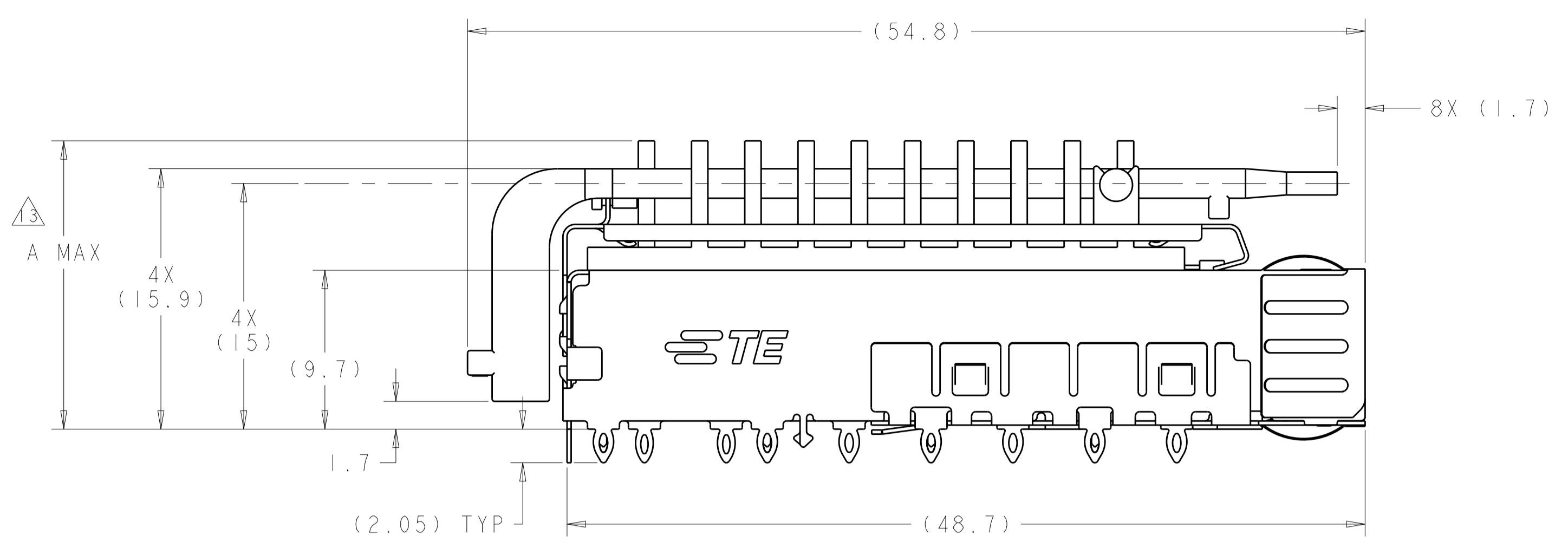
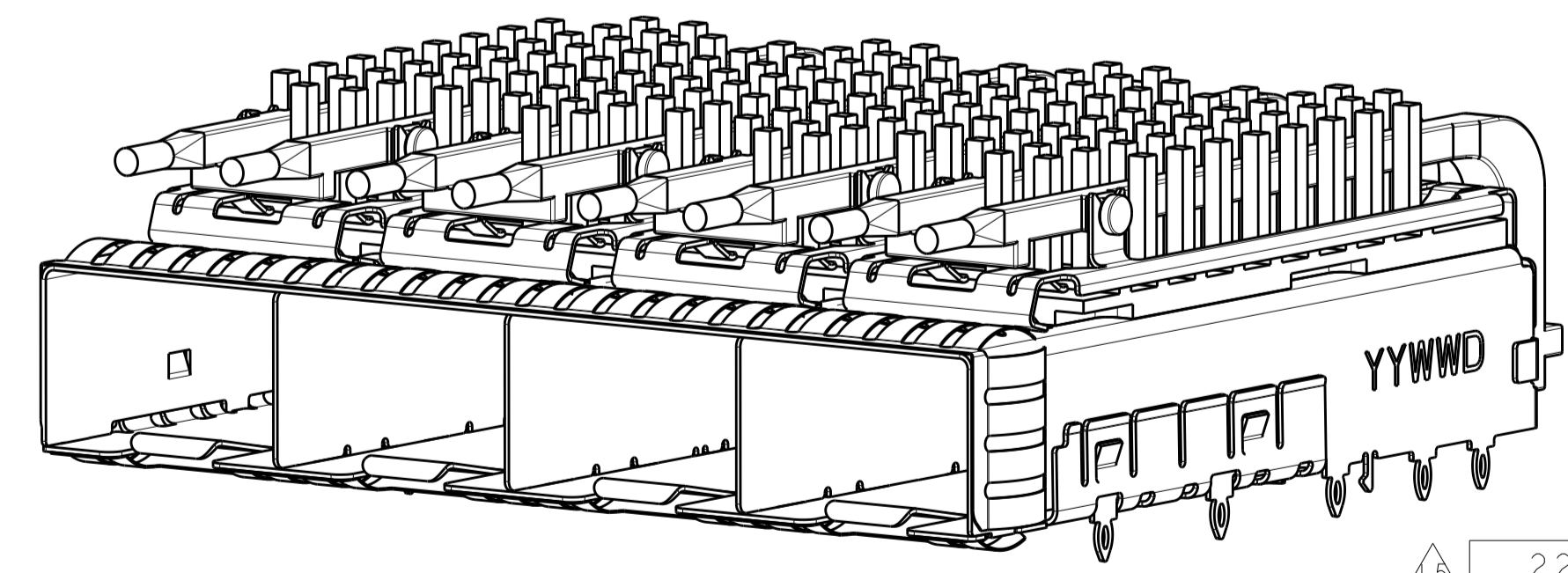
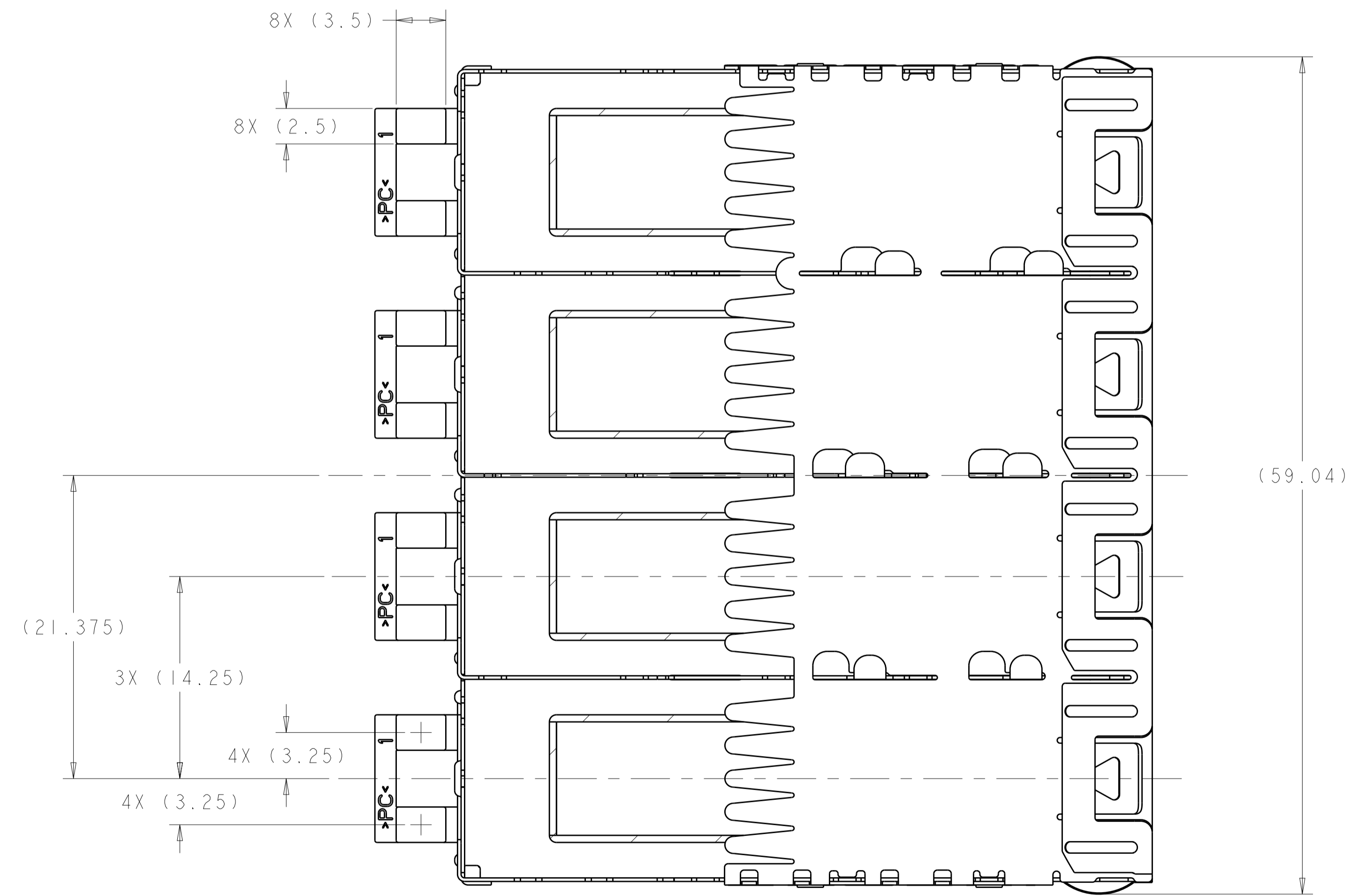


LOC	DIST	REVISIONS			
P	LTN	DESCRIPTION	DATE	DMN	APVD
GP	00	A	RELEASED PER ECO-12-013192	180CT2012	BMM MRS



- 1. MATERIAL:  
 CAGE ASSEMBLY: 0.25mm THICK NICKEL SILVER ALLOY  
 HEATSINK/LIGHTPIPE CLIP: STAINLESS STEEL  
 LIGHT PIPE: POLYCARBONATE, CLEAR  
 HEATSINK: ALUMINUM
- 2. FINISH:  
 SPRINGS: MINIMUM OF 0.8um TIN PLATE OVER A MINIMUM OF 0.8um NICKEL UNDERPLATE.  
 NON-PLATED EDGES PERMISSIBLE.  
 HEATSINK: ELECTROLESS NICKEL  
 HEATSINK/LIGHTPIPE CLIP: PASSIVATE
- 3. PADS AND VIAS CHASSIS GROUND.
- 4. DATUM AND BASIC DIMENSION ESTABLISHED BY CUSTOMER.
- 5. MATES WITH SFP MSA COMPLIANT TRANSCEIVERS.
- 6. INTERPRETATION OF DATUM REFERENCE FRAME IN ACCORDANCE WITH SECT 4.4.1.1 OF ASME Y14.5M-1994.
- 7. REFERENCE APPLICATION SPEC. 114-13120, HOLE A, FOR RECOMMENDED DRILL HOLE DIAMETER AND PLATING THICKNESS.
- 8. REFERENCE APPLICATION SPEC. 114-13120, HOLE B, FOR RECOMMENDED DRILL HOLE DIAMETER AND PLATING THICKNESS.
- 9. HOLE PATTERN REPEATS FOR EACH PORT. SPACING BETWEEN PORTS IS 14.25mm.
- 10. MINIMUM PC BOARD THICKNESS:  
 SINGLE SIDED = 1.50mm  
 DOUBLE SIDED = 2.25mm
- 11. CERTAIN MATING TRANSCEIVERS MAY REQUIRE ADDITIONAL PCB THICKNESS THAT WOULD BE DETERMINED BY THE CUSTOMER.
- 12. PRODUCT COMPLIES WITH SPECIFICATION SFF-8433 IMPROVED PLUGGABLE FORM FACTOR FOR SFP+ GANGED CAGES.
- 13. DIMENSION APPLIES PRIOR TO INSERTION OF SFP MODULE
- 14. HEATSINK, HEATSINK CLIP, AND LIGHTPIPE SHIPPED UNASSEMBLED TO CAGE ASSEMBLY. CAGE ASSEMBLY TO BE PRESSED INTO PCB PRIOR TO ATTACHING HEATSINK, HEATSINK CLIP, AND LIGHTPIPE TO THE CAGE ASSEMBLY.
- 15. PACKAGED AS A COMPLETE ASSEMBLY.



2198234  
 FINISHED ASSEMBLY  
 SCALE 3:1

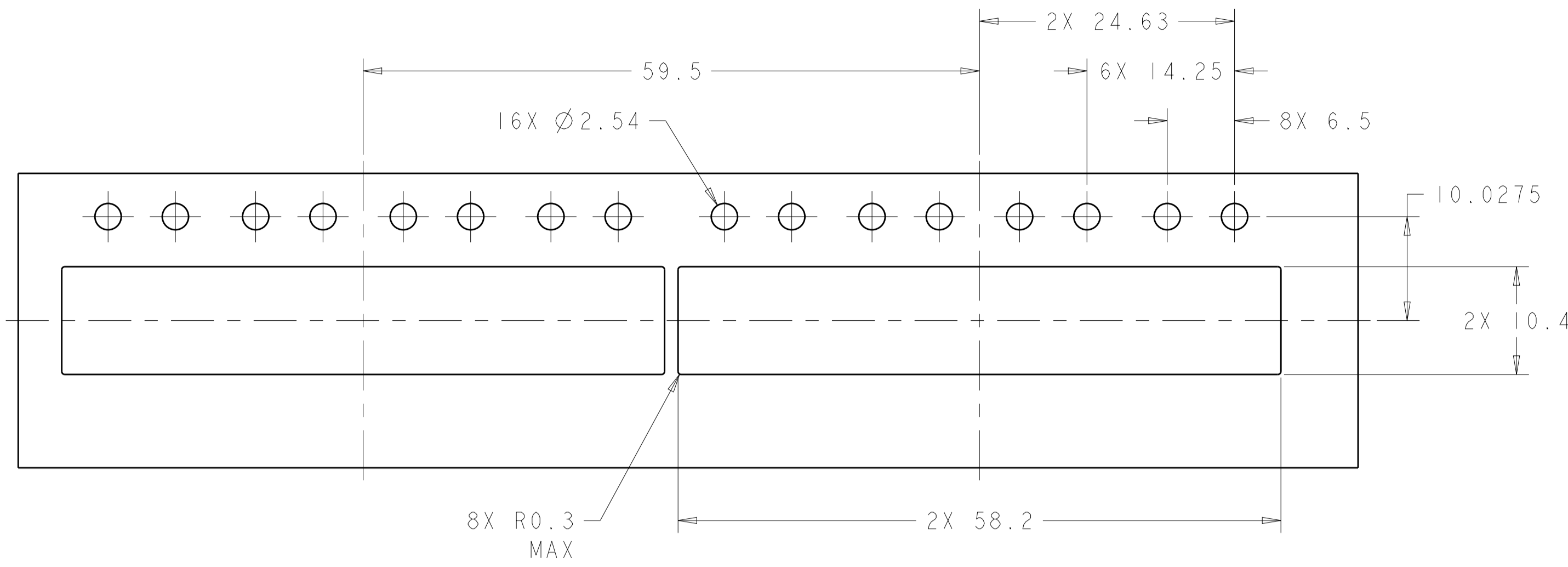
22.5	NETWORKING, TALL	2198234-4
18.1	NETWORKING, SHORT	2198234-3
15.5	SAN	2198234-2
13.2	PCI	2198234-1
A MAX	APPLICATION	PART NUMBER

THIS DRAWING IS A CONTROLLED DOCUMENT.		DMN B. MATTHEWS 15NOV2011	TE Connectivity
DIMENSIONS:		CHK M. SCHMITT 15NOV2011	
mm	TOLERANCES UNLESS OTHERWISE SPECIFIED:	APVD M. SCHMITT 15NOV2011	NAME SFP+ ENHANCED 1X4 CAGE ASSEMBLY, PRESS FIT, EXTERNAL EMI SPRINGS WITH HEATSINK AND LIGHTPIPE
0 PLC ±0.1 1 PLC ±0.1 2 PLC ±0.1 3 PLC ±0.1 4 PLC ±0.1 ANGLES ±1°	FINISH ±1°	PRODUCT SPEC 108-2364 APPLICATION SPEC 114-13120 WEIGHT -	
MATERIAL	FINISH	SIZE A100779	RESTRICTED TO
Customer Drawing		SCALE 4:1	SHEET 1 OF 4

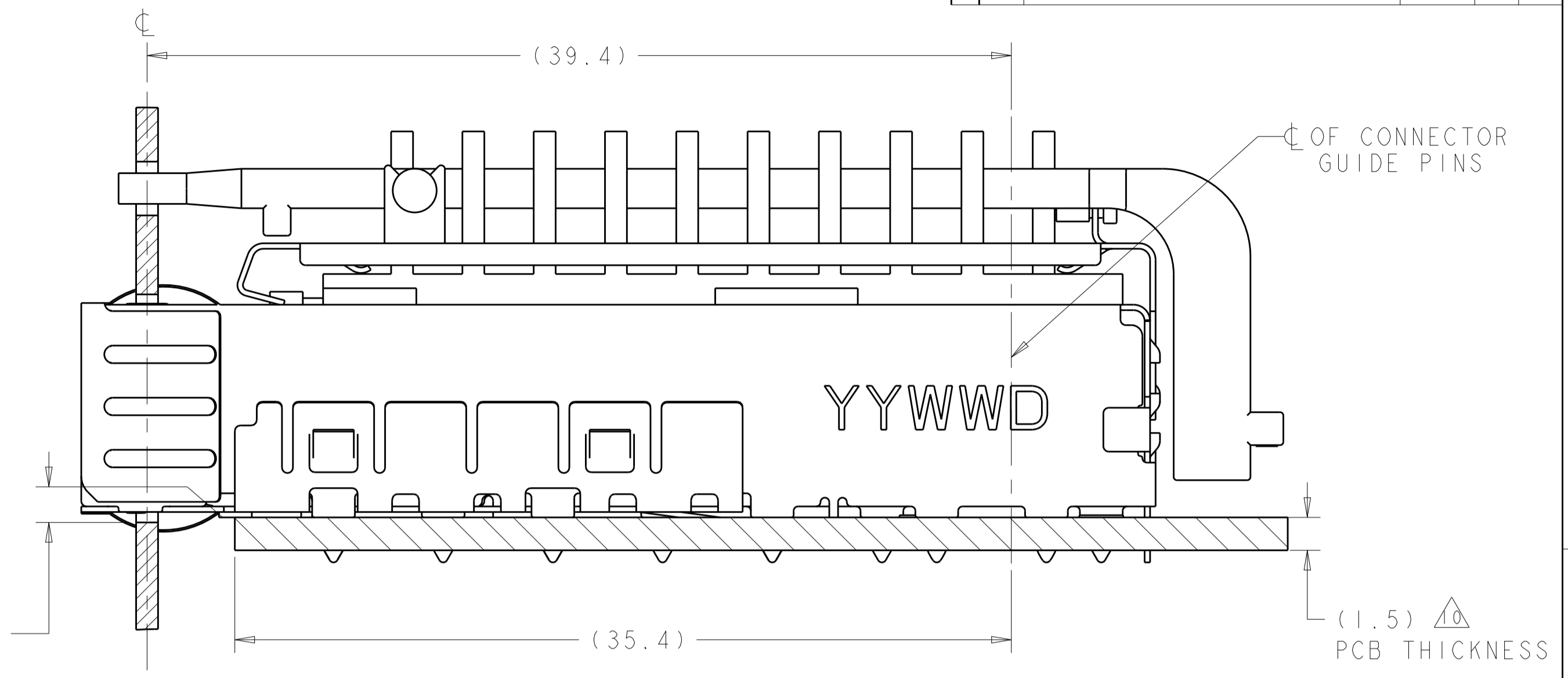
LOC	DIST	REV	DATE	BY	APPV
GP	00				

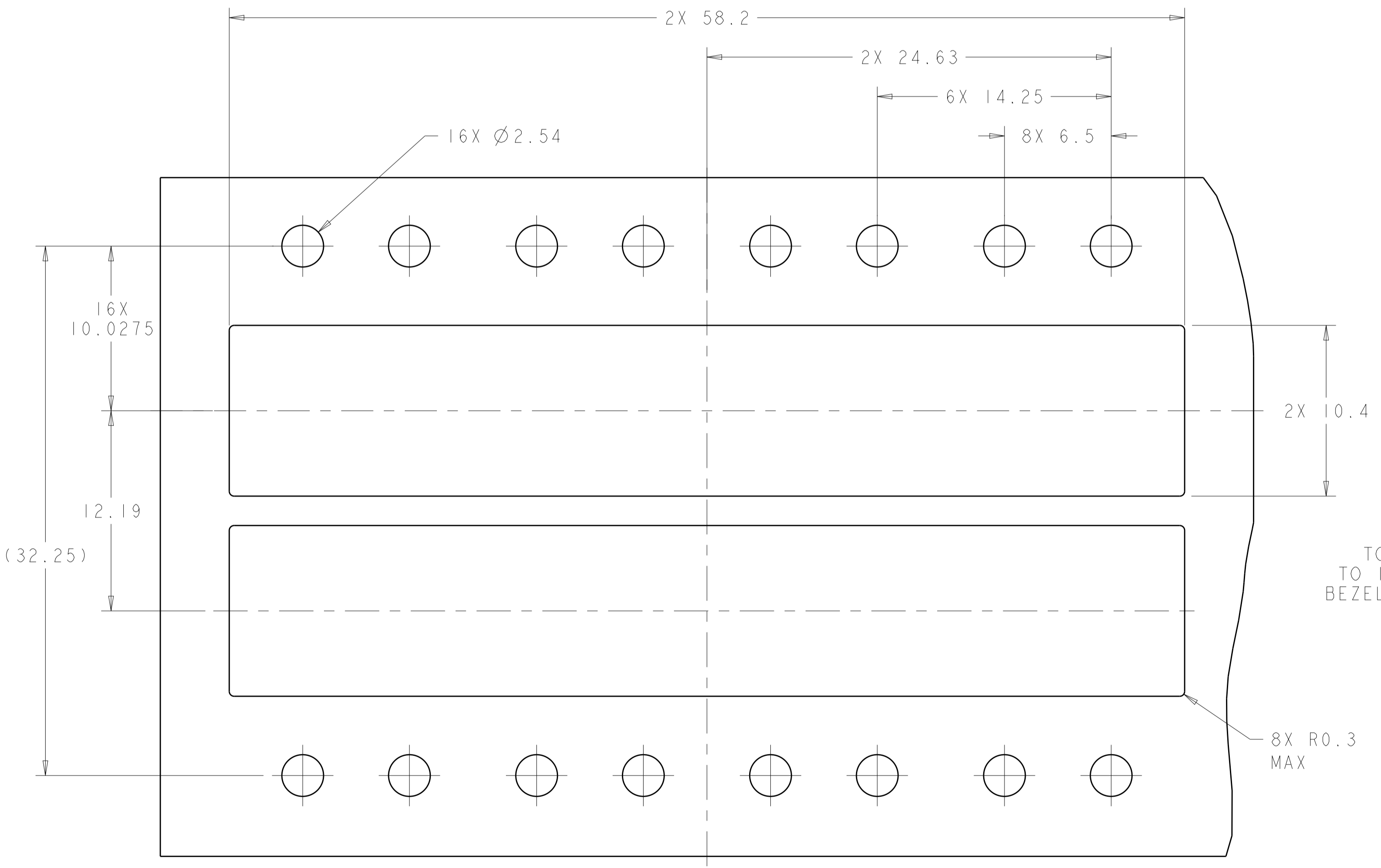
REVISIONS			
NO.	DESCRIPTION	DATE	BY
1	SEE SHEET 1		



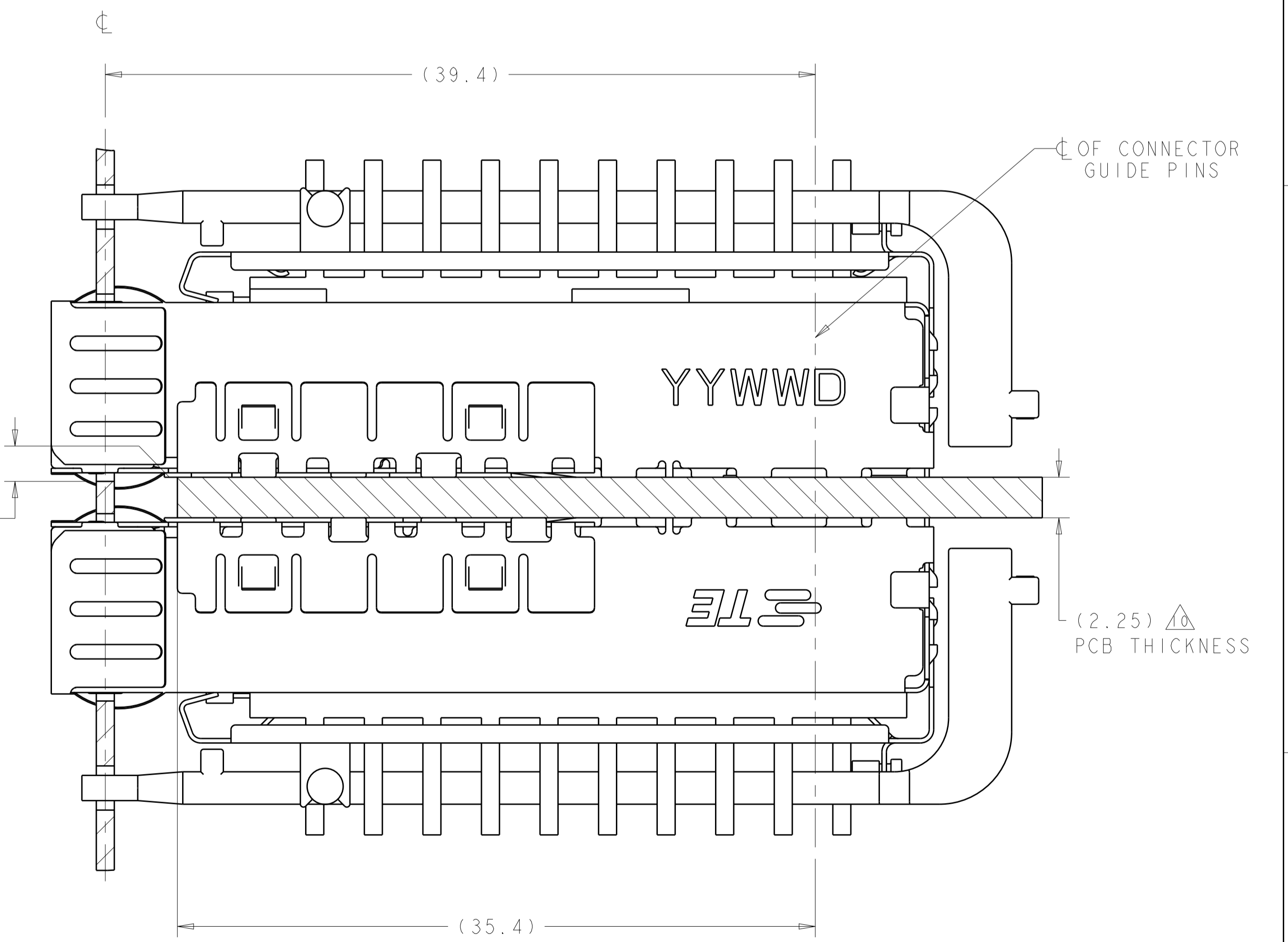
RECOMMENDED BEZEL CUT-OUT  
SINGLE SIDED APPLICATIONS  
SCALE 5:2



2198234  
MOUNTED ON PC BOARD  
SHOWN THRU RECOMMENDED BEZEL



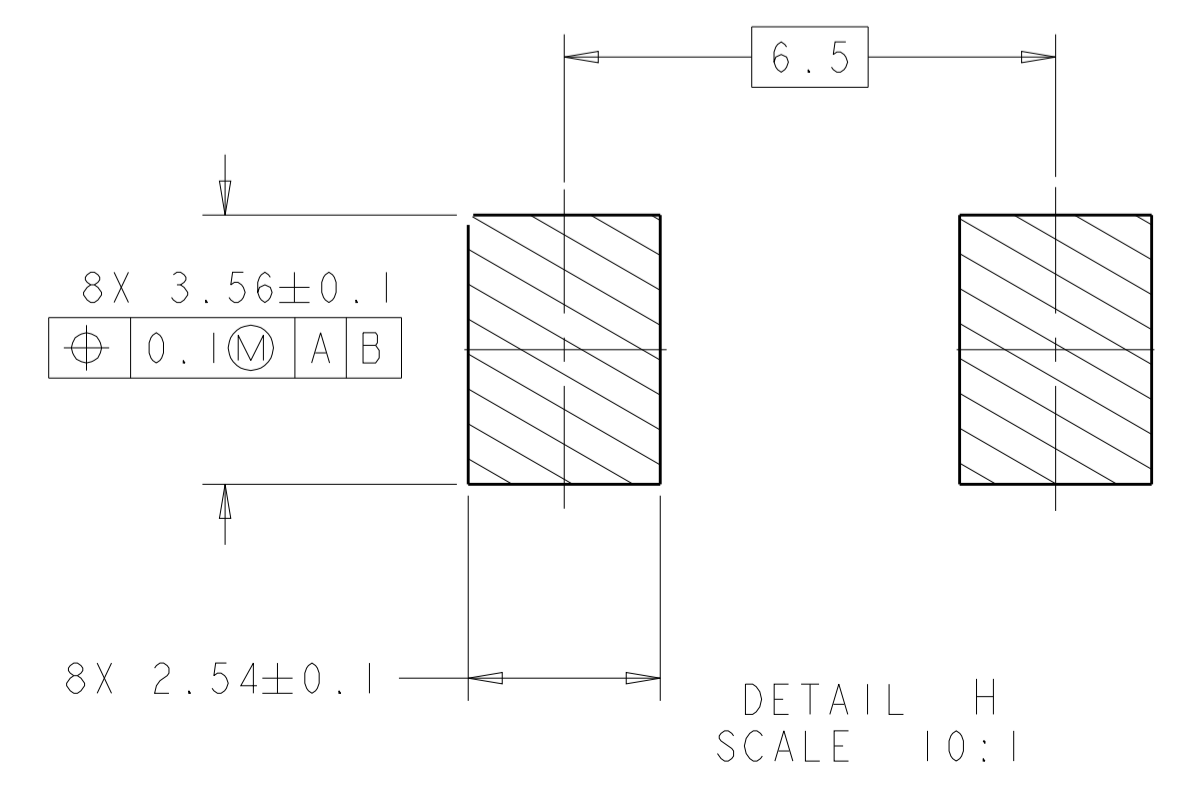
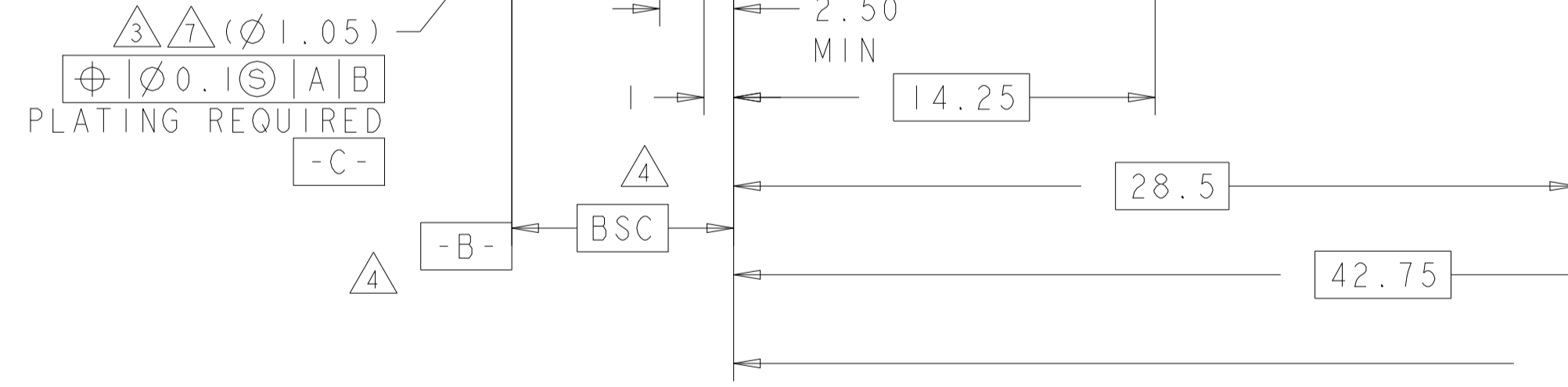
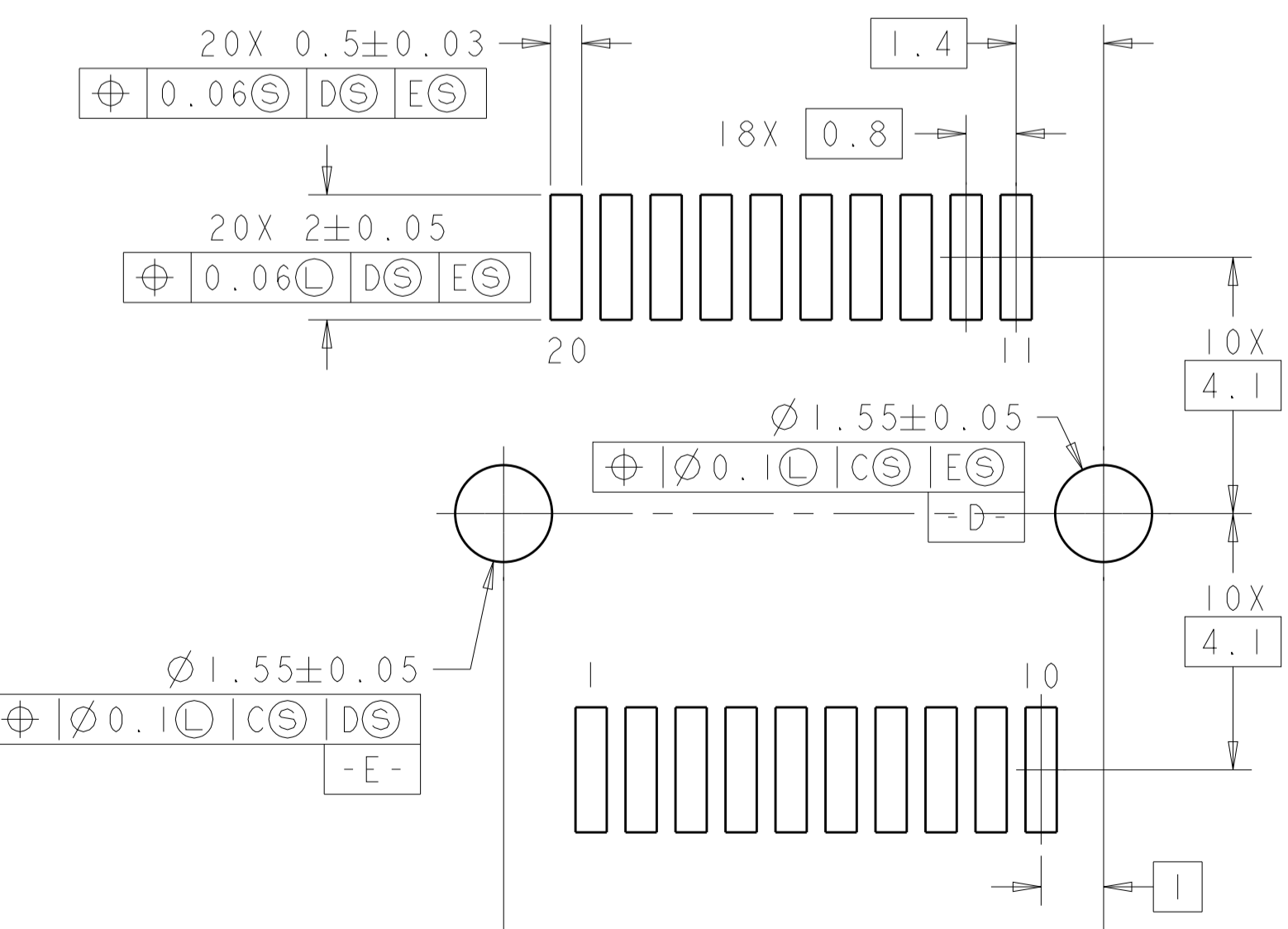
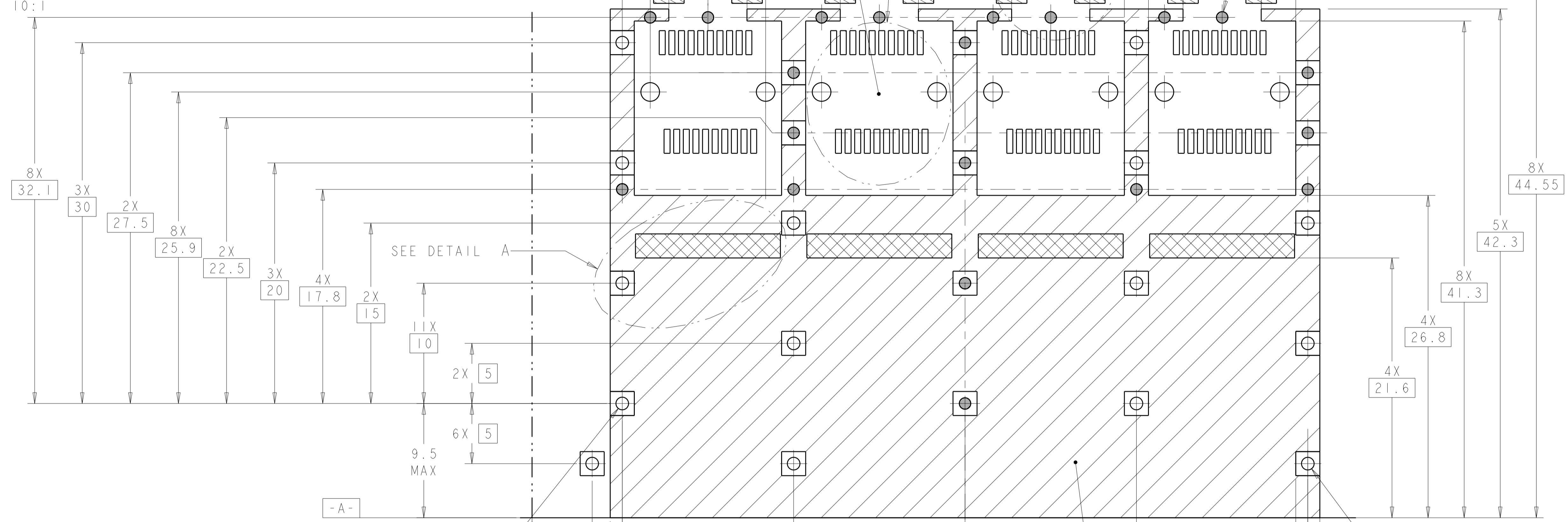
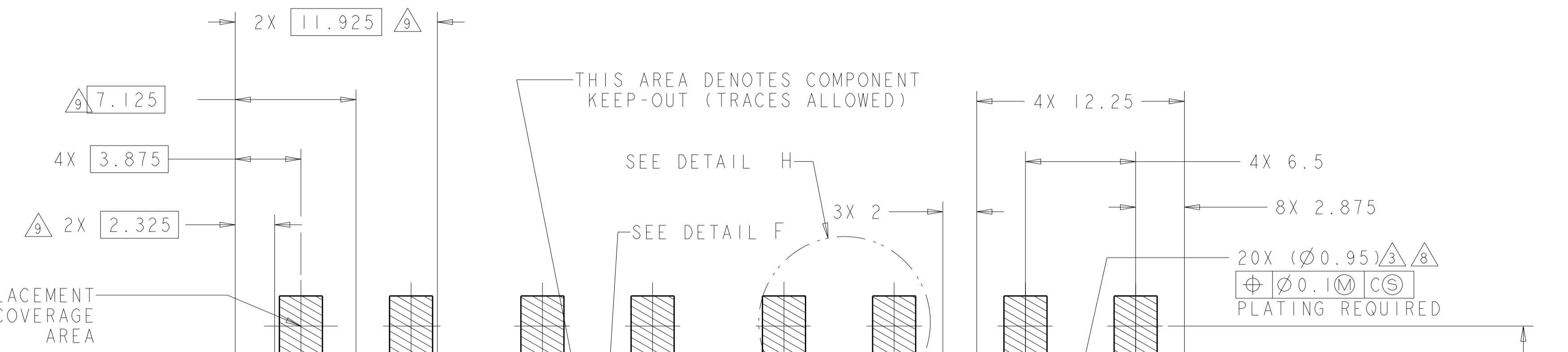
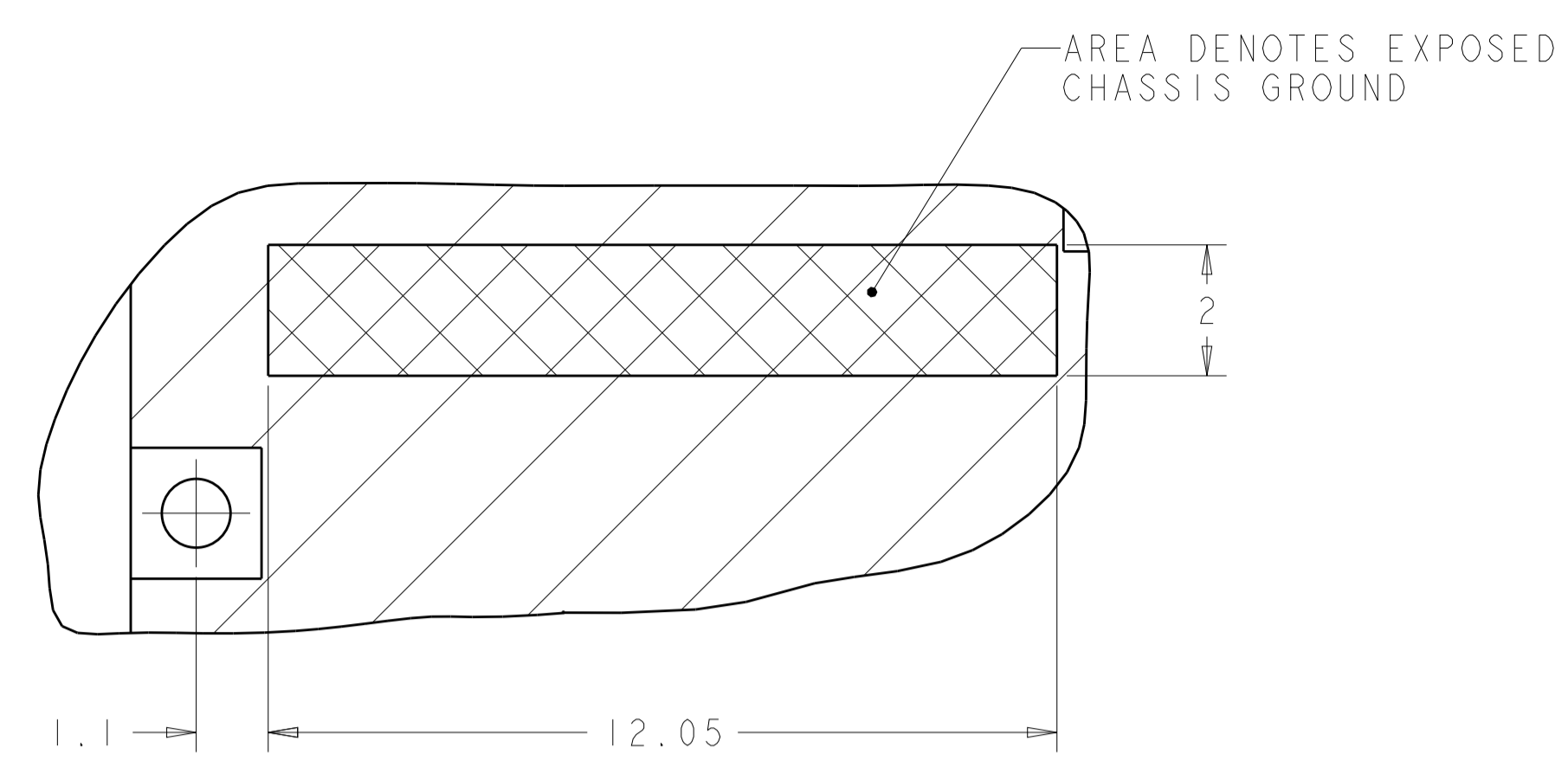
RECOMMENDED BEZEL CUT-OUT  
BELLY TO BELLY APPLICATIONS



2198234  
MOUNTED BELLY TO BELLY ON PC BOARD  
SHOWN THRU RECOMMENDED BEZEL

THIS DRAWING IS A CONTROLLED DOCUMENT.		DWN B. MATTHEWS 15NOV2011 CHK M. SCHMITT 15NOV2011 APVD M. SCHMITT 15NOV2011	<b>STE</b> TE Connectivity
DIMENSIONS:	TOLERANCES UNLESS OTHERWISE SPECIFIED:	NAME	SFP+ ENHANCED 1X4 CAGE ASSEMBLY, PRESS FIT, EXTERNAL EMI SPRINGS WITH HEATSINK AND LIGHTPIPE
mm	0 PLC ±0.1 1 PLC ±0.1 2 PLC ±0.1 3 PLC ±0.1 4 PLC ±0.1 ANGLES ±1°	PRODUCT SPEC	108-2364
		APPLICATION SPEC	114-13120
MATERIAL	FINISH	WEIGHT	Customer Drawing
		SIZE	A100779C=2198234
		SCALE	4:1
		SHEET	2 OF 4
		REV	A1

LOC		DIST		REVISONS			
GP	00	P	LTH	DESCRIPTION	DATE	DWN	APVD
-	-	-	-	SEE SHEET 1	-	-	-

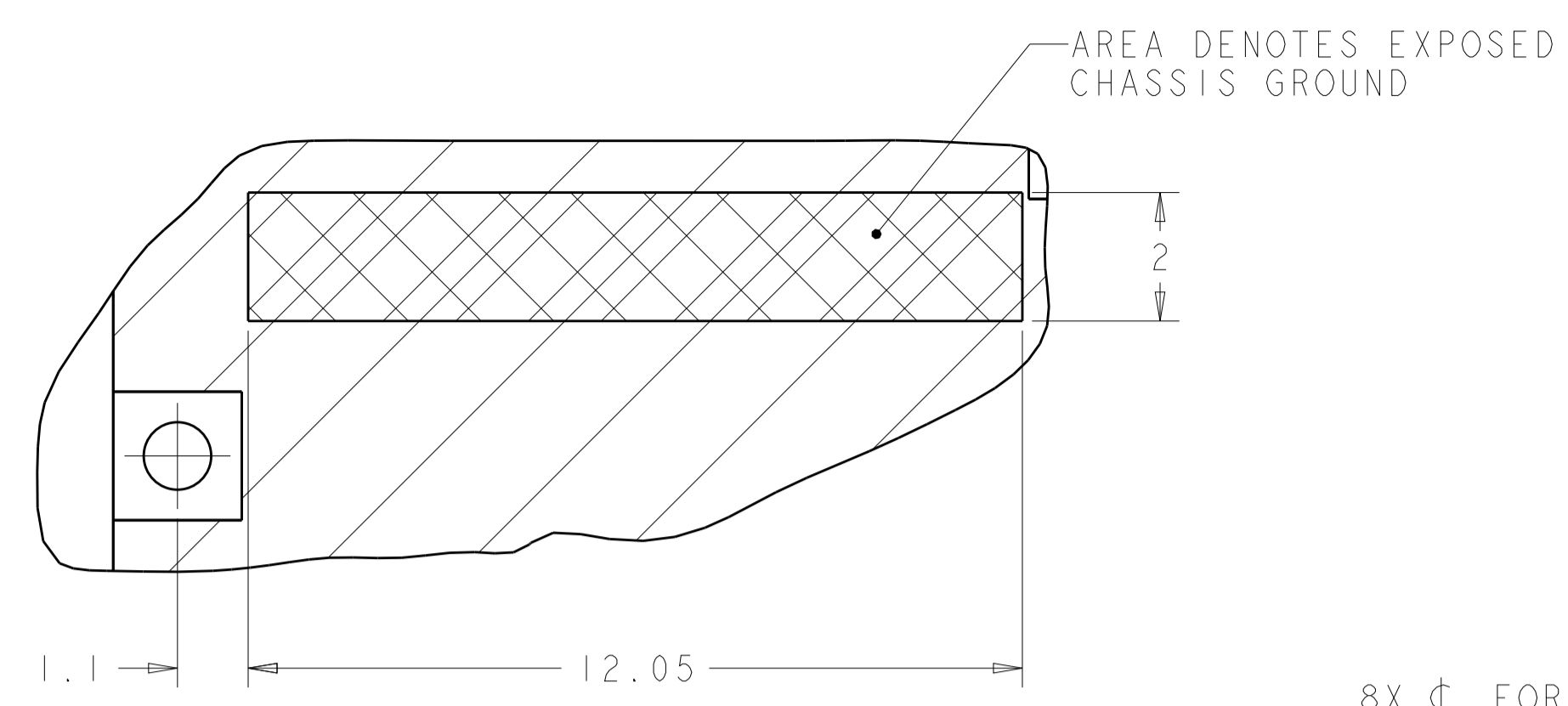


RECOMMENDED PCB CONFIGURATION WITH KEEP-OUT AREAS  
 SINGLE SIDED APPLICATIONS  
 SCALE 5:1

CROSS-HATCHED AREA DENOTES COMPONENT AND TRACE KEEP-OUT (EXCEPT CHASSIS GROUND)

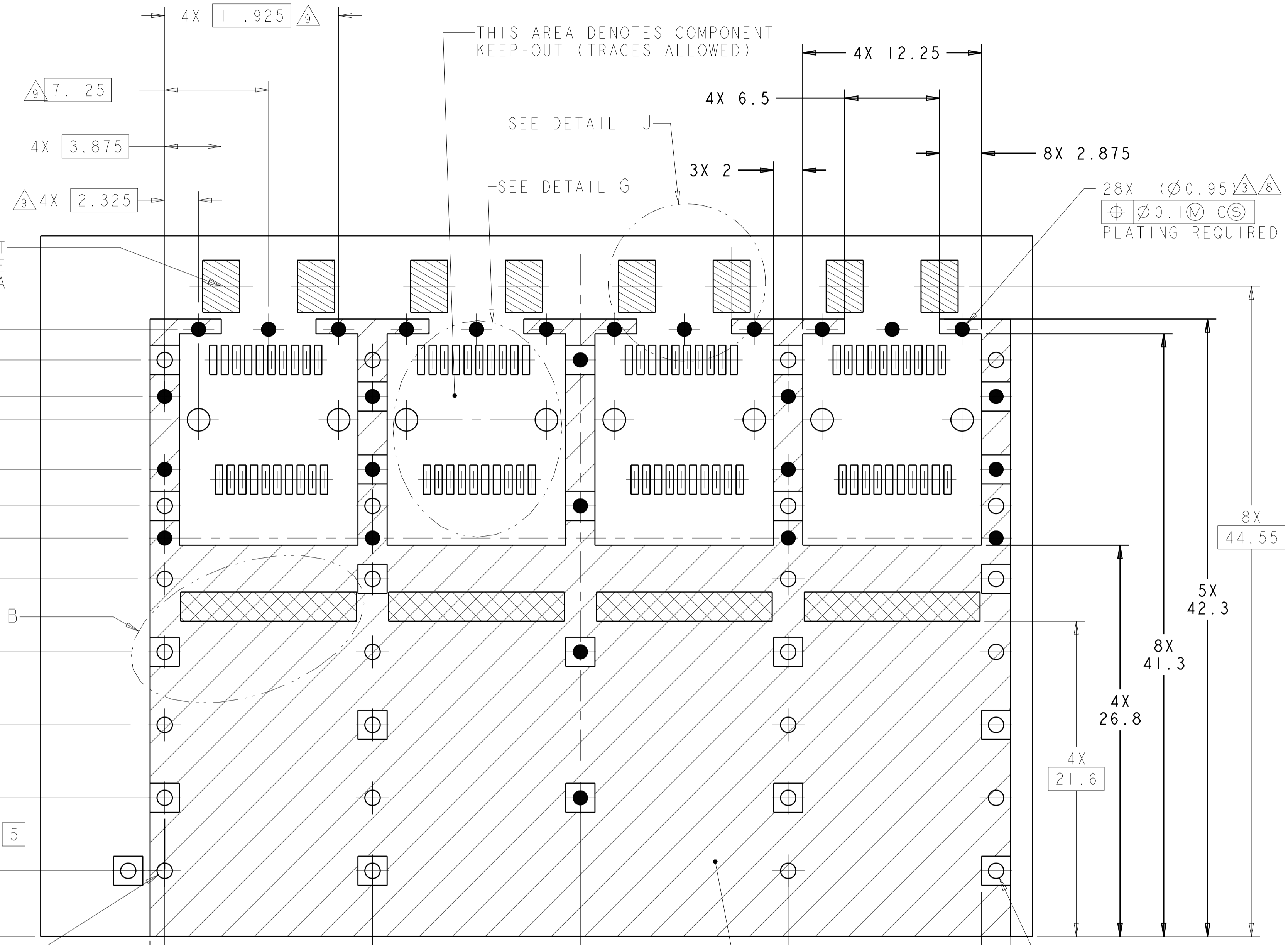
THIS DRAWING IS A CONTROLLED DOCUMENT.		DWN B. MATTHEWS 15NOV2011		TE Connectivity NAME: SFP+ ENHANCED 1X4 CAGE ASSEMBLY, PRESS FIT, EXTERNAL EMI SPRINGS WITH HEATSINK AND LIGHTPIPE	
DIMENSIONS: mm		CHK M. SCHMITT 15NOV2011			
TOLERANCES UNLESS OTHERWISE SPECIFIED:		APVD M. SCHMITT 15NOV2011		PRODUCT SPEC	
0 PLC ±0.1		1 PLC ±0.1		APPLICATION SPEC	
1 PLC ±0.1		2 PLC ±0.1		SIZE: 114-13120	
2 PLC ±0.1		3 PLC ±0.1		SCALE: 4:1	
3 PLC ±0.1		4 PLC ±0.1		SHEET 3 OF 4	
ANGLES ±1°		WEIGHT		REV A1	
FINISH		Customer Drawing		A100779 © 2198234	

LOC		DIST		REVISIONS				
GP	00	P	LTN	DESCRIPTION	DATE	OWN	APVD	
		-		SEE SHEET 1				



DETAIL B  
 4X INDIVIDUALLY  
 SCALE 10:1

8X  $\varnothing$  FOR LED PLACEMENT AND LIGHT PIPE COVERAGE AREA



THIS AREA DENOTES COMPONENT KEEP-OUT (TRACES ALLOWED)

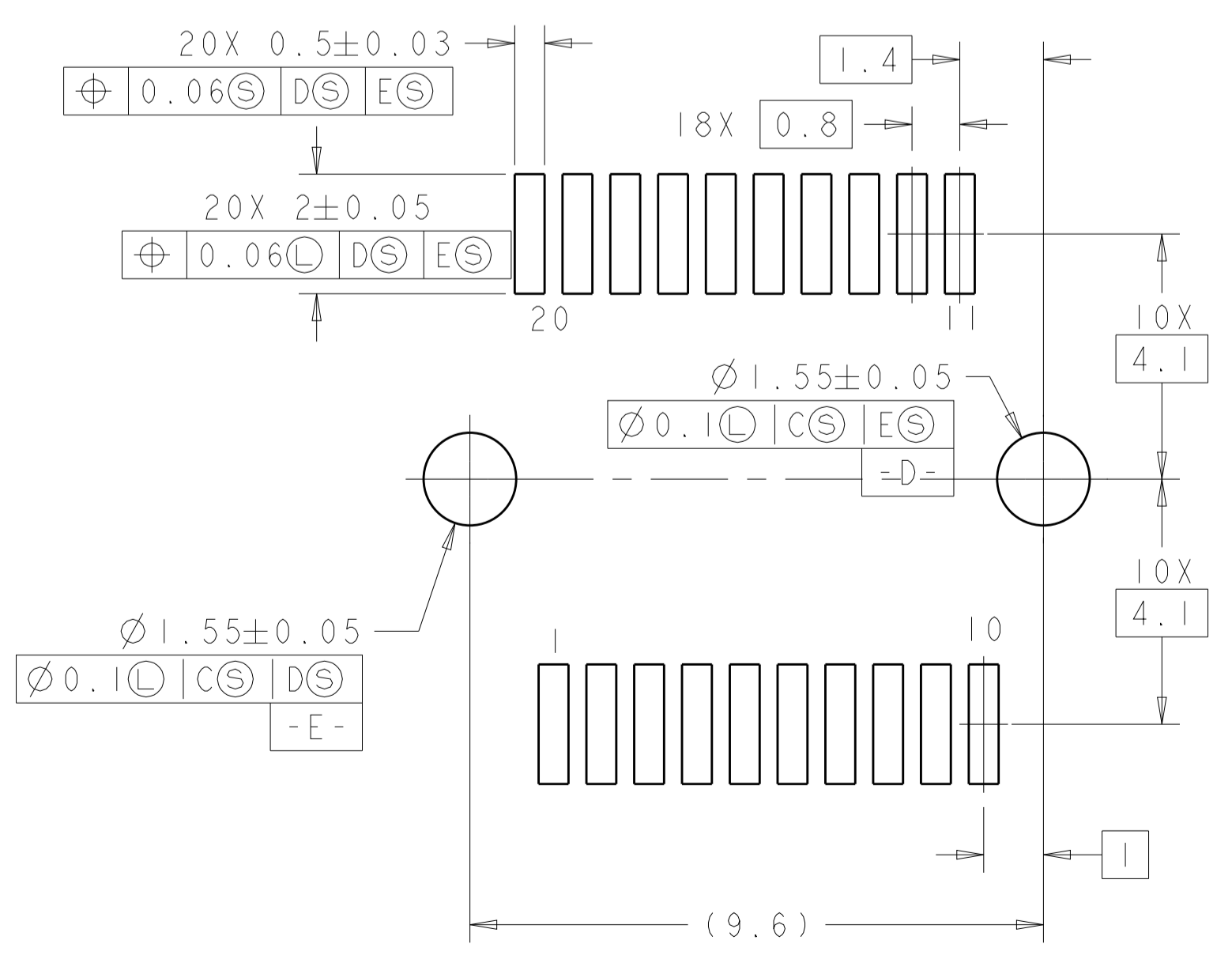
SEE DETAIL J

SEE DETAIL G

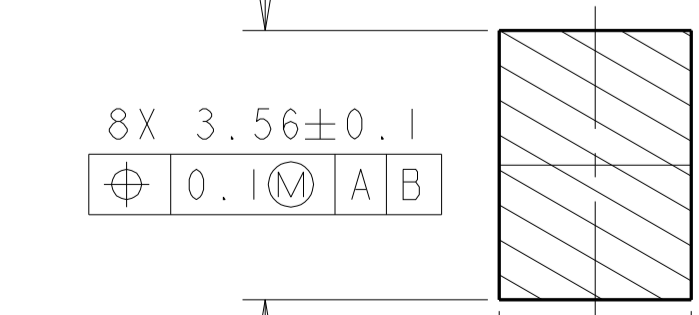
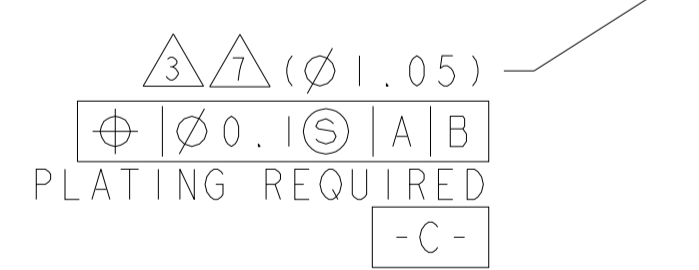
SEE DETAIL B

RECOMMENDED PCB CONFIGURATION WITH KEEP-OUT AREAS BELLY TO BELLY APPLICATIONS SCALE 5:1

CROSS-HATCHED AREA DENOTES COMPONENT AND TRACE KEEP-OUT (EXCEPT CHASSIS GROUND)



DETAIL G  
 RECOMMENDED PT CONNECTOR LAYOUT  
 8X INDIVIDUALLY  
 SCALE 10:1



DETAIL J  
 SCALE 10:1

THIS DRAWING IS A CONTROLLED DOCUMENT.		DWN B. MATTHEWS 15NOV2011		TE Connectivity NAME: SFP+ ENHANCED 1X4 CAGE ASSEMBLY, PRESS FIT, EXTERNAL EMI SPRINGS WITH HEATSINK AND LIGHTPIPE	
DIMENSIONS: mm		CHK M. SCHMITT 15NOV2011			
TOLERANCES UNLESS OTHERWISE SPECIFIED:		APPV M. SCHMITT 15NOV2011		SIZE CAGE CODE DRAWING NO. RESTRICTED TO	
0 PLC ±0.1		PRODUCT SPEC		A100779C=2198234	
1 PLC ±0.1		108-2364		SCALE 4:1 SHEET 4 OF 4 REV A1	
2 PLC ±0.1		APPLICATION SPEC			
3 PLC ±0.1		114-13120			
4 PLC ±0.1		WEIGHT			
ANGLES ±1°		Customer Drawing			

## X-ON Electronics

Largest Supplier of Electrical and Electronic Components

*Click to view similar products for [I/O Connectors](#) category:*

*Click to view products by [TE Connectivity](#) manufacturer:*

Other Similar products are found below :

[571763P](#) [58098-0628](#) [61-168618-12P](#) [D38999/20FJ24PA L/C](#) [D38999/20FJ29SB L/C](#) [D38999/24FG11SN L/C](#) [72.250.1628.2](#) [72.250.2428.2](#)  
[74720-0505](#) [76.350.0729.0](#) [76871-1403](#) [FCN-244F080-G/1](#) [FCN-260A9920](#) [FCN-268D024-G/2F#10X-R10](#) [MP-5T180MUNNA-005](#) [MP-5XRJ45UNNB-003](#) [PCS-E50FA](#) [PCS-XE26LKA](#) [PCS-XE26MA+](#) [PCS-XES68MS+](#) [G38A71314B](#) [91-569719-35R](#) [9776-18-6](#) [DX40-50P\(55\)](#) [1571250010](#) [157-22500-3](#) [MS3476W12-10S L/C](#) [1888020-8](#) [91-569786-35H](#) [91-569786-35M](#) [91-644626-35P](#) [172501-4002](#)  
[172501-6002](#) [FCN-260C008-A/L0](#) [FCN-260C024-AL0](#) [FCN-261Z008](#) [FCN-268D008-G/1K](#) [2000314-1](#) [200331-1](#) [2007498-2](#) [PCR-E28LMDAG1+](#) [PCR-E36FC+](#) [PCS-E28FS+](#) [PCS-XE26SLFD+](#) [PCS-XE26SLFDT+](#) [G38A71214B](#) [HDRA-E68W1LFDTC-SL+](#) [HDR-E14MSG1+](#) [R88A-CNK81S](#) [CRT1-ATT02](#)