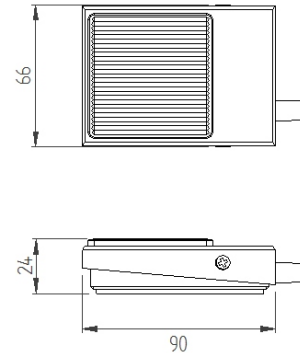


# 6289 General Purpose Footswitch

## PRODUCT IMAGE



## LINE DRAWING



## BENEFITS

- tough, compact and versatile
- steel construction gives long life and reliability
- customer colours and logo's available upon request
- unlimited cordset options available

## SPECIFICATIONS

|                        |  |
|------------------------|--|
| standards/approvals    | footswitch: low voltage directive 2006/95/EC, EN 60950<br>microswitch: EN 61058-2-1, EN 61058  |
| degree of protection   | EN 60529 IPX2 or IPX7 (IPX8 upon request)  |
| connection method      | stripped cable cores or connector of your choice   |
| electrical rating      | see table below  |
| contact configuration  | see table below  |
| pressure range         | n/a  |
| operating temperature  | -5 <sup>0</sup> C to +40 <sup>0</sup> C  |
| body material          | see table below – stainless steel versions available upon request  |
| weight                 | 0.28Kg   |
| additional information | cordset variations of each standard option are available<br>guards and multi-pedal versions are available, as are pneumatic versions, please refer to Airswitching section for details |

# 6289

## General Purpose Footswitch

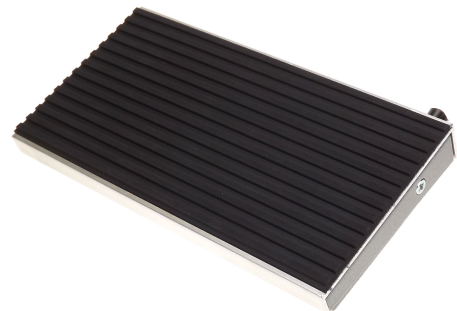
| model no.                       | 6289-PP  | 6289-WO        | 6289-DO        | 6289-DA        | 6289-SC        | 6289-CC        | 6289-CT        | 6289-WS         |
|---------------------------------|--|----------------|----------------|----------------|----------------|----------------|----------------|-----------------|
| depth                           | 90mm   |                |                |                |                |                |                |                 |
| width                           | 66mm   |                |                |                |                |                |                |                 |
| height                          | 24mm   |                |                |                |                |                |                |                 |
| material: body                  | 16 SWG mild steel, powder coat grey Hammertone |                |                |                |                |                |                | stainless steel |
| tread                           | polypropylene, black                           |                |                |                |                |                |                |                 |
| guard                           | 18 SWG mild steel, powder coat grey hammertone |                |                |                |                |                |                |                 |
| no. of poles & action           | SPST latching                                  | SPST N/O       | DPST N/O       | DPST staggered | SPST N/O       | SPCO           | SPCO           | SPST N/O        |
| cable                           | 2 core + earth                                 | 2 core + earth | 4 core + earth | 4 core + earth | 2 core + earth | 3 core + earth | Terminal block | 2 core + earth  |
| cable length as std             | 2m   | 2m             | 2m             | 2m             | 2m             | 2m             | n/a            | 2m              |
| cable O/D (mm)                  | 6.8 (nom)                                      | 6.8 (nom)      | 6.8 (nom)      | 6.8 (nom)      | 6.8 (nom)      | 6.8 (nom)      | n/a            | 6.8 (nom)       |
| current rating @ 250V AC (½ HP) | 6(3)A  | 6(1.5)A        | 3(3)A          | 3(3)A          | 6(3)A          | 6(6)A          | 6(3)A          | 3(3)A           |
| internal switch module          | IPX2   | IPX7           | IPX2           | IPX2           | IPX2           | IPX2           | IPX2           | IPX7            |

# 6289 General Purpose Footswitch

## PRODUCT IMAGE



## PRODUCT IMAGE



### BENEFITS 6289-SB

- wide choice of switching options
- various pedal and base colours available
- robust high reliability

### BENEFITS 6289-01

- choice of switching options
- custom made lengths upon request
- customer logo's available upon request

### SPECIFICATIONS

|                        |   |
|------------------------|---|
| standards/approvals    | footswitch: low voltage directive 2006/95/EC, EN 60950<br>microswitch: EN 61058-2-1, EN 61058 |
| degree of protection   | EN 60529 IPX2 or IPX7 (IPX8 upon request)   |
| connection method      | stripped cable cores or connector of your choice  |
| electrical rating      | see table below   |
| contact configuration  | see table below   |
| pressure range         | n/a   |
| operating temperature  | -5 <sup>0</sup> C to +40 <sup>0</sup> C   |
| body material          | see table below   |
| weight                 | see table below   |
| additional information | cordset variations of each standard option are available                                      |

# 6289

## General Purpose Footswitch

|                        |  |   |
|------------------------|--|---|
| model no               | 6289-SB  | 6289-01   |
| depth                  | 100mm  | 95mm  |
| width                  | 180mm  | 760mm (200mm to 3m possible)  |
| height                 | 32mm   | 25mm  |
| weight                 | 0.79Kg   | 1.2Kg   |
| guard                  | 230mm x 100mm x 100mm (optional extra)                         | n/a   |
| divider option         | Fitted to central boss   | n/a   |
| material: body         | 2 mild steel switches on die cast aluminium base               | 2 mild steel switches under aluminium extrusion                                 |
| tread                  | Std black polypropylene (other colours available upon request) | Black rubber tread  |
| guard                  | 18 SWG mild steel, painted                                     |   |
| colour option          | Grey Hammertone (other colours available)                      | n/a   |
| no. of poles           | Single and double pole versions available                      | 2 x N/O single pole footswitches (Change over & double pole versions available) |
| cable                  | Dependent on application                                       | 3 core as std. (other types available upon request or dependent on application) |
| cable length as std    | 2m   | 2m  |
| current rating         | 0.1A 24V AC/DC – 3A 250V AC                                    | 6(3)A 1/2 HP  |
| internal switch module | IPX2 or IPX7   | IPX2 or IPX7  |

## X-ON Electronics

Largest Supplier of Electrical and Electronic Components

*Click to view similar products for [9V Battery Snaps & Contacts](#) category:*

*Click to view products by [Herga](#) manufacturer:*

Other Similar products are found below :

[139B](#) [173P](#) [266](#) [491-SC36](#) [642-S](#) [1295](#) [12BC2202-GR](#) [2238](#) [2241](#) [2242](#) [2243](#) [227](#) [236](#) [237](#) [2410.0301-01](#) [262](#) [270](#) [271](#) [121-0626/I-GR](#)  
[121-0426/IM-GR](#) [121-0626/T-GR](#) [121-0826/T-GR](#) [121-1026/I-GR](#) [12BH617T-GR](#) [123-5025-GR](#) [12BC269-GR](#) [12BH615D-GR](#) [121-](#)  
[0624/O-GR](#) [GEM-V36](#) [531-SWHOX](#) [971-SB](#) [T-91-SC3](#) [632-DA](#) [634-DA](#) [636-S](#) [635-S](#) [632S TWIN DIVIDER](#) [3C-30A2-S](#) [3B-30A2-S](#)  
[534-SS](#) [491-S](#) [L-2-S](#) [971-SO](#) [972-S](#) [606-1300-011](#) [606-1800-012](#) [616-1800-247](#) [6254-OB](#) [6289-PP](#) [6289-CC](#)