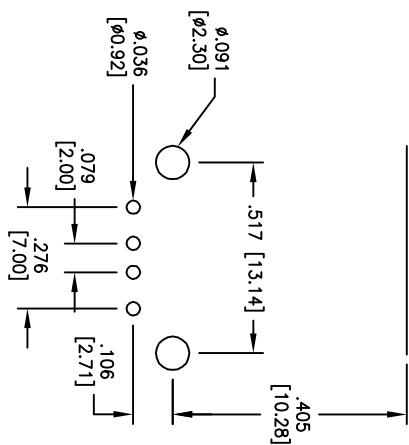
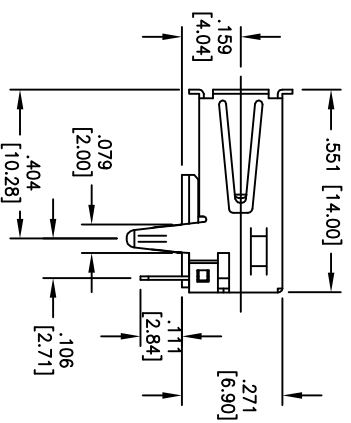
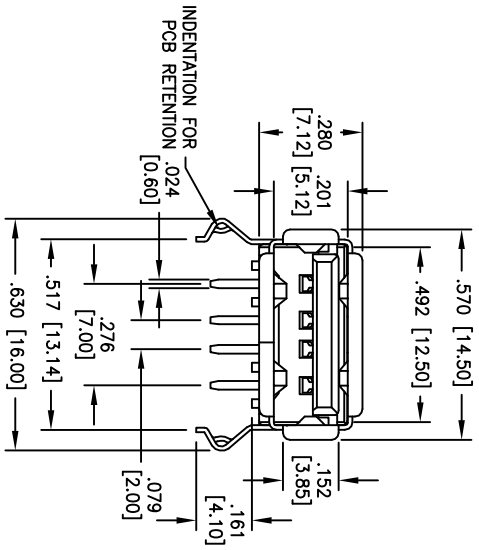


APPROVED: _____
 DATE: _____ TITLE: _____

Rev	AWO #	Description	Date	Appr
-		RELEASED	12/3/04	
A		RE-DESIGNED SHELL AND INSULATOR	1/06/06	
B		ADDED DIM.	01/23/13	



RECOMMENDED
PCB LAYOUT

SPECIFICATIONS:

Material:
 Insulator: PBT, Glass filled, rated UL 94V-0
 Insulator color: Black
Contacts: Phosphor Bronze
 Shell: Steel, nickel plated
Plating:
 Gold flash over Nickel underplate on contact area,
 Tin over Copper underplate on PCB tails

Electrical:
 Operating voltage: 30 VAC max.
 Current rating: 1.5 Amp max, @250V AC
 Contact resistance: 30 mohms max.
 Insulation resistance: 1000 Mohms min.
 Dielectric withstanding voltage: 500 VAC for 1 minute
Temperature Rating:
 Operating temperature: -20°C to +60°C
Environmental:
 Lead free, RoHS compliant.



ADAM TECH

909 Railway Avenue, Union, NJ 07083
 Phone: 908-687-5000 Fax: 908-687-5710

TITLE: UNIVERSAL SERIAL BUS
 SINGLE PORT, RIGHT ANGLE, PCB

UNLESS OTHERWISE SPECIFIED ALL DIMENSIONS ARE INCHES [MM] TOLERANCES: EXCEPT AS NOTED INCHES		DRAWN		DATE	
.X ± .10	ØXX ± .10	SS	10/4/04		
.XX ± .020	ØXXX ± .015	CHECKED			
.XXX ± .015	ØXXXX ± .010	APPROVED			
TITLE: UNIVERSAL SERIAL BUS SINGLE PORT, RIGHT ANGLE, PCB		SIZE: X	PART NO.: USB-A-S-RA	SCALE: NTS	REV: B
REF: S00006C					SHEET 1 OF 1

X-ON Electronics

Largest Supplier of Electrical and Electronic Components

Click to view similar products for [USB Cables / IEEE 1394 Cables](#) category:

Click to view products by [Adam](#) manufacturer:

Other Similar products are found below :

[68768-0173](#) [FNY-W6003-01](#) [88764-0800](#) [13805532](#) [148700-1](#) [17-200621](#) [17-250051P](#) [954](#) [AC102012-2](#) [IP-USB1\(C10\)S-RW](#)
[CABLE/RTP/USB/DT](#) [10115240-12200LF](#) [RS232-GTD](#) [USBFTVX2SA2N03A](#) [USBFTV2SA2N03A](#) [1689404-1](#) [FTP-629Y401](#) [FTP-](#)
[628Y402](#) [943301-001](#) [FNY-W6022](#) [FNY-W6003-03](#) [1310-1015-05](#) [1310-1018-04](#) [1310-1019-04](#) [UA-30AMFM-SL7B02](#) [UA-30AMFM-](#)
[SL7B01](#) [UA-30AFM-LD7B03](#) [UA-30AMFM-SL7B03](#) [USBAPSCC7202A](#) [UES-1001A160](#) [UES-1003A160](#) [USBFTVX7SA2N20A](#)
[USBFTVX2SA2N20A](#) [USBFTV2PEMSA2N10A](#) [FTP-629Y602](#) [USBCAMCM100](#) [USB A/F*2 to 2.54 2*5P-SH L=400mm](#) [EP-](#)
[CBUSB10P2FLT](#) [1310-1033-01](#) [1310-1037-04](#) [ASR-USB](#) [68784-0075](#) [17-241361](#) [17-230471](#) [217B-BC02](#) [USB-29](#) [19800-010500-200-RS](#)
[USB+MINI DIN 6P WITH BKT](#) [088738-8100](#) [106413-4410](#)