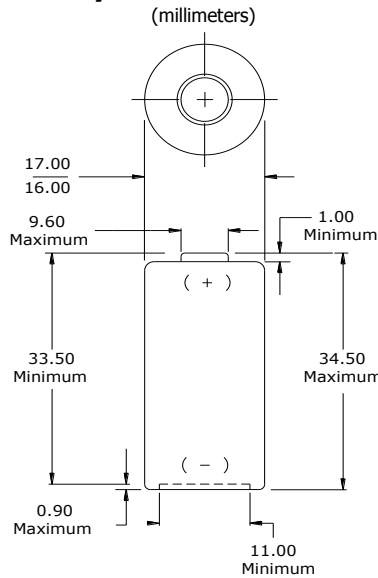


ENERGIZER 123

Photo



Industry Standard Dimensions



This battery contains a Positive Temperature Coefficient (PTC) safety device to limit current during short circuit conditions.

Simulated Application Tests

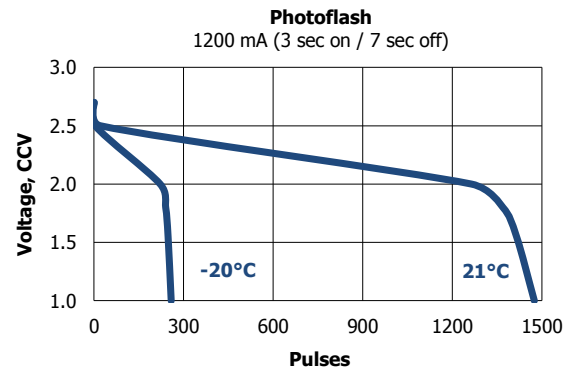
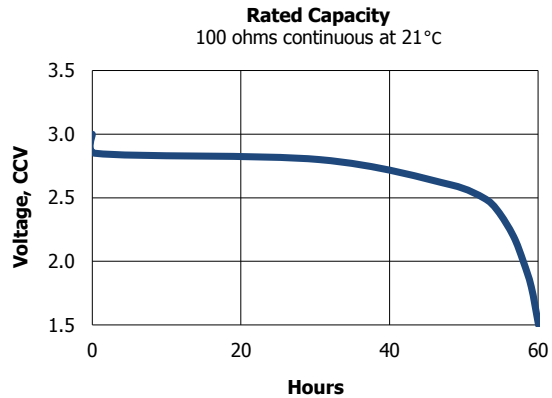
Typical Use Performance

Type (time)	Drain (mA)	Load (ohms)	Cutoff Voltage		
			2.0V (21°C) (hours)	1.8V (21°C) (pulses)	1.55V (21°C) (pulses)
Capacity (continuous)	---	100	58	---	---
Photoflash (3 / 27 sec)	900	---	---	---	2000
Photoflash (3 / 7 sec)	1200	---	---	1370	---
Photoflash (3 / 7 sec)	1800	---	---	860	---

Specifications

- Classification:** "Lithium"
- Chemical System:** Lithium / Manganese Dioxide (Li/MnO₂)
- Designation:** IEC-CR17345
- Nominal Voltage:** 3.0 Volts
- Storage Temp:** -40°C to 60°C
- Operating Temp:** -40°C to 60°C
- Typical Capacity:** 1500 mAh (to 2.0 volts) (rated at 100 ohms at 21°C)
- Typical Weight:** 17 grams
- Typical Volume:** 7.0 cubic centimeters
- Max Discharge:** 1500 mA continuous (3500 mA pulse)
- Max Rev Charge:** 2 uA
- Typical Li Content:** 0.55 grams

Typical Discharge Characteristics



Important Notice

This data sheet contains typical information specific to products manufactured at the time of its publication.
©Energizer Holdings, Inc. - Contents herein do not constitute a warranty.

X-ON Electronics

Largest Supplier of Electrical and Electronic Components

Click to view similar products for [energizer manufacturer](#):

Other Similar products are found below :

[1215F2X3](#) [LR43 186](#) [AC13](#) [AC675](#) [603298](#) [638006](#) [639830](#) [S9025](#) [7638900414660](#) [HARD CASE RECHARGEABLE](#) [HARD CASE PRO](#)
[MULTI USE](#) [HCHD311](#) [S9029](#) [639826](#) [603386](#) [HARD CASE PROFF 4AA](#) [HARDCASE PRO HEADLIGHT](#) [639618](#) [RCLINM2WR](#)
[S8865](#) [S8707](#) [S8100](#) [7638900424478](#) [7638900313130](#) [626177](#) [E300116200](#) [E300280600](#) [639838](#) [HARDCASE PRO WORK LIGHT](#)
[603305](#) [METAL LED 6AA](#) [S8864](#) [HDD32E](#) [MS2AALED](#) [ENERGIZER® 2-IN-1 LANTERN HANDHELD](#) [E300124200](#) [E300171700](#)
[ENFFL81E](#) [E300112600](#) [633474](#) [HDA32E](#) [7638900421422](#) [HARD CASE PRO PIVOT](#) [HCSP61E](#) [7638900424485](#) [HDC32E](#) [E300115800](#)
[AZ10DP-8](#) [7638900419580](#) [TUF2AAPE](#)