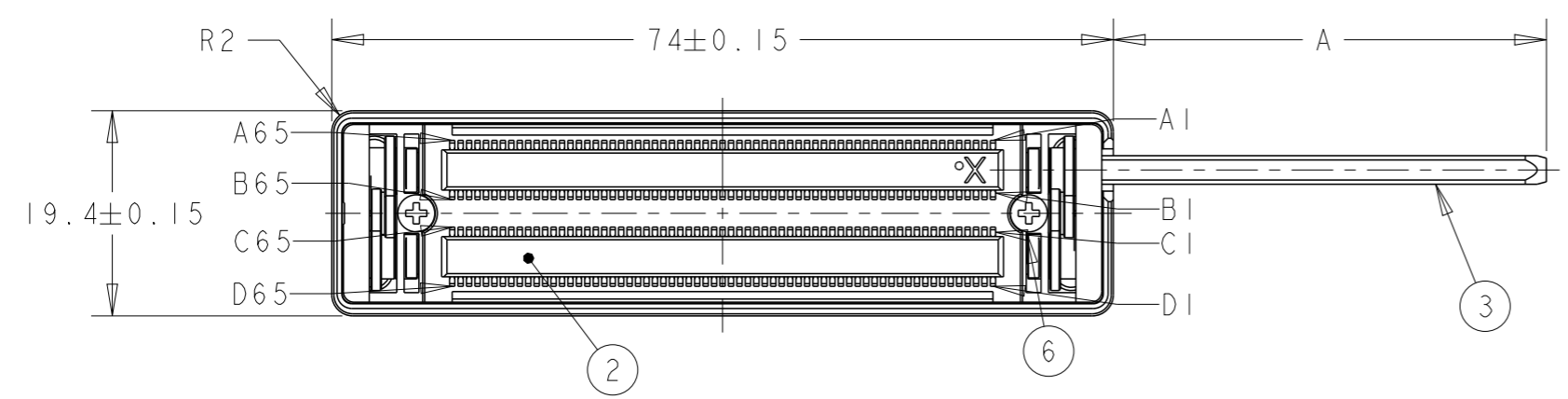
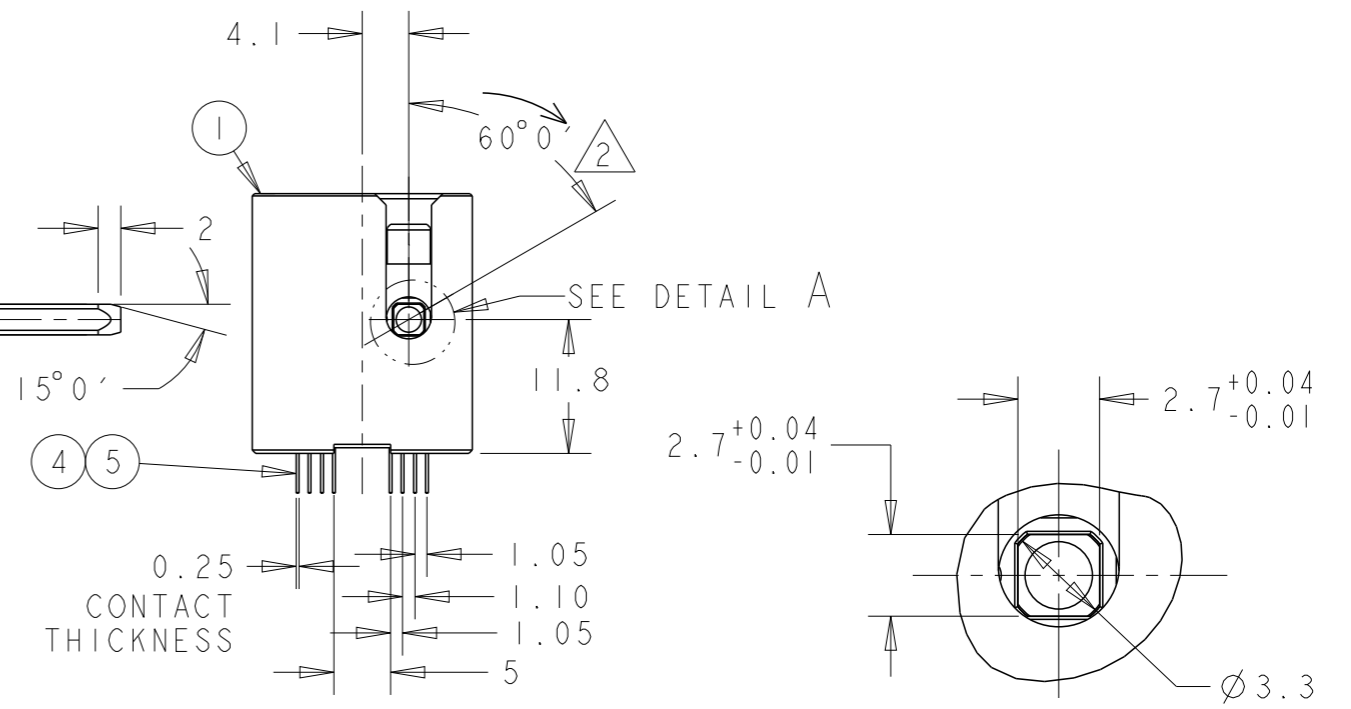
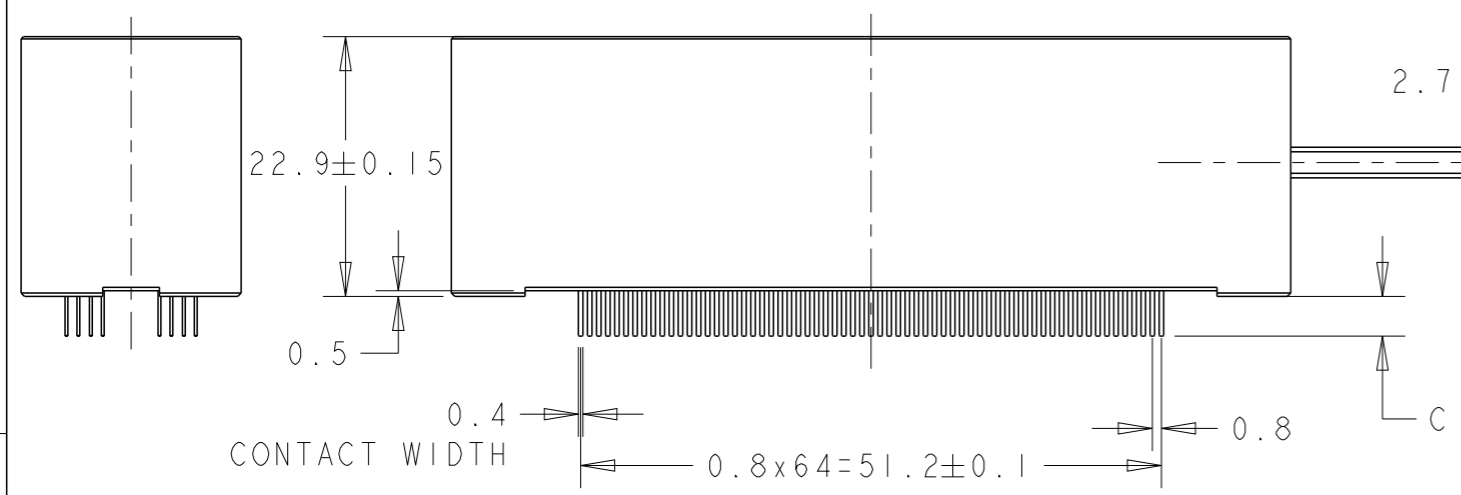


THIS DRAWING IS UNPUBLISHED. RELEASED FOR PUBLICATION 2007  
 © COPYRIGHT 2007-2013 ALL RIGHTS RESERVED.

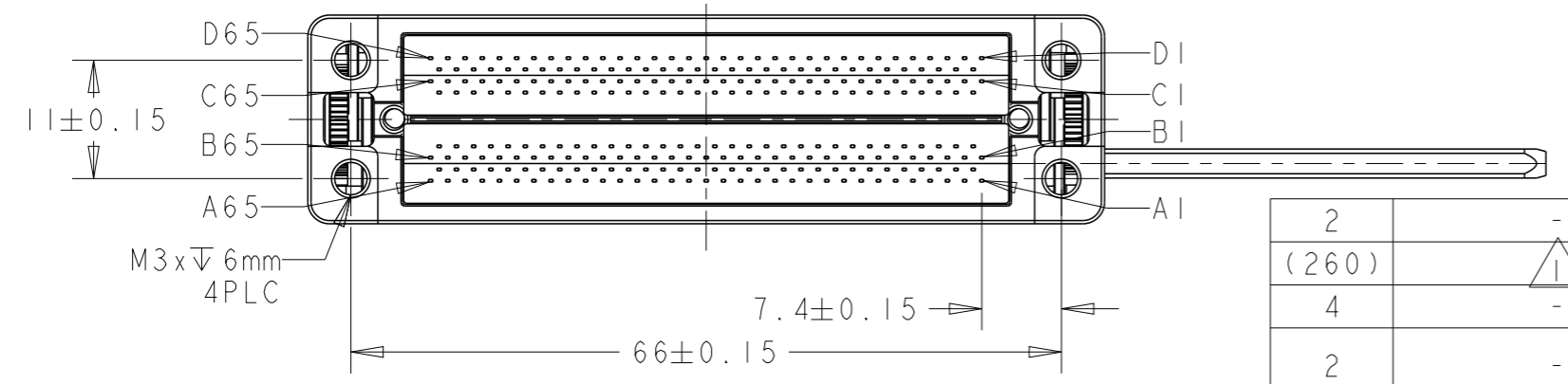
LOC	DIST	REVISIONS			
P	LTR	DESCRIPTION	DATE	DWN	APVD
J	-	E	REVISED	11DEC2012	T.K M.K
		F	REVISED	10JUN2013	T.K M.K
		G	REVISED	18MAR2015	T.K M.K



ROHS COMPLIANT



DETAIL A SCALE 4:1



QTY	FINISH	MATERIAL	NAME	ITEM NO
2	-	STAINLESS STEEL	SCOTCH-GRIP 2510	6
(260)	⚠	COPPER ALLOY	CONTACT	5
4	-	LCP	INSERT MOLD, CONTACT	4
2	-	SUS 304 AND PLASTIC (COLOR BLACK)	ACTUATOR ASSY	3
1	-	LCP	COVER HOUSING, REC	2
1	Ni PLT. 2.5~5μm	ZINC DIECAST	BASE HOUSING, REC	1

DIMENSION "C"	DIMENSION "A"	PART NUMBER
2.8±0.2	41	6565204-9
3.1±0.25	41	6565204-8
3.5±0.4	20	6565204-6
2.5±0.25	20	6565204-5
2.5±0.25	26.82±0.2	6565204-4
2.5±0.25	41	6565204-3
3.5±0.4	41	6565204-1

THIS DRAWING IS A CONTROLLED DOCUMENT.

DIMENSIONS: mm

TOLERANCES UNLESS OTHERWISE SPECIFIED:

0 PLC ±0.3  
 1 PLC ±0.25  
 2 PLC ±0.2  
 3 PLC ±  
 4 PLC ±  
 ANGLES ±3  
 FINISH ⚠

MATERIAL SEE TABLE

DWN T.Kanno 5MAR2007  
 CHK M.Kimura 5MAR2007  
 APVD M.Kimura 5MAR2007  
 PRODUCT SPEC 108-5771  
 APPLICATION SPEC 114-5505  
 WEIGHT 85g

**TE** TE Connectivity

NAME REC ASSEMBLY TC-ZIF CONNECTOR 0.8mm PITCH 260P

SIZE A3 CAGE CODE DRAWING NO C-6565204 RESTRICTED TO -

CUSTOMER DRAWING SCALE 3:2 SHEET 1 OF 2 REV G

LOC  
J

DIST  
-

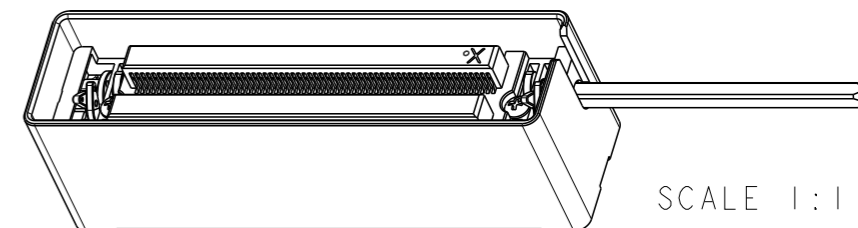
REVISIONS

P	LTR	DESCRIPTION	DATE	DWN	APVD
-	-	SEE SHEET 1	-	-	-

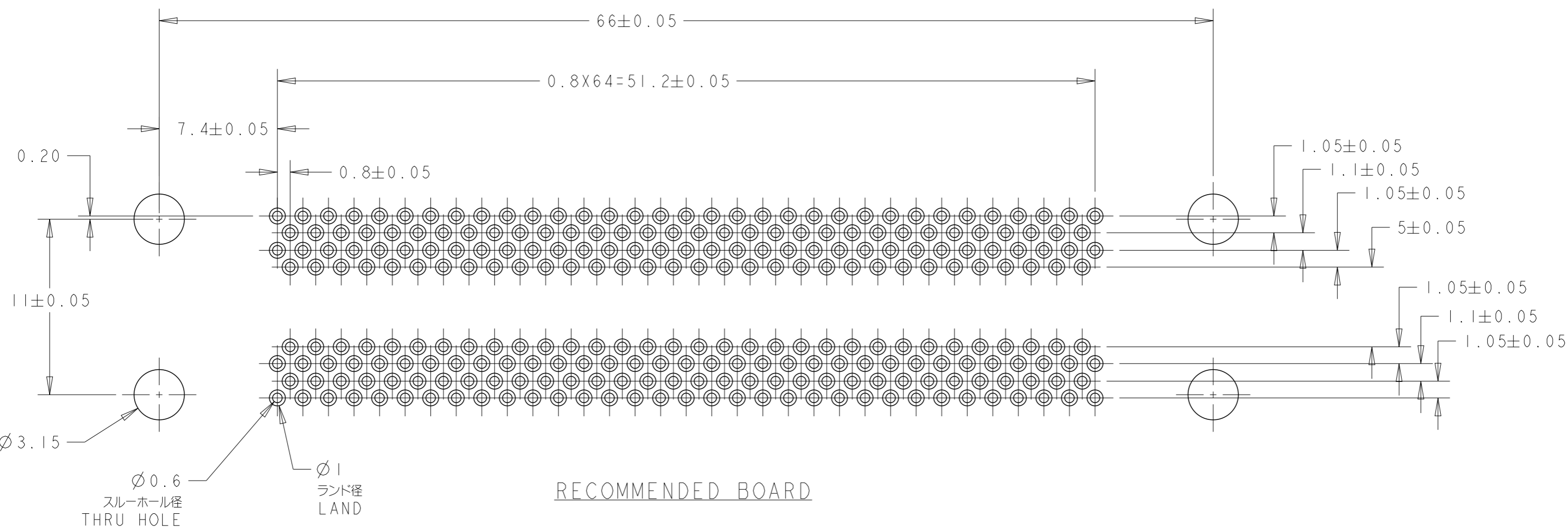
① MATING AREA: 1μmMIN GOLD PLATING  
OVER 2.5μmMIN NICKEL  
SOLDERING AREA: GOLD FLASH  
OVER 2.5μmMIN NICKEL  
OTHERS: 2.5μmMIN NICKEL

② BY ROTATING 60±5 DEGREES OF SHAFT CLOCKWISE,  
CONNECTOR IS MATED WITH HDR.  
CONTACT ENGAGEMENT : 15±5DEG.


3. PIN ASSIGNMENTS AS A REFERENCE



SCALE 1:1



RECOMMENDED BOARD

THIS DRAWING IS A CONTROLLED DOCUMENT.		DWN T.Kanno	5MAR2007	 TE Connectivity	NAME REC ASSEMBLY TC-ZIF CONNECTOR 0.8mm PITCH 260P
DIMENSIONS: mm		CHK M.Kimura	5MAR2007		
TOLERANCES UNLESS OTHERWISE SPECIFIED:		APVD M.Kimura	5MAR2007		
0 PLC ±0.2 1 PLC ±0.15 2 PLC ±0.1 3 PLC ± 4 PLC ± ANGLES ±3		PRODUCT SPEC 108-5771	APPLICATION SPEC 114-5505		
MATERIAL -	FINISH -	WEIGHT -	CUSTOMER DRAWING	SIZE A3	CAGE CODE G-6565204
				RESTRICTED TO -	SCALE 3:2
				SHEET 2	OF 2
				REV G	

## X-ON Electronics

Largest Supplier of Electrical and Electronic Components

*Click to view similar products for [Standard Card Edge Connectors](#) category:*

*Click to view products by [TE Connectivity](#) manufacturer:*

Other Similar products are found below :

[6565204-6](#) [PKC-156](#) [1437274-4](#) [147889-1](#) [1489165-4](#) [EBT156-12B1X](#) [EBT15622B2X](#) [EBT156-22R2W](#) [1-582587-1](#) [1-582589-1](#) [2-6437275-9](#) [284-0102-12100](#) [306022901000000](#) [307-012-502-202](#) [307-024-526-201](#) [307-056-520-300](#) [307-080-526-208](#) [245-062-520-350](#) [287-0032-12101](#) [306-010-500-112](#) [306-028-525-102](#) [306-240-318](#) [307-036-502-202](#) [307-036-521-301](#) [307-072-526-202](#) [345-060-559-303](#) [368-004-520-201](#) [392-008-559-201](#) [534671-1](#) [5-530501-5](#) [341-240-317](#) [345-029-520-300](#) [345-030-500-301](#) [345-044-500-300](#) [345-220-058](#) [346-240-318](#) [357-030-526-201](#) [387-012-523-300](#) [395-044-520-300](#) [395-100-524-300](#) [50-12B-10](#) [50-6SN-5](#) [09-07-2032](#) [10035388-106LF](#) [10035388-802LF](#) [10122859-009LF](#) [10127905-B04B24BLF](#) [530555-1](#) [EBT156-15A2X](#) [2007209-1](#)