

PROTECTION PRODUCTS - EMIClamp™

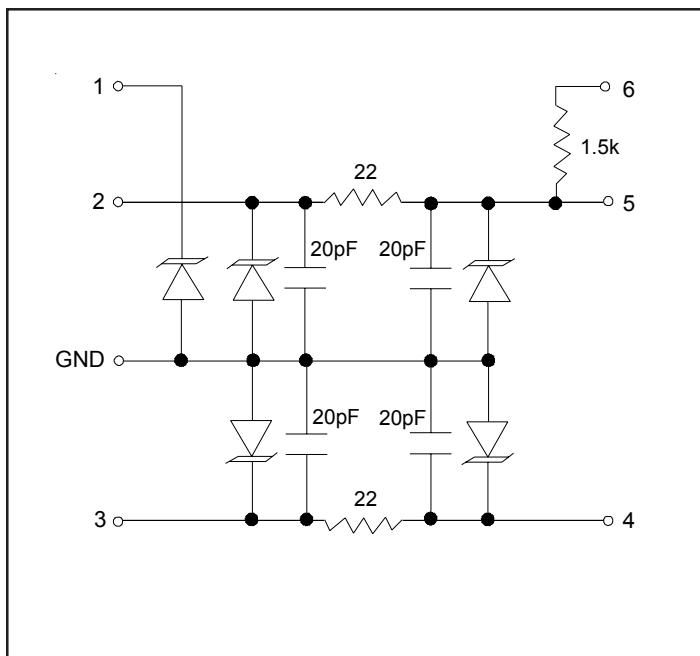
Description

The EClamp™2522P is an easily implemented solution for protection and termination of low speed or full speed Universal Serial Bus (USB) ports. Each device will provide termination, filtering, and ESD protection for one upstream USB port on cellular phones and other portable electronics. This state-of-the-art device utilizes solid-state silicon-avalanche technology for superior clamping performance and electrical characteristics.

Line termination is achieved with 22 Ohm series resistors on both the D+ and D- USB lines. TVS diodes are also included on each data line for ESD protection in excess of $\pm 15\text{kV}$ (air discharge) and $\pm 8\text{kV}$ (contact discharge) per IEC 61000-4-2, level 4. An additional TVS diode connection is included for protection of the voltage (VBus) bus. The 1.5k Ohm pull-up resistor is included on one of the USB data lines to identify the equipment as either a full-speed (connected to D+ line) or low-speed (connected to D- line) device.

The EClamp2522P is in a 6-pin, RoHS compliant, SLP1616P6 package. It measures 1.6 x 1.6 x 0.60mm. The leads are spaced at a pitch of 0.5mm and are finished with lead-free NiPdAu. The small package makes it ideal for use in portable electronics such as cell phones and digital still cameras.

Circuit Diagram



Features

- ◆ Bidirectional EMI/RFI filter with integrated TVS for ESD protection
- ◆ ESD protection to **IEC 61000-4-2 (ESD) Level 4, $\pm 15\text{kV}$ (air), $\pm 8\text{kV}$ (contact)**
- ◆ TVS working voltage: 5.25V
- ◆ Termination Resistor: 22 Ohms
- ◆ Capacitance: 45pF (Max at VR = 0V)
- ◆ Protection and filtering for one USB port
- ◆ Solid-state technology

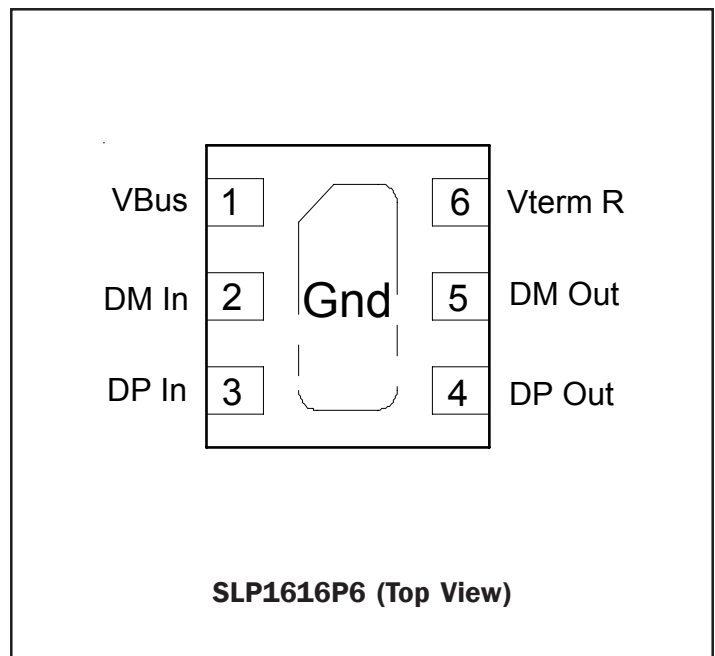
Mechanical Characteristics

- ◆ SLP1616P6 6L package
- ◆ RoHS/WEEE Compliant
- ◆ Nominal Dimensions: 1.6 x 1.6 x 0.60 mm
- ◆ Lead Finish: NiPdAu
- ◆ Molding compound flammability rating: UL 94V-0
- ◆ Marking : Marking code + date code
- ◆ Packaging : Tape and Reel per EIA 481

Applications

- ◆ USB Ports
- ◆ Cellular Handsets
- ◆ PDAs
- ◆ PC Peripherals
- ◆ MP3 Players

Pin Configuration



PROTECTION PRODUCTS

Maximum Ratings

Rating	Symbol	Value	Units
ESD per IEC 61000-4-2 (Air) ESD per IEC 61000-4-2 (Contact)	V_{ESD}	+/- 17 +/- 12	kV
Junction Temperature	T_J	125	°C
Operating Temperature	T_{op}	-40 to +85	°C
Storage Temperature	T_{STG}	-55 to +150	°C

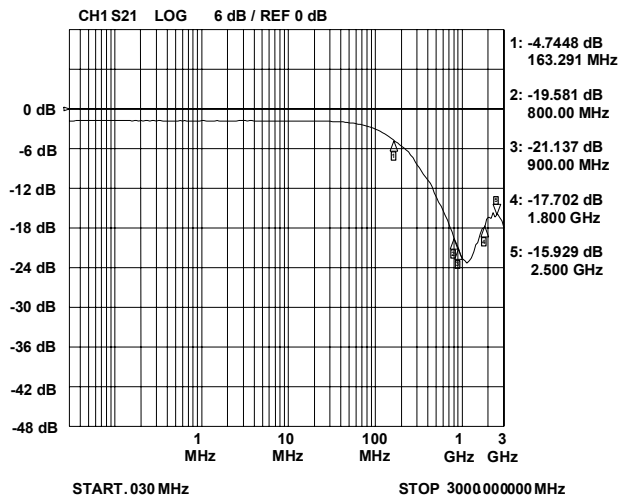
Electrical Characteristics (T=25°C)

Parameter	Symbol	Conditions	Minimum	Typical	Maximum	Units
TVS Reverse Stand-Off Voltage	V_{RWM}	Pin 1 to GND			5.5	V
TVS Reverse Breakdown Voltage	V_{BR}	Pin 1 to GND $I_t = 1mA$	6	7.5	9	V
TVS Reverse Leakage Current	I_R	$V_{RWM} = 5.5V$ Between data (D+, D-) pin and Ground			1	μA
TVS Reverse Leakage Current	I_R	Each Line			1	μA
Series Resistance	R_S	Each Line	20	22	24	Ohms
Pull Up Resistance	R_{PU}		1.35	1.5	1.65	kOhms
Total Capacitance	C_{TOT}	Pin 1, 2 or 3 to GND $V_R = 0V, f = 1MHz$	30	40	45	pF

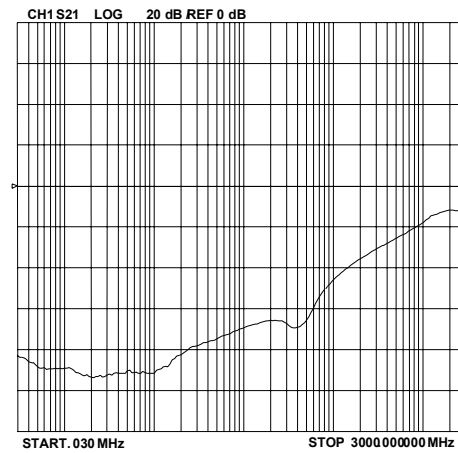
PROTECTION PRODUCTS

Typical Characteristics

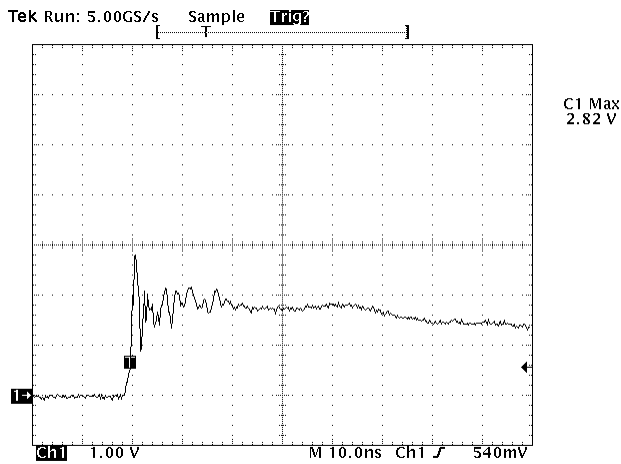
Typical Insertion Loss S21



Analog Crosstalk (Each Line)

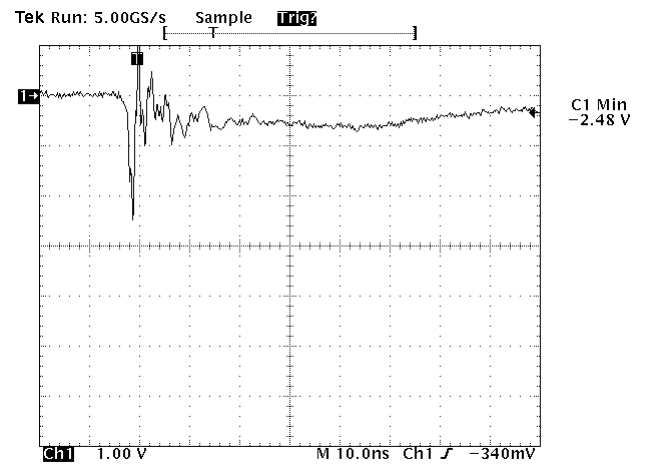


ESD Clamping (+8kV Contact)



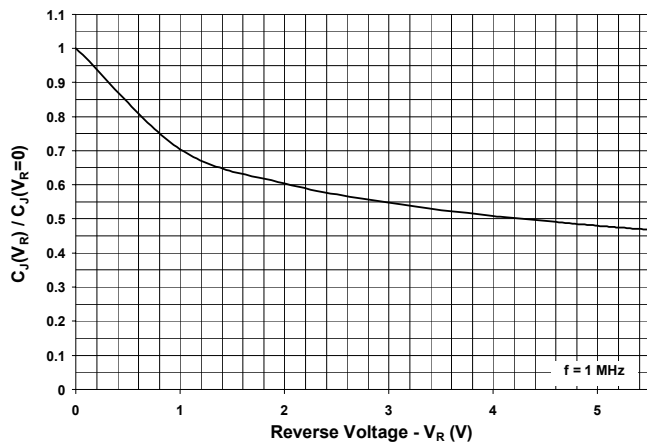
Note: Data is taken with a 10x attenuator

ESD Clamping (-8kV Contact)



Note: Data is taken with a 10x attenuator

Normalized Capacitance vs. Reverse Voltage



PROTECTION PRODUCTS

Device Connection

The EClamp2522P is designed to provide termination, EMI filtering and ESD protection for one USB port. The device is connected as follows:

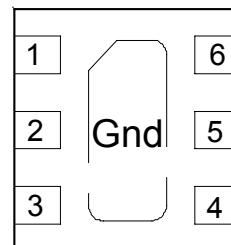
- 1. Full-Speed Devices:** For full-speed devices the pull-up resistor is connected to the D+ line. Route the D+ line from the connector to pin 2. Pin 5 is connected to the D+ line of the IC. Route the D- line from the connector to pin 3. Pin 4 is connected to the D- line of the IC. Pin 1 is connected to the voltage supply line (V_{BUS}). Pin 6 is connected to the 3.3 Volt supply. The ground connection is made to the center tab. For best results, use multiple vias to the ground plane to reduce parasitic inductance.
- 2. Low-Speed Devices:** For low speed devices the pull-up resistor is connected to the D- line. Route the D- line from the connector to pin 2. Pin 5 is connected to the D- line of the IC. Route the D+ line from the connector to pin 3. Pin 4 is connected to the D+ line of the IC. Pin 1 is connected to the voltage supply line (V_{BUS}). Pin 6 is connected to the 3.3 Volt supply. The ground connection is made to the center tab. For best results, use multiple vias to the ground plane to reduce parasitic inductance.

USB Port Design Considerations

The Universal Serial Bus (USB) specification requires termination and filtering components for proper operation. In addition, an open USB socket is vulnerable to hazardous ESD discharges in excess of 15kV. These discharges can occur on the data lines or the voltage bus. The EClamp2522P is an easily implemented solution that is designed to meet the termination and EMI filter requirements of the USB specification for low speed and full speed devices. It also provides ESD protection to IEC 61000-4-2, level 4.

USB line termination is achieved with series resistors on both the D+ and D- lines. These resistors preserve signal integrity by matching the cable impedance to that of the differential driver. A 1.5k Ω pull-up resistor is used to identify an upstream port on either the D+ (full speed devices) or the D- (low speed devices) data line. TVS diodes provide ESD protection of both (D+ and D-) data lines and the voltage bus (V_{BUS}). This integrated solution simplifies design and requires minimal board space.

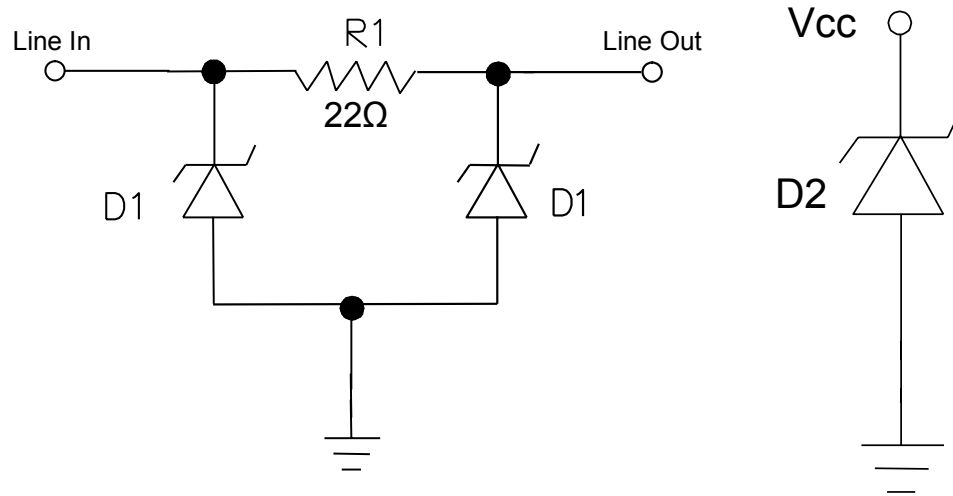
Figure 1 - Pin Identification and Configuration (Top Side View)



Pin	Symbol	Identification
1	VBus	5.25V VBus ESD Protection
2	DM In	USB data input with termination resistor
3	DP In	USB data input with termination resistor
4	DP Out	USB data output with termination resistor
5	DM Out	USB data output with termination resistor
6	V_{Term}	1.5k Ohm pull-up resistor
Center Tab	GND	Ground connection

PROTECTION PRODUCTS

Applications Information - Spice Model

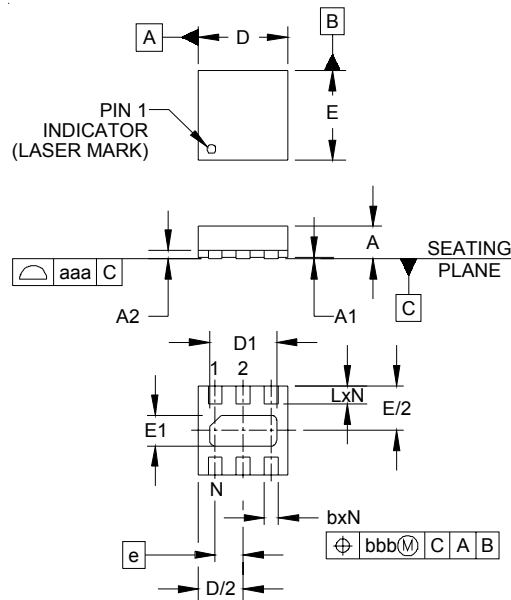


EClamp2522P Spice Model

EClamp2522P Spice Parameters			
Parameter	Unit	D1	D2
IS	Amp	3.4E-15	3.4E-15
BV	Volt	7.546	7.594
VJ	Volt	0.753	0.753
RS	Ohm	0.649	0.441
IBV	Amp	1E-3	1E-3
CJO	Farad	17E-12	31E-12
TT	sec	2.541E-9	2.541E-9
M	--	0.24	0.26
N	--	1.1	1.1
EG	eV	1.11	1.11

PROTECTION PRODUCTS

Outline Drawing - SLP1616P6

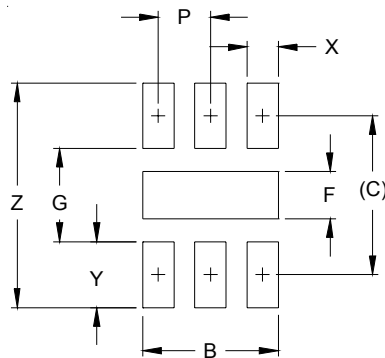


DIM	DIMENSIONS					
	INCHES			MILLIMETERS		
	MIN	NOM	MAX	MIN	NOM	MAX
A	.020	.023	.026	0.50	0.58	0.65
A1	0.00	.001	.002	0.00	0.03	0.05
A2	(.006)			(0.15)		
b	.007	.010	.012	0.20	0.25	0.30
D	.059	.063	.067	1.50	1.60	1.70
D1	.041	.047	.051	1.05	1.20	1.30
E	.059	.063	.067	1.50	1.60	1.70
E1	.016	.022	.026	0.40	0.55	0.65
e	.020 BSC			0.50 BSC		
L	.013	.013	.016	0.25	0.33	0.40
N	6			6		
aaa	.004			0.09		
bbb	.004			0.09		

NOTES:

1. CONTROLLING DIMENSIONS ARE IN MILLIMETERS (ANGLES IN DEGREES).
2. COPLANARITY APPLIES TO THE EXPOSED PAD AS WELL AS THE TERMINALS.

Land Pattern - SLP1616P6



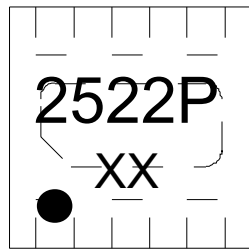
DIM	DIMENSIONS	
	INCHES	MILLIMETERS
B	.051	1.30
C	.060	1.52
P	.020	0.50
F	.018	0.45
G	.035	0.89
X	.012	0.30
Y	.025	0.63
Z	.085	2.15

NOTES:

1. THIS LAND PATTERN IS FOR REFERENCE PURPOSES ONLY. CONSULT YOUR MANUFACTURING GROUP TO ENSURE YOUR COMPANY'S MANUFACTURING GUIDELINES ARE MET.

PROTECTION PRODUCTS

Marking



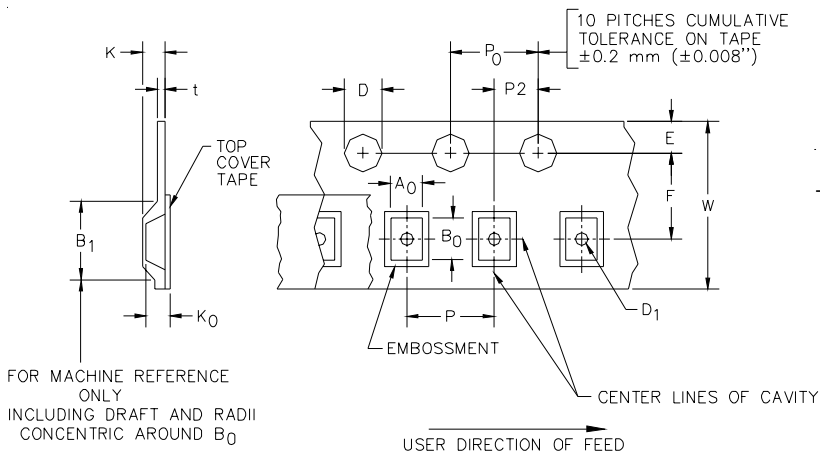
XX = Date Code

Ordering Information

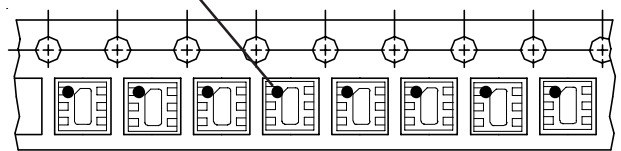
Part Number	Qty per Reel	Reel Size
EClamp2522P.TCT	3000	7 Inch

This is a lead-free RoHS/WEEE Compliant Device
EMIClamp and EClamp are marks of Semtech Corporation

Tape and Reel Specification



Pin 1 Location



Device Orientation in Tape
Pin 1 in upper left towards sprocket holes

A0	B0	K0
1.78 +/-0.05 mm	1.78 +/-0.05 mm	0.69 +/-0.05 mm

Tape Width	B, (Max)	D	D1	E	F	K (MAX)	P	P0	P2	T(MAX)	W
8 mm	4.2 mm	1.5 + 0.1 mm - 0.0 mm)	0.5 mm ±0.05	1.750±.10 mm	3.5±0.05 mm	2.4 mm	4.0±0.1 mm	4.0±0.1 mm	2.0±0.05 mm	0.4 mm	8.0 mm + 0.3 mm - 0.1 mm

Contact Information

Semtech Corporation
Protection Products Division
200 Flynn Rd., Camarillo, CA 93012
Phone: (805)498-2111 FAX (805)498-3804

X-ON Electronics

Largest Supplier of Electrical and Electronic Components

Click to view similar products for [semtech](#) manufacturer:

Other Similar products are found below :

[EBK-GS2971A-00](#) [SC202AEVB](#) [SLVU2.8-4.T](#) [SX1211SKA868](#) [SX8651EVKA](#) [EBK-GS6080-00](#) [SC183CULTRT](#) [SX1243SKA915](#)
[SX1211-11SKA868](#) [JANTXV1N5811US](#) [JANTX1N4986](#) [JANTX1N5552](#) [SM1231E868](#) [GRP-DATA-JANTXV1N5806US](#) [GRP-DATA-](#)
[JANS1N5811US](#) [1N6147](#) [EBK-GS3471-00](#) [GRPA-DATA-JANTXV1N6463US](#) [GRP-A-DATA-JANTX1N4465](#) [SC3BA6](#) [SM1211E868](#)
[SX1243SKA433](#) [SX1508BEVK](#) [SX8674EVK](#) [GS1524-CKDE3](#) [IOT434STK1-8](#) [IOT915STK1-8](#) [IOT922STK1-8](#) [SC3BH6](#) [SX1211-](#)
[11SKA915](#) [TSDMRX-5W-EVM](#) [SX1276DVK1JAS](#) [SM1212E433](#) [1N6138US](#) [SCH10000](#) [TS13102_TS13103_Combio_PTO_EVM](#) [RDK-](#)
[12GCONV-01](#) [IOT9USATREF-1](#) [1N4469](#) [SX1272DVK1BAS](#) [SX1276DVK1IAS](#) [SA4684](#) [SX9300EVKA](#) [SX1276DVK1KAS](#)
[JANTX1N5806T/R](#) [JANTX1N5806/TR](#) [TSDMTX-5V2-EVM](#) [SX1268DVK1GAS](#) [SX1302CSS923GW1](#) [SX1302CSS915GW1](#)