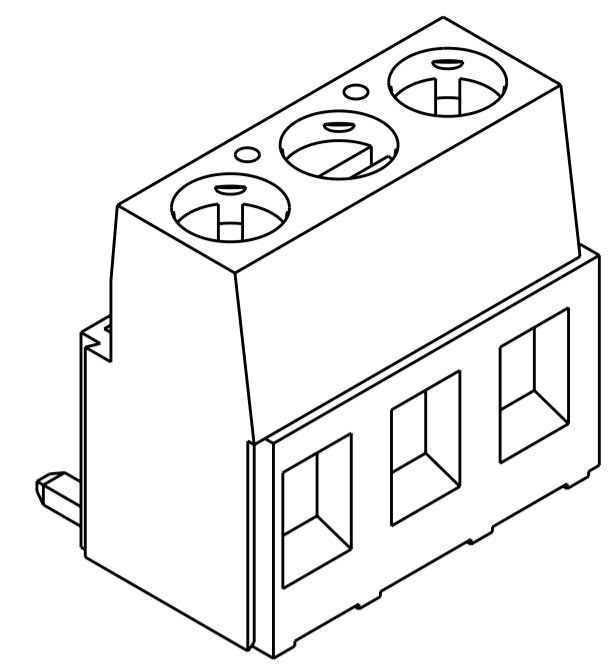
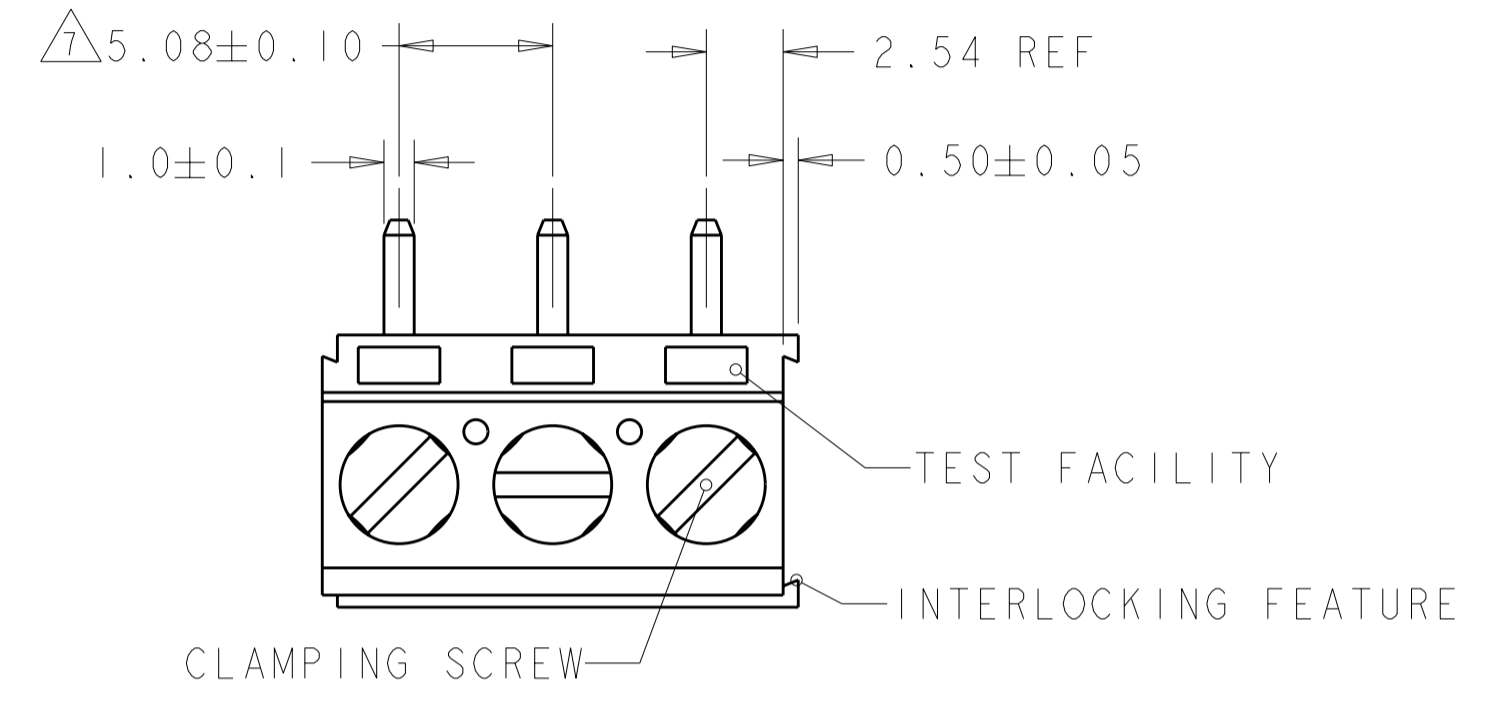


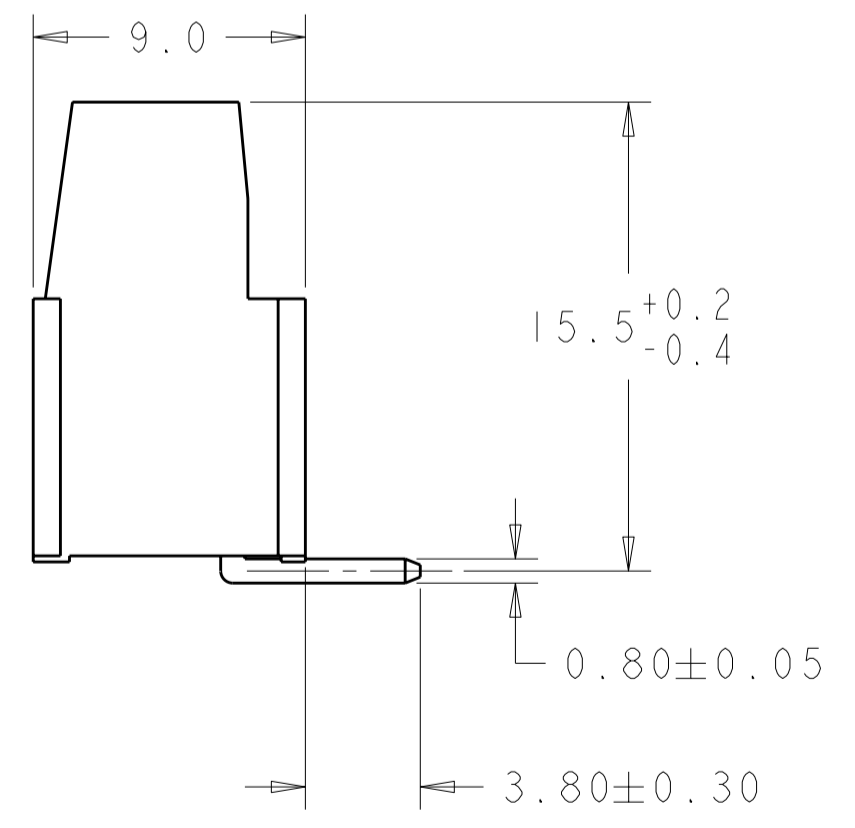
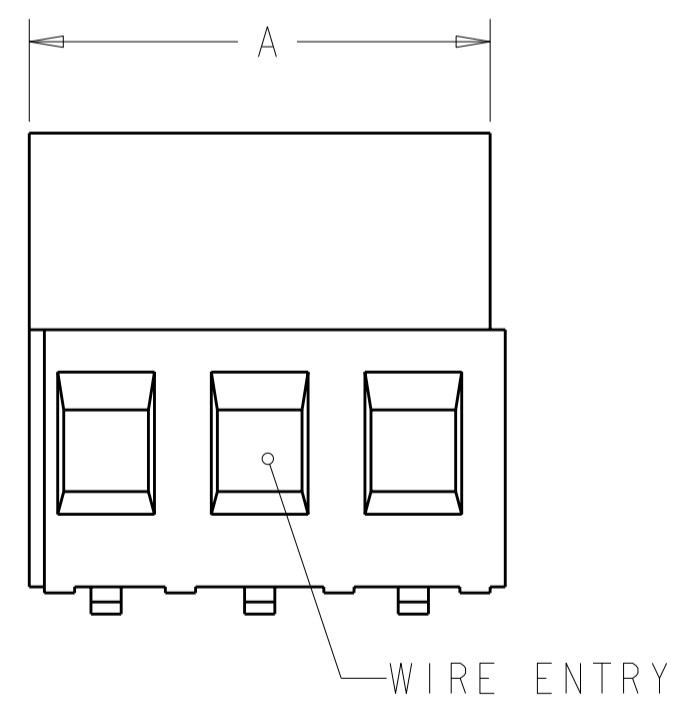
| LOC | DIST | REVISIONS | | | |
|-----|------|---------------------------|-----------|-----|------|
| P | LTR | DESCRIPTION | DATE | DWN | APVD |
| FT | 0 | | | | |
| | BI | REVISED PER ECO-11-004835 | 11MAR2011 | RK | HMR |



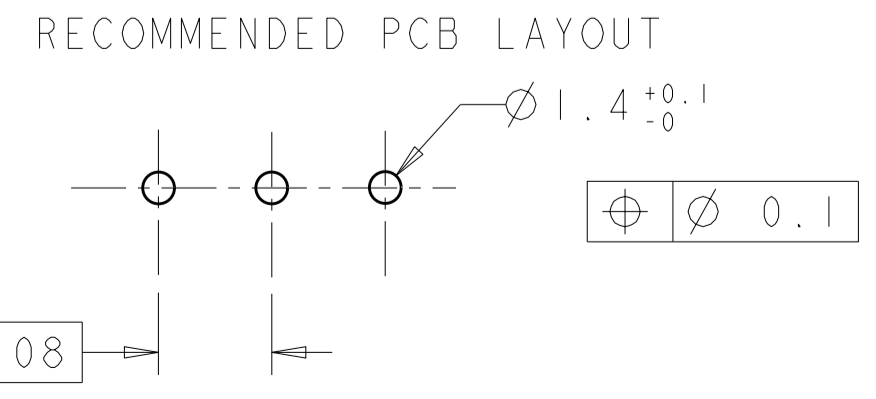
1547063-3 AS SHOWN



- 1 MATERIALS AND FINISH
 HOUSING: PA 6-6, UL 94-V0, COLOR BLACK.
 CLAMP: BRASS, NICKEL PLATED.
 TERMINAL: BRASS, TIN PLATED.
 CLAMPING SCREW: M3, BRASS, NICKEL PLATED.
- 2 SUITABLE FOR 1,6-2,4mm PC BOARD THICKNESS.
- 3 END-TO-END STACKABLE W/INTERLOCK WITHOUT LOSS OF CENTERLINE SPACING.
- 4 WIRE SIZE RANGE
 SOLID WIRE: 0,03-2,5mm² (13AWG).
 STRANDED WIRE: 0,03-1,5mm² (15AWG).
- 5 RECOGNIZED UNDER THE COMPONENT PROGRAM OF UNDERWRITERS LABORATORIES INC. FILE N° E60677.
- 6 IMQ CERTIFICATE WITH SURVEILLANCE IN CONFORMITY WITH IEC 998-1/998-2-1.
- 7 NOT CUMULATIVE TOLERANCE.



| | | |
|--------|------------|-------------|
| 127.00 | 25 | 2-1546073-5 |
| 121.92 | 24 | 2-1546073-4 |
| 116.84 | 23 | 2-1546073-3 |
| 111.76 | 22 | 2-1546073-2 |
| 106.68 | 21 | 2-1546073-1 |
| 101.60 | 20 | 2-1546073-0 |
| 96.52 | 19 | 1-1546073-9 |
| 91.44 | 18 | 1-1546073-8 |
| 86.36 | 17 | 1-1546073-7 |
| 81.28 | 16 | 1-1546073-6 |
| 76.20 | 15 | 1-1546073-5 |
| 71.12 | 14 | 1-1546073-4 |
| 66.04 | 13 | 1-1546073-3 |
| 60.96 | 12 | 1-1546073-2 |
| 55.88 | 11 | 1-1546073-1 |
| 50.80 | 10 | 1-1546073-0 |
| 45.72 | 9 | 1546073-9 |
| 40.64 | 8 | 1546073-8 |
| 35.56 | 7 | 1546073-7 |
| 30.48 | 6 | 1546073-6 |
| 25.40 | 5 | 1546073-5 |
| 20.32 | 4 | 1546073-4 |
| 15.24 | 3 | 1546073-3 |
| 10.16 | 2 | 1546073-2 |
| DIM A | No OF POS. | PART NUMBER |



THIS DRAWING IS A CONTROLLED DOCUMENT.

DWN: E. ZANOLINI 16AUG2001
 CHK: D. BIEVENOUR 16AUG2001
 APVD: D. BIEVENOUR 16AUG2001

PRODUCT SPEC: 108-20166
 APPLICATION SPEC: 114-20079

MATERIAL:

TE Connectivity
 NAME: TERMINAL BLOCK PCB MOUNT
 TOP ENTRY WIRE, STACKING
 W/INTERLOCK, 5.08mm PITCH

SIZE: A2 CAGE CODE: 00779 DRAWING NO: 1546073
 WEIGHT: -

CUSTOMER DRAWING SCALE: 4:1 SHEET 1 OF 1 REV: BI

X-ON Electronics

Largest Supplier of Electrical and Electronic Components

Click to view similar products for [Fixed Terminal Blocks](#) category:

Click to view products by [TE Connectivity](#) manufacturer:

Other Similar products are found below :

[00175550202](#) [MBE-1512](#) [MBE-1520](#) [MBE-154](#) [MBE-156](#) [MBES-1510](#) [MBES-153](#) [MBES-156](#) [MH-2512](#) [MHE-132](#) [MHE-133](#) [MHE-163](#)
[MI-254 \(35\)](#) [MI-272](#) [8739](#) [880507](#) [880508](#) [MPT-275](#) [1546551-6](#) [ELM023100](#) [ELM10110G](#) [ELVD12100](#) [BA311TU](#) [BA411SU](#) [MV-152](#)
[MV-253/NCNOC](#) [MV-254-D](#) [MV-255](#) [MV-462](#) [MV-472](#) [MV-493](#) [MVE-252](#) [MVE-253](#) [MVE-258](#) [MVE-273](#) [MVEB-153](#) [1700096](#)
[1702246](#) [1705142](#) [1712417](#) [1713020](#) [1713088](#) [1776118-2](#) [1790852](#) [1-796689-8](#) [1-796692-6](#) [1800001](#) [1800114](#) [1823215](#) [1838462](#)