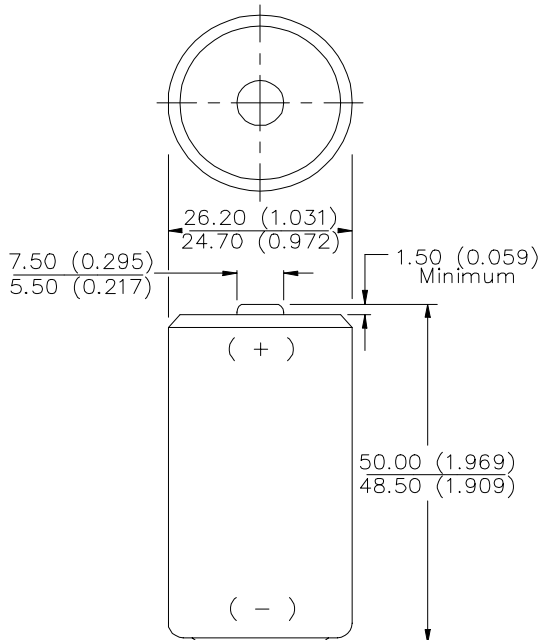


ENERGIZER NO. NH35

C



Industry Standard Dimensions in mm (inches)



Description: Rechargeable 1.2V
Chemical System: Nickel-Metal Hydride (NiMH)

Designation: ANSI-1.2H3
Battery Voltage: 1.2 Volts
Average Capacity: 2500 mAh (to 1.0 volts)
 (Based on 500 mA (0.2C) discharge rate)
Average Weight: 60.0 grams (2.1 oz.)
Volume: 26.9 cubic centimeters (1.6 cubic inch)
Jacket: Plastic Label

Internal Resistance

The internal resistance of the cell varies with state of charge, as follows:

Cell Charged	Cell 1/2 Discharged
11 milliohms	21 milliohms
(tolerance of ±20% applies to above values)	

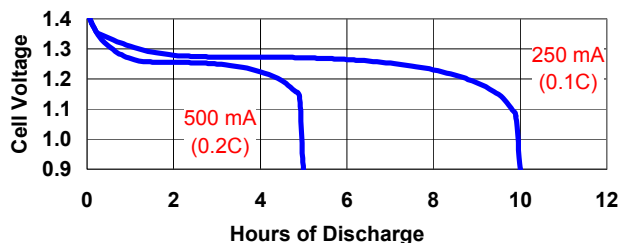
AC Impedance (No Load)

The impedance of the charged cell varies with frequency, as follows:

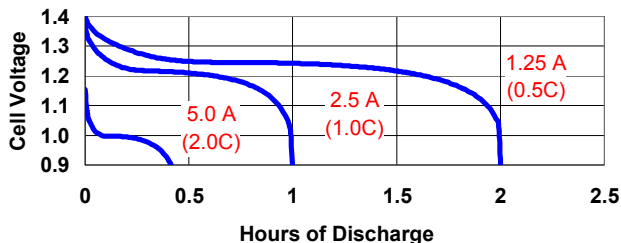
Frequency (Hz)	Impedance (milliohms) (Charged Cell)
1000	9

Note: Above values based on AC current set at 1.0 ampere. Value tolerances are ±20%

TYPICAL DISCHARGE CHARACTERISTICS
 Average Performance at 21°C (70°F)



TYPICAL DISCHARGE CHARACTERISTICS
 Average Performance at 21°C (70°F)



Operating and Storage Temperatures

Ranges of temperature applicable to operation of the NH35 cells are:

- Charge @ 0.1C:** 32°F to 122°F (0°C to 50°C)
- Discharge @ 0.1C:** -4°F to 122°F (-20°C to 50°C)
- Storage:** -40°F to 122°F (-40°C to 50°C)
 (6 Months Max.)
 -4°F to 95°F (-20°C to 35°C)
 (2 Years Max.)

Operating at extreme temperature will significantly affect service and cycle life.

Important Notice

This data sheet contains information specific to batteries manufactured at the time of its publication.

Contents herein do not constitute a warranty.

Copyright © Eveready Battery Co. Inc. - All Rights Reserved

X-ON Electronics

Largest Supplier of Electrical and Electronic Components

Click to view similar products for [energizer manufacturer](#):

Other Similar products are found below :

[1215F2X3](#) [LR43 186](#) [AC13](#) [AC675](#) [603298](#) [638006](#) [639830](#) [S9025](#) [7638900414660](#) [HARD CASE RECHARGEABLE](#) [HARD CASE PRO](#)
[MULTI USE](#) [HCHD311](#) [S9029](#) [639826](#) [603386](#) [HARD CASE PROFF 4AA](#) [HARDCASE PRO HEADLIGHT](#) [639618](#) [RCLINM2WR](#)
[S8865](#) [S8707](#) [S8100](#) [7638900424478](#) [7638900313130](#) [626177](#) [E300116200](#) [E300280600](#) [639838](#) [HARDCASE PRO WORK LIGHT](#)
[603305](#) [METAL LED 6AA](#) [S8864](#) [HDD32E](#) [MS2AALED](#) [ENERGIZER® 2-IN-1 LANTERN HANDHELD](#) [E300124200](#) [E300171700](#)
[ENFFL81E](#) [E300112600](#) [633474](#) [HDA32E](#) [7638900421422](#) [HARD CASE PRO PIVOT](#) [HCSP61E](#) [7638900424485](#) [HDC32E](#) [E300115800](#)
[AZ10DP-8](#) [7638900419580](#) [TUF2AAPE](#)