

Heavy Duty Low Cost Enclosures

Technical Specification

Deltron's entry level Heavy Duty Low Cost enclosure is ideal for robust applications where moisture or dust ingress protection is not critical to the performance of the electronics housed inside.

In line with our IP rated Heavy Duty enclosures these are supplied with DIN rail stand-offs, base plate mounting kits and internal earth points.

We also offer a full enclosure build service.

Full technical specification attached



Call us on:

Tel: +44 (0)1724 273200

Features:

- Supplied complete with lid, captive screws and earth screws
- PCB card guides and stand-offs
- DIN rail mounting points

Typical Applications:

- Industrial Controls
- Security
- Transportation

Standard Sizes Available:

125 x 125 x 80	220 x 120 x 80
125 x 125 x 90	220 x 120 x 90
130 x 80 x 60	260 x 160 x 90
160 x 160 x 90	260 x 160 x 120

Standard Finishes Available:

Plain
Powder Coated
Nylon Coated

DEM Manufacturing

Deltron Emcon House
Hargreaves Way, Sawcliffe Industrial Park
Scunthorpe, North Lincolnshire
DN15 8RF

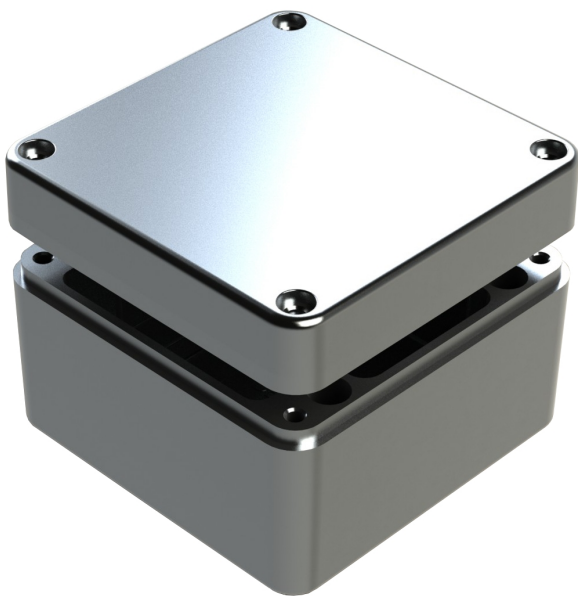


Tel: 44 (0) 1724 273200

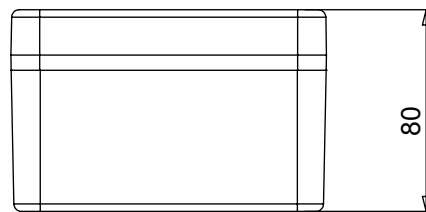
Fax: 44 (0) 1724 280353

Email: sales@dem-uk.com

Web: www.dem-uk.com/deltron-enclosures

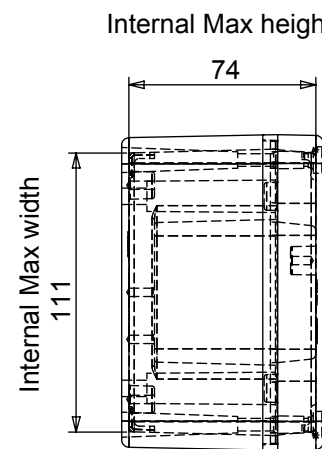
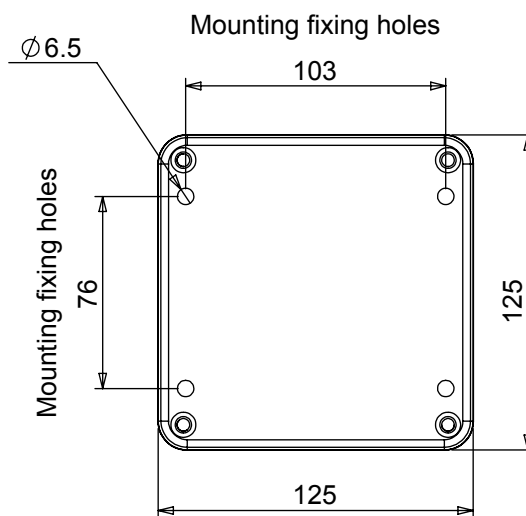
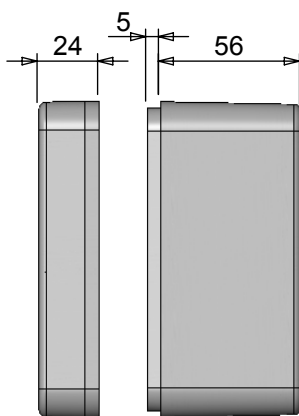


Length	Width	Height	Un-Painted	Pol
125	125	80	486-121208	48
Box Dimensions in mm			Colour Option - Colour suff	



Die cast aluminium enclosure

- Min enclosure wall
- Min enclosure lid t
- PCB maximum dim
- Enclosures can be
- Made in the UK



X-ON Electronics

Largest Supplier of Electrical and Electronic Components

Click to view similar products for [deltron](#) manufacturer:

Other Similar products are found below :

[610-0700](#) [651-0800](#) [342-0000](#) [W127G](#) [066541F](#) [066542D](#) [W205C](#) [W106C](#) [611-0700](#) [717-0400](#) [456-0020](#) [460-0070](#) [479-0020-5](#) [486-121209-66](#) [480-C010](#) [490-170805E-68](#) [459-0080](#) [459-0140](#) [590-0700](#) [MDU14S](#) [4MP2616](#) [461-0030](#) [461-0050](#) [571-0400-01](#) [480-C040](#) [462-0020E](#) [4DR3522](#) [487-261612E-66](#) [486-261609-68](#) [000-035-100](#) [466-0050](#) [356-0200](#) [702-0500](#) [711-0500](#) [552-0600](#) [WHT](#) [800-0400](#) [487-261609E-66](#) [487-221209E-68](#) [462-0040A](#) [461-0070](#) [456-0030](#) [461-0070E](#) [490-040503A-68](#) [486-S68-2616](#) [4ELM6](#) [483-0100](#) [483-0030](#) [480-0010](#) [466-0150](#) [456-0120](#)