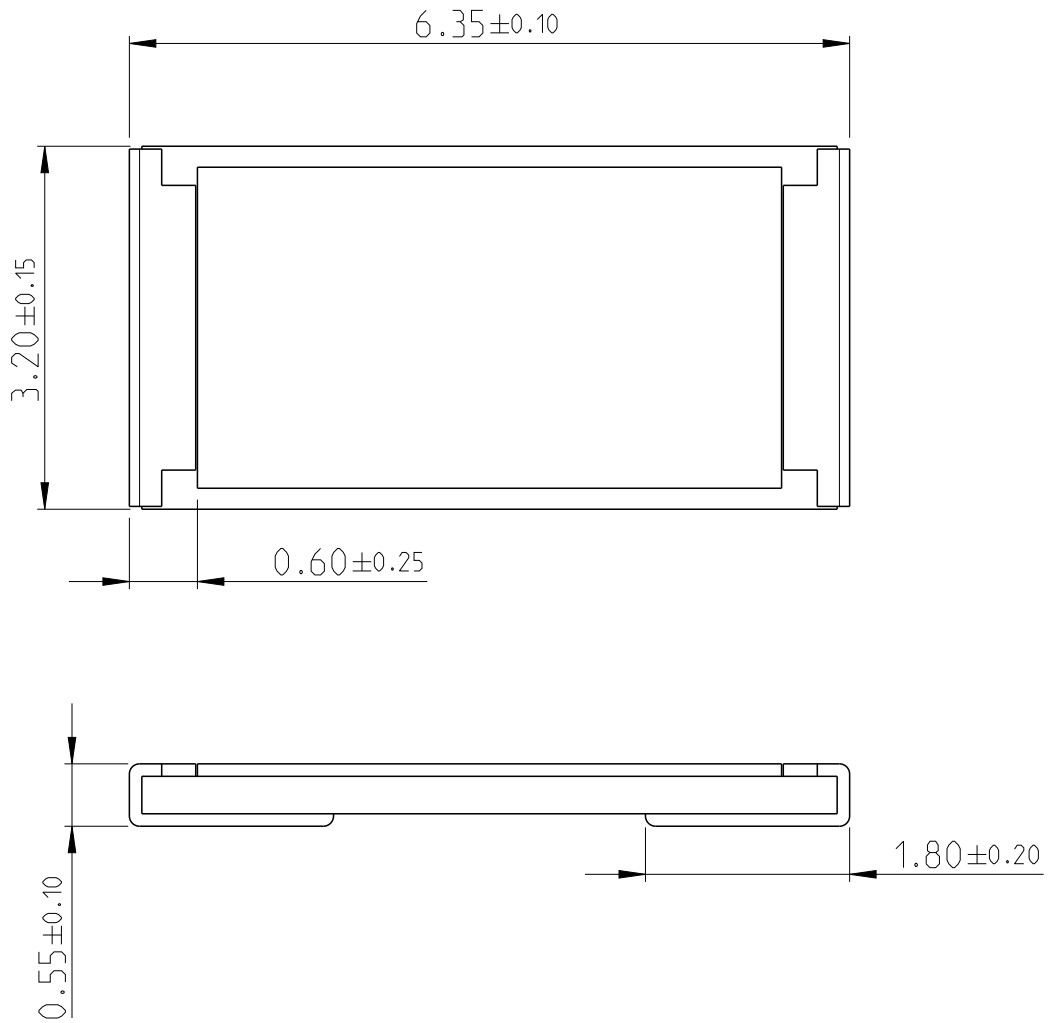
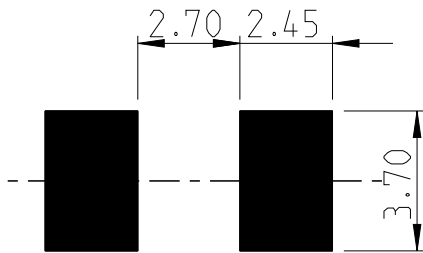


LOC	DIST	REVISIONS					
-	-	P	LTR	DESCRIPTION	DATE	DWN	APVD
		BB1	ECR-15-009468		23JUN2015	KR	TN

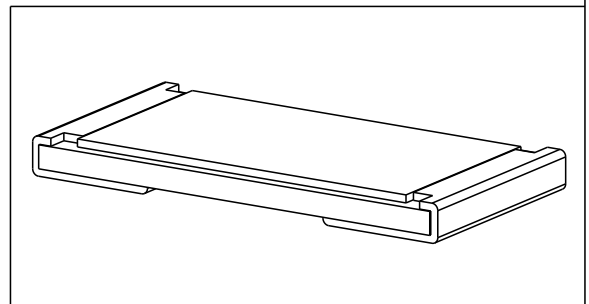


FOR FURTHER INFORMATION SEE DATA SHEET FOR 3521 SERIES


RoHS Compliant

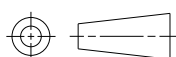


PDB LAYOUT PLAN



20
 RELEASED FOR PUBLICATION
 ALL RIGHTS RESERVED.
 BY -
 COPYRIGHT 20

DIMENSIONS: mm	DWN DARSHAN MS	15MAR2012	MATERIAL	-	FINISH	-	
	CHK ALLAN P	15MAR2012	 TE Connectivity				
TOLERANCES UNLESS OTHERWISE SPECIFIED:	APVD STEPHEN.P	15MAR2012					
	0 PLC ±	PRODUCT SPEC	NAME SMD POWER RESISTORS - TYPE 3521 SERIES				
1 PLC ±0.5	-	APPLICATION SPEC	SIZE	CAGE CODE	DRAWING NO	RESTRICTED TO	
2 PLC ±0.13	-	-	A 4	00779	C-2176070	-	
3 PLC ±0.013	WEIGHT	0.03806 Gram	SCALE		40:1	SHEET	1 OF 1
4 PLC ±0.0001	Customer Drawing					REV	BB1
ANGLES ±							



X-ON Electronics

Largest Supplier of Electrical and Electronic Components

Click to view similar products for [Thick Film Resistors - SMD category](#):

Click to view products by [TE Connectivity manufacturer](#):

Other Similar products are found below :

[CRCW04028R20JNEE](#) [CRCW06036K80FKEE](#) [CRG1206F1K58](#) [CRL0603-FW-R700ELF](#) [M55342K06B6E19RWL](#) [RC1005F1072CS](#)
[RC1005F471CS](#) [RC1005F4751CS](#) [RCP0603W100RGED](#) [ERJ-1GMF1R00C](#) [ERJ-1GMF1R20C](#) [ERJ-1GMF2R55C](#) [ERJ-1GMF8R66C](#)
[25121WF1003T4E](#) [25.501.3653.0](#) [290-1.0M-RC](#) [292-1.0M-RC](#) [292-2.2K-RC](#) [292-4.7K-RC](#) [25121WF4700T4E](#) [292-470K-RC](#) [302-1.0M-](#)
[RC](#) [CPG1206F10KC](#) [CRCW02011R00FXED](#) [CRCW060315K0FKEE](#) [CRCW060320K5FKEE](#) [CRG0201F10K](#) [RCP2512B100RGWB](#)
[RCWP12061K00FKS2](#) [3520510RJT](#) [352075KJT](#) [M55342K11B9E53RUL](#) [RMC16-102JT](#) [RMC1JPTE](#) [TR0603MR-075K1L](#) [5-2176094-4](#)
[35202K7JT](#) [WF06Q1000FTL](#) [ERJ-S14J4R7U](#) [CHP2512L4R30GNT](#) [WR12X1621FTL](#) [RCWP11001K00FKS3](#) [LRC-LRF3W-01-R050-](#)
[FTR1800](#) [9-2176088-6](#) [NRC06F1002TR20F](#) [CRCW02013M30FNED](#) [CRCW060343K0FKEE](#) [WR04X5360FTL](#) [RCA060345K3FKEA](#)
[LTR100JZPF33R0](#)