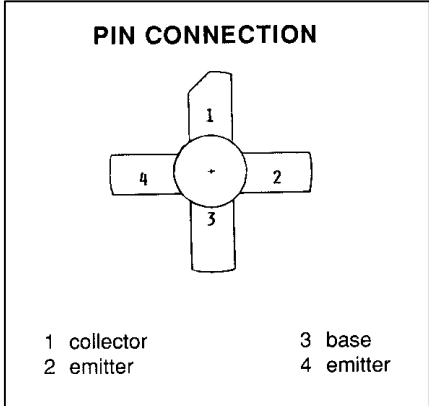
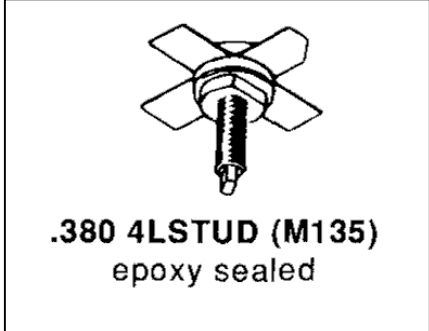


SD1224

**RF AND MICROWAVE TRANSISTORS**  
**VHF FM APPLICATIONS**

**Features**

- 175 MHz
- 28 VOLTS
- CLASS C
- COMMON EMITTER
- EFFICIENCY 60% MIN.
- P<sub>OUT</sub> = 40 W MIN.
- G<sub>P</sub> = 7.6 dB GAIN



**DESCRIPTION:**

The SD1224 is an epitaxial silicon NPN planar transistor designed primarily for 28 V FM Class C RF amplifiers utilized in ground station transmitters. This device utilizes ballasted emitter resistors and improved metallization systems to achieve optimum load mismatch capability.

**ABSOLUTE MAXIMUM RATINGS (T<sub>case</sub> = 25°C)**

Symbol	Parameter	Value	Unit
V <sub>CBO</sub>	Collector-Base Voltage	65	V
V <sub>CEO</sub>	Collector-Emitter Voltage	35	V
V <sub>EBO</sub>	Emitter-Base Voltage	4.0	V
I <sub>C</sub>	Device Current	5.0	A
P <sub>DISS</sub>	Power Dissipation	60	W
T <sub>J</sub>	Junction Temperature	+200	°C
T <sub>STG</sub>	Storage Temperature	-65 to +150	°C

**THERMAL DATA**

R <sub>TH(j-c)</sub>	Junction-Case Thermal Resistance	2.9	°C/W
----------------------	----------------------------------	-----	------

## ELECTRICAL SPECIFICATIONS (T<sub>case</sub> = 25°C)

### STATIC

Symbol	Test Conditions	Value			Units
		Min.	Typ.	Max.	
<b>BV<sub>CBO</sub></b>	<b>I<sub>C</sub> = 10 mA    I<sub>B</sub> = 0 mA</b>	<b>65</b>			<b>V</b>
<b>BV<sub>CES</sub></b>	<b>I<sub>C</sub> = 200 mA    V<sub>BE</sub> = 0 V</b>	<b>65</b>		—	<b>V</b>
<b>BV<sub>CEO</sub></b>	<b>I<sub>C</sub> = 200 mA    I<sub>B</sub> = 0 mA</b>	<b>35</b>			<b>V</b>
<b>BV<sub>EBO</sub></b>	<b>I<sub>E</sub> = 10 mA    I<sub>C</sub> = 0 mA</b>	<b>4.0</b>			<b>V</b>
<b>I<sub>CES</sub></b>	<b>V<sub>CE</sub> = 30 V    I<sub>E</sub> = 0 mA</b>			<b>10</b>	<b>mA</b>
<b>I<sub>CBO</sub></b>	<b>V<sub>CB</sub> = 30 V    I<sub>E</sub> = 0 mA</b>			<b>1</b>	<b>mA</b>
<b>h<sub>FE</sub></b>	<b>V<sub>CE</sub> = 5 V    I<sub>C</sub> = 500 mA</b>	<b>5</b>		<b>200</b>	—

### DYNAMIC

Symbol	Test Conditions	Value			Units
		Min.	Typ.	Max.	
<b>P<sub>OUT</sub></b>	<b>f = 175 MHz    P<sub>IN</sub> = 7.0 W    V<sub>CE</sub> = 28 V</b>	<b>40</b>			<b>W</b>
<b>G<sub>P</sub></b>	<b>f = 175 MHz    P<sub>IN</sub> = 7.0 W    V<sub>CE</sub> = 28 V</b>	<b>7.6</b>			<b>dB</b>
<b>η<sub>C</sub></b>	<b>f = 175 MHz    P<sub>IN</sub> = 7.0 W    V<sub>CE</sub> = 28 V</b>	<b>60</b>			<b>%</b>
<b>C<sub>OB</sub></b>	<b>f = 1 MHz    V<sub>CB</sub> = 30 V</b>			<b>65</b>	<b>pF</b>

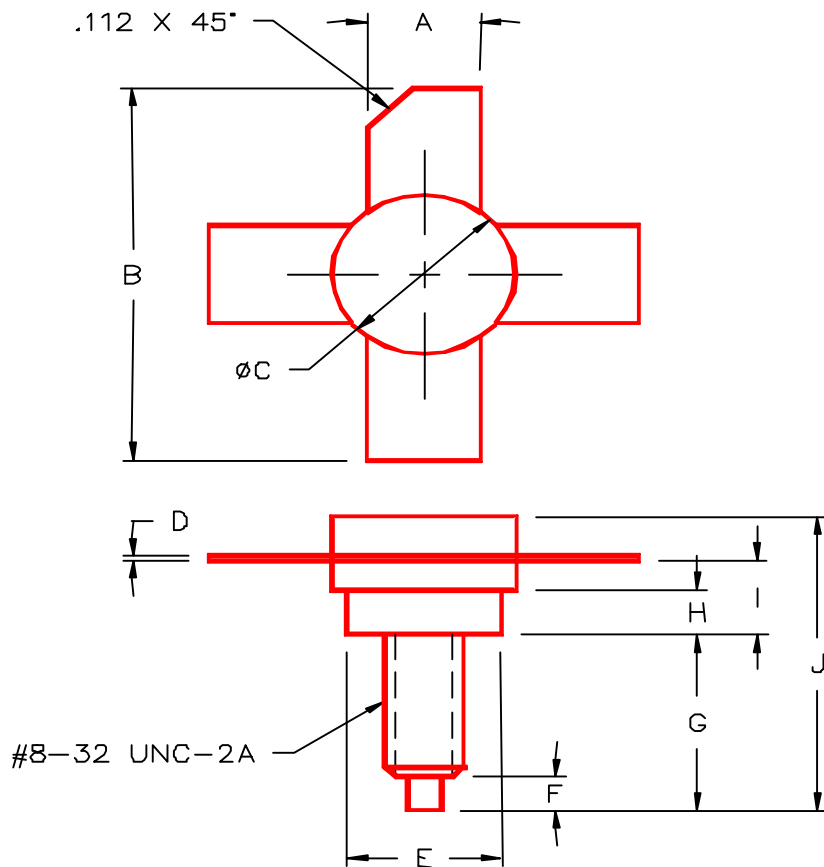
### IMPEDANCE DATA

P <sub>IN</sub> (W)	P <sub>OUT</sub> (W)	Z <sub>IN</sub> (Ω)	Z <sub>CL</sub> (Ω)
<b>2.0</b>	<b>28.5</b>	<b>0.85 + j 1.20</b>	<b>3.25 + j 7.05</b>
<b>4.0</b>	<b>43.0</b>	<b>1.02 + j 1.32</b>	<b>4.45 + j 5.40</b>
<b>6.0</b>	<b>53.0</b>	<b>1.01 + j 1.42</b>	<b>5.25 + j 4.42</b>
<b>8.0</b>	<b>60.5</b>	<b>1.05 + j 1.35</b>	<b>5.45 + j 4.12</b>

Test Conditions:    V<sub>CE</sub> = 28 V  
                               f = 175 MHz

**PACKAGE MECHANICAL DATA**

**PACKAGE STYLE M135**



	MINIMUM INCHES/MM	MAXIMUM INCHES/MM		MINIMUM INCHES/MM	MAXIMUM INCHES/MM
A	.220/5,59	.230/5,84	I	.155/3,94	.175/4,45
B	.980/24,89		J		.750/19,05
C	.370/9,40	.385/9,78			
D	.004/0,10	.007/0,18			
E	.320/8,13	.330/8,38			
F	.100/2,54	.130/3,30			
G	.450/11,43	.490/12,45			
H	.090/2,29	.100/2,54			

## X-ON Electronics

Largest Supplier of Electrical and Electronic Components

*Click to view similar products for [RF Bipolar Transistors](#) category:*

*Click to view products by [Microsemi](#) manufacturer:*

Other Similar products are found below :

[MAPRST0912-50](#) [MCH4016-TL-H](#) [MMBT5551-G](#) [PH3135-90S](#) [MRF10120](#) [MRF587](#) [15GN01CA-TB-E](#) [BFR 360L3 E6765](#) [PH1214-100EL](#) [PH1214-25M](#) [2SA1257-5-TB-E](#) [MAPRST0912-350](#) [MCH4014-TL-H](#) [MMBTH10-TP](#) [BFP 420F H6327](#) [BFP 620F H7764](#) [BFP 640F H6327](#) [BFP 720F H6327](#) [BFP 740F H6327](#) [BFR 340L3 E6327](#) [BFR 360F H6765](#) [BFR 740L3RH E6327](#) [PH2729-25M](#) [MRF10031](#) [NSVF4009SG4T1G](#) [DSC5G02D0L](#) [BFP 182R E7764](#) [BFP405H6740XTSA1](#) [MRF10350](#) [MRF321](#) [PH2729-65M](#) [MRF317](#) [ASMA201](#) [MCH4015-TL-H](#) [BF888H6327XTSA1](#) [MMBT2222A-G](#) [BFP196WH6327XTSA1](#) [BFP405FH6327XTSA1](#) [BFP640ESDH6327XTSA1](#) [BFR193L3E6327XTMA1](#) [BFU550WX](#) [BFU550XRR](#) [BFU580QX](#) [55GN01FA-TL-H](#) [NSVF4020SG4T1G](#) [NSVF6003SB6T1G](#) [MMBT5179](#) [MS1406](#) [STBV32-AP](#) [BFG520,215](#)