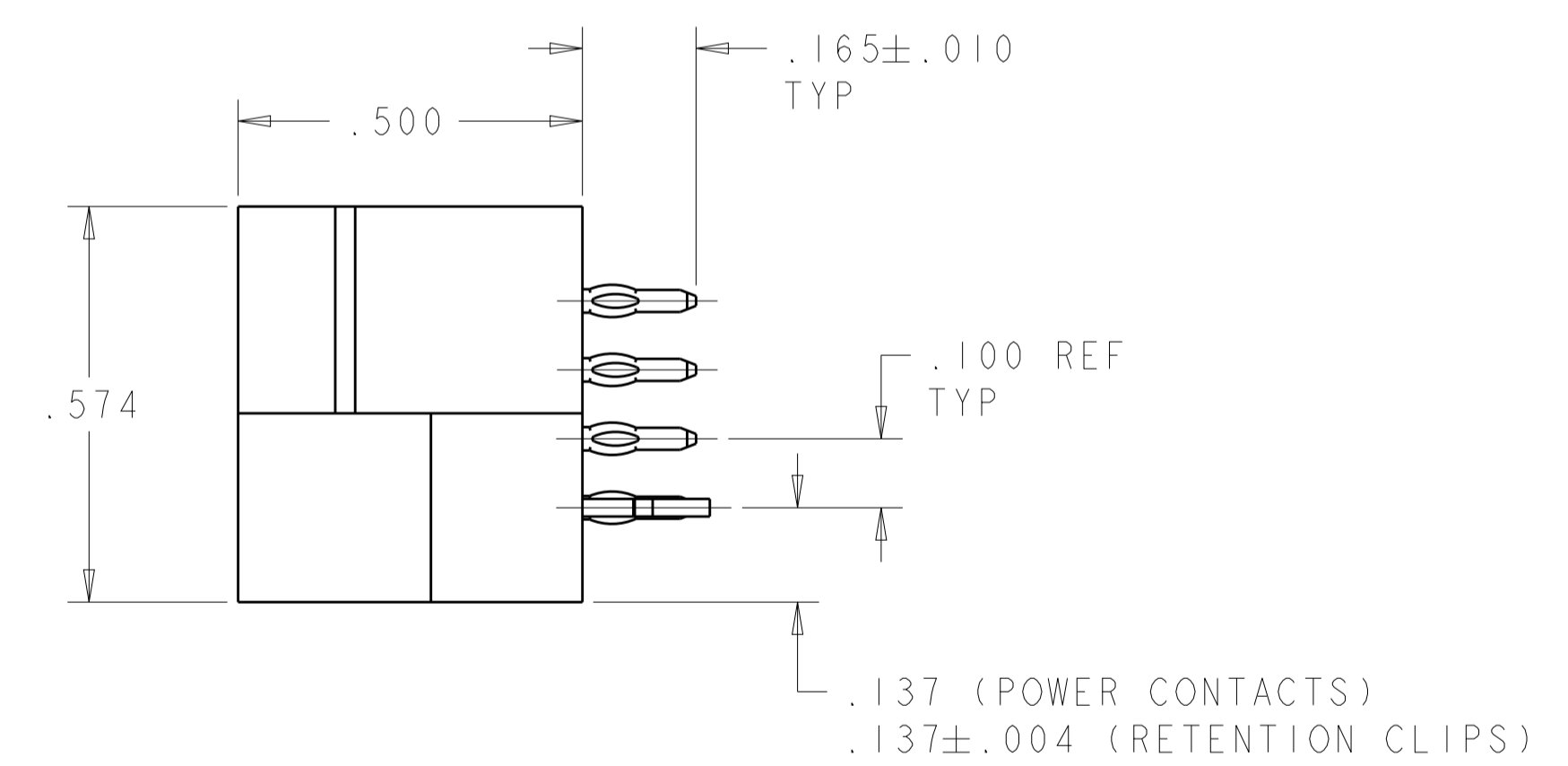
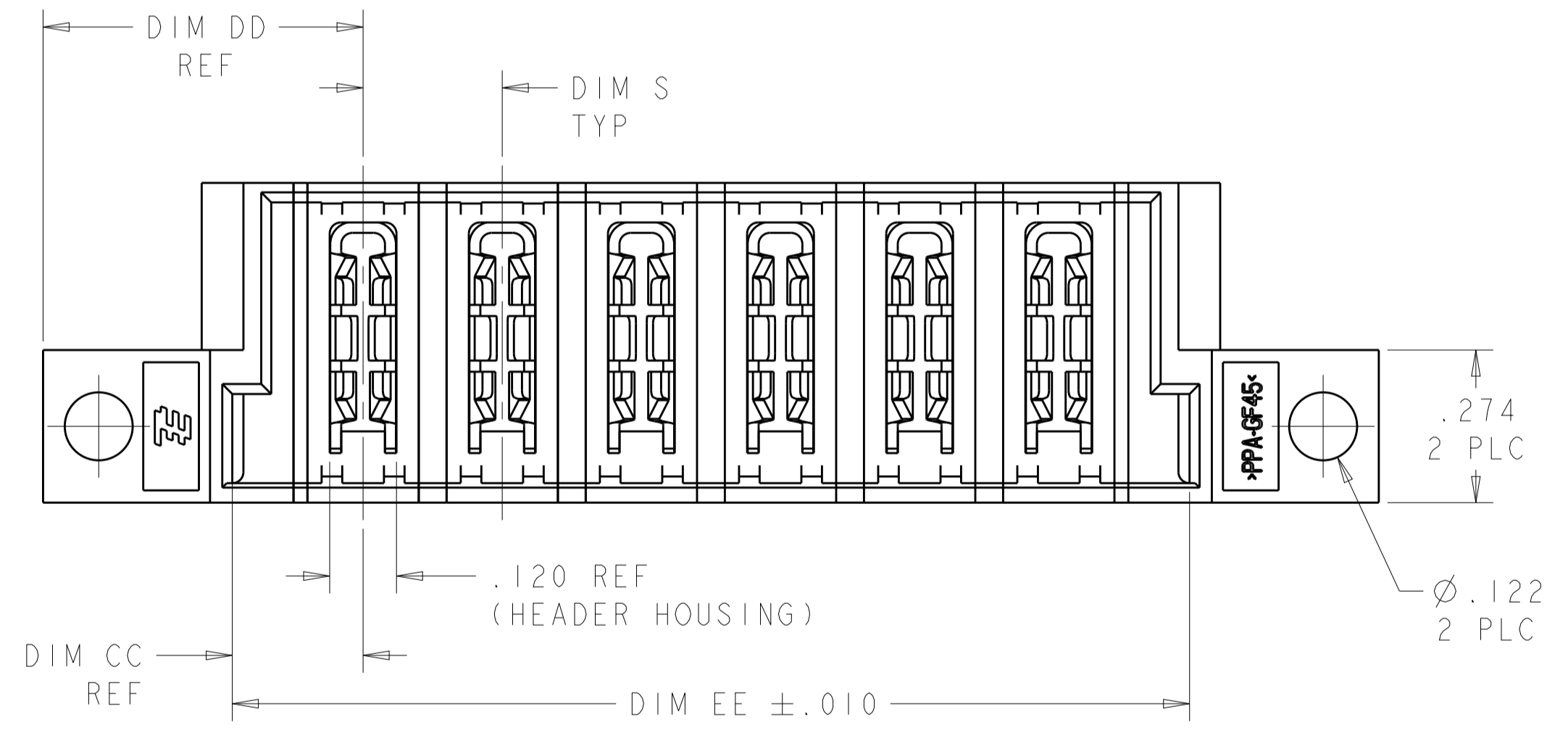
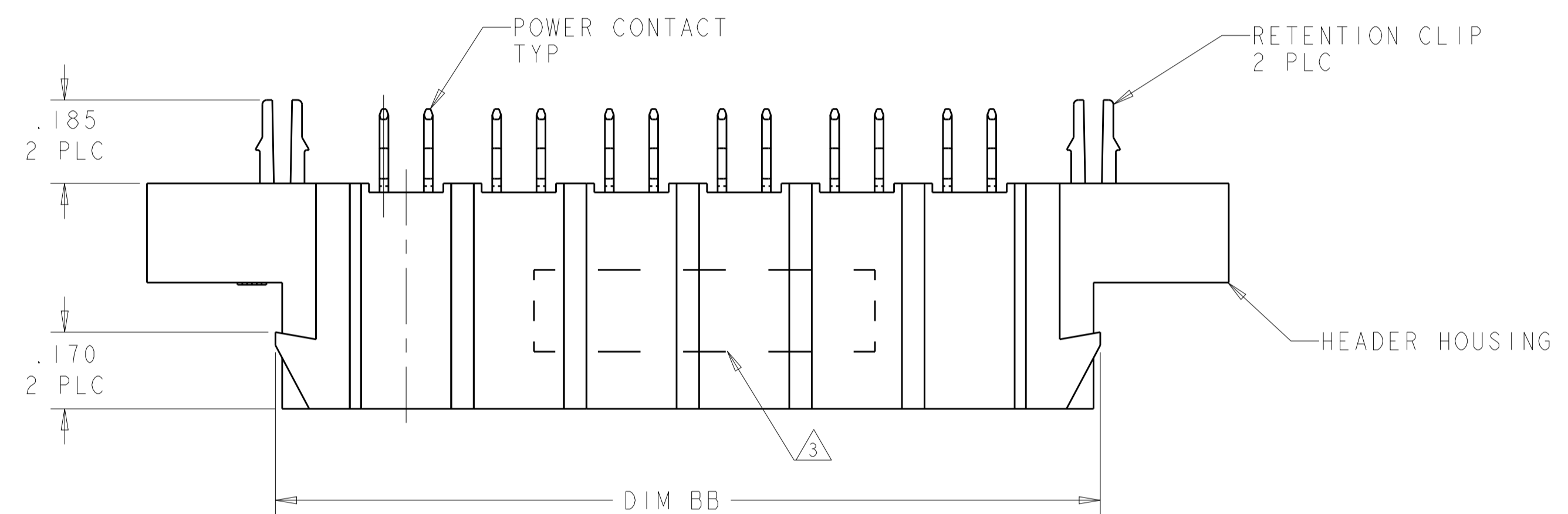
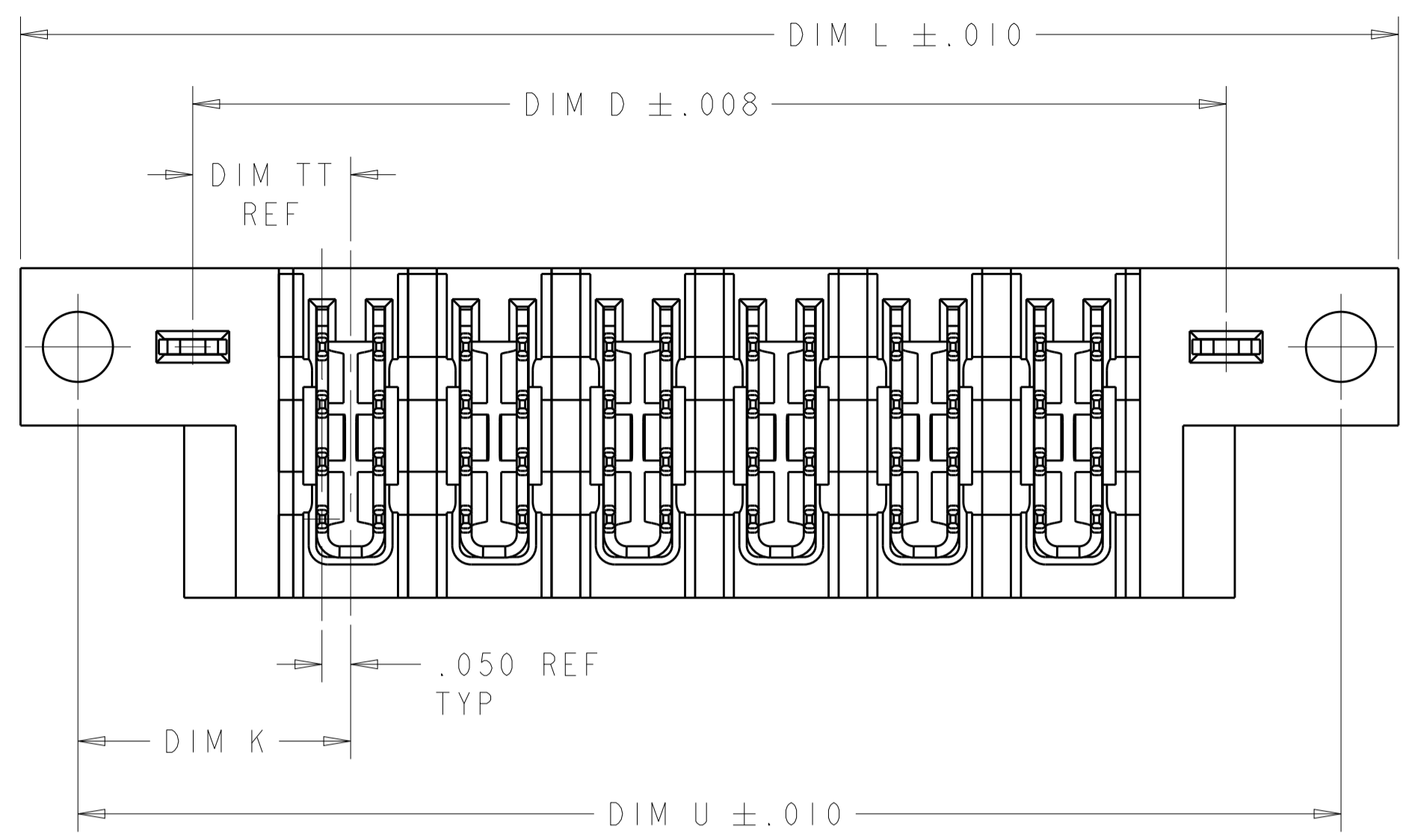


LOC	DIST	REVISIONS			
P	LTN	DESCRIPTION	DATE	DMN	APVD
ES	00				
A6		REV PER ECR-11-019151	08SEP2011	AY	SZ
A7		REV PER ECR-13-012441	30AUG2013	CZ	SZ
A8		REV PER ECR-14-002489	25FEB2014	OL	SZ
A9		ADDED NEW DASH NUMBER 1-2	30MAR2014	CZ	SZ




- ⚠️ HEADER HOUSING: THERMO PLASTIC, BLACK, UL94 V-0; CONTACTS AND RETENTION CLIPS: COPPER ALLOY.
- ⚠️ CONTACT PLATING: NOBLE METAL PLATING ON CONTACT FUNCTIONAL AREA OF POWER AND SIGNAL CONTACTS
RETENTION CLIP: .000115 MIN TIN.
- ⚠️ "AMP", PART NUMBER AND DATE CODE MARKED IN THIS AREA. PARTS UNDER 2.50 LONG MAY BE MARKED ON BOTH SIDES.
- ⚠️ DATUM AND BASIC DIMENSIONS ESTABLISHED BY CUSTOMER.
- ⚠️ PCB - ALL HOLE DIAMETERS ARE FINISHED HOLE SIZES.
- 6. A SEATING TOOL IS REQUIRED TO SEAT THE HEADER ON THE P.C. BOARD. PLEASE REFER TO THE 114-13038 APPLICATION SPEC.
- ⚠️ CUSTOMER SUPPLIES (2) #4-UNC SCREWS, HARDWARE TO BE USED TO MOUNT HEADER ASSEMBLY TO PC BOARD.
- ⚠️ MECHANICAL CONNECTOR KEEP OUT ZONE.
- ⚠️ DETAIL DIM SEE PART VIEW

THIS DRAWING IS A CONTROLLED DOCUMENT.		DMN D. RINGLER 25MAR06	TE Connectivity
DIMENSIONS: INCHES		CHK M. PERCHERKE 25MAR06	
TOLERANCES UNLESS OTHERWISE SPECIFIED:		APVD M. PERCHERKE 25MAR06	NAME VERICAL HEADER ASSEMBLY, W/LATCH RECEIVERS, PRESS FIT, TYPE P, MULTI-BEAM XL
0 PLC ±	1 PLC ±	PRODUCT SPEC 108-1973	SIZE A1
2 PLC ±	3 PLC ±.005	APPLICATION SPEC 114-13038	CAGE CODE 6600393
4 PLC ±	ANGLES ±	WEIGHT	RESTRICTED TO
MATERIAL	FINISH	CUSTOMER DRAWING	SCALE 2:1 SHEET 1 OF 5 REV A9

THIS DRAWING IS UNPUBLISHED. RELEASED FOR PUBLICATION 20
 © COPYRIGHT 20 BY - ALL RIGHTS RESERVED.

LOC		DIST		REVISIONS			
ES	00	P	LTN	DESCRIPTION	DATE	DNM	APVD
		-		SEE SHEET 1		-	-

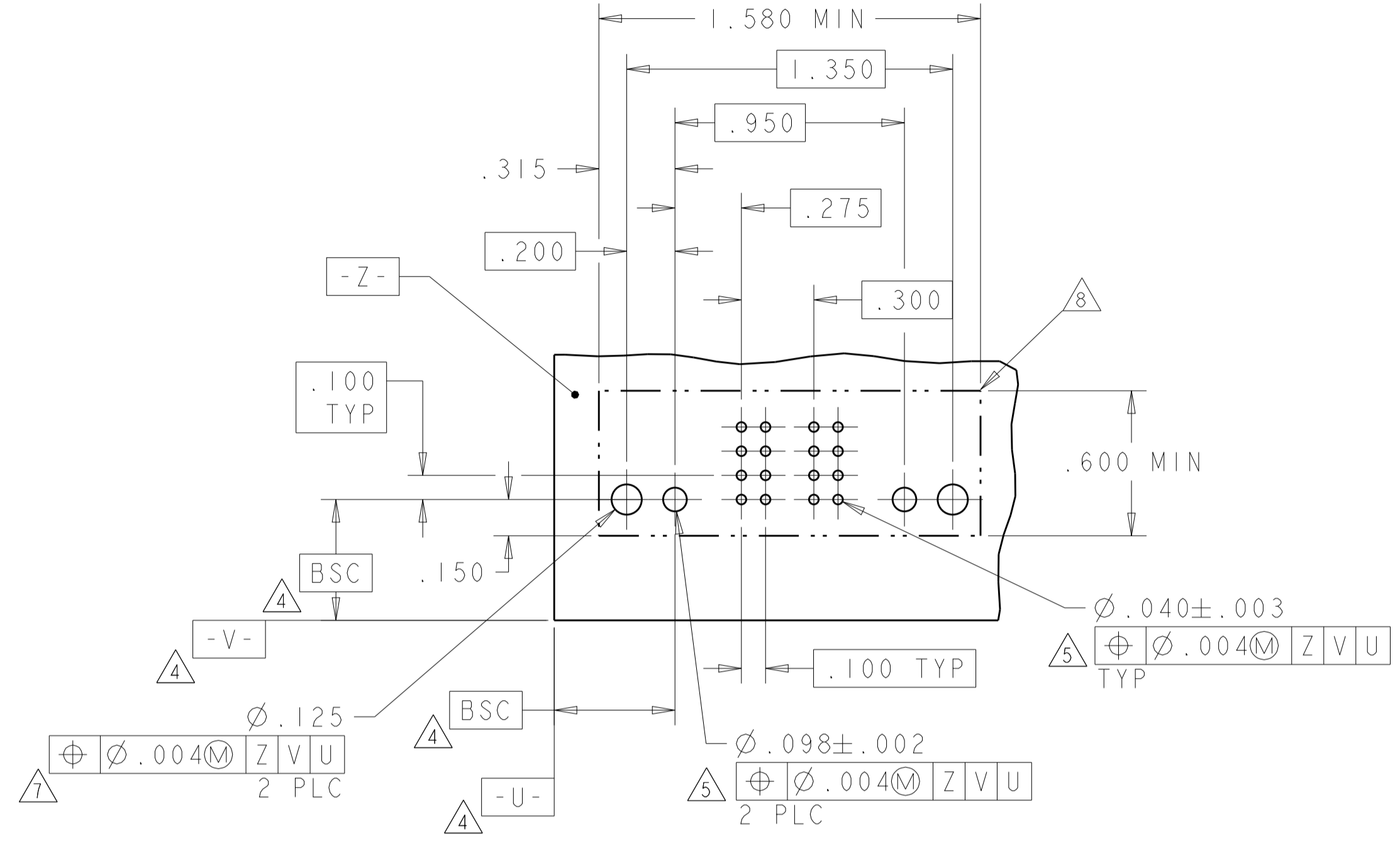
PKG INFO.	DIM "EE"	DIM "DD"	DIM "CC"	DIM "BB"	DIM "TT"	DIM "U"	DIM "S"	DIM "L"	DIM "K"	DIM "D"	RETENTION CLIP	DESCRIPTION	PART NUMBER
TRAY	1.220	.575	.235	1.330	.275	1.700	.250	1.900	.475	1.300	YES	4P	1-6600393-2
/	1.520	.575	.235	1.630	.275	2.000	.350	2.200	.475	1.600	YES	4P	1-6600393-0
TRAY	1.220	Δ	.235	Δ	-	-	.250	Δ	-	-	NO	4P	6600393-9
TRAY	1.470	.575	.235	1.580	.275	1.950	.200	2.150	.475	1.550	YES	6HDP	6600393-8
TRAY	2.070	.625	.285	2.180	.325	2.550	.300	2.750	.525	2.150	YES	6ACP	6600393-7
TAPE&REEL	.870	.625	.285	.980	.325	1.350	.300	1.550	.525	.950	YES	2ACP	6600393-5
TRAY	1.720	.575	.235	1.830	.275	2.200	.250	2.400	.475	1.800	YES	6P	6600393-3
TRAY	.970	.575	.235	1.080	.275	1.450	.250	1.650	.475	1.050	YES	3P	6600393-2
TRAY	.870	.625	.285	.980	.325	1.350	.300	1.550	.525	.950	YES	2ACP	6600393-1

THIS DRAWING IS A CONTROLLED DOCUMENT.		OWN D. RINGLER 25MAR06	 TE Connectivity
DIMENSIONS: INCHES		CHK M. PERCHERKE 25MAR06	
TOLERANCES UNLESS OTHERWISE SPECIFIED:		APVD M. PERCHERKE 25MAR06	NAME VERICAL HEADER ASSEMBLY, W/LATCH RECEIVERS, PRESS FIT, TYPE P, MULTI-BEAM XL
0 PLC ±. 1 PLC ±. 2 PLC ±. 3 PLC ±.005 4 PLC ±. ANGLES ±. FINISH		PRODUCT SPEC 108-1973 APPLICATION SPEC 114-13038 WEIGHT	SIZE A100779 CAGE CODE C=6600393 DRAWING NO 6600393
MATERIAL		CUSTOMER DRAWING	RESTRICTED TO
4805 (3/11)		SCALE 2:1	SHEET 2 OF 5 REV A9

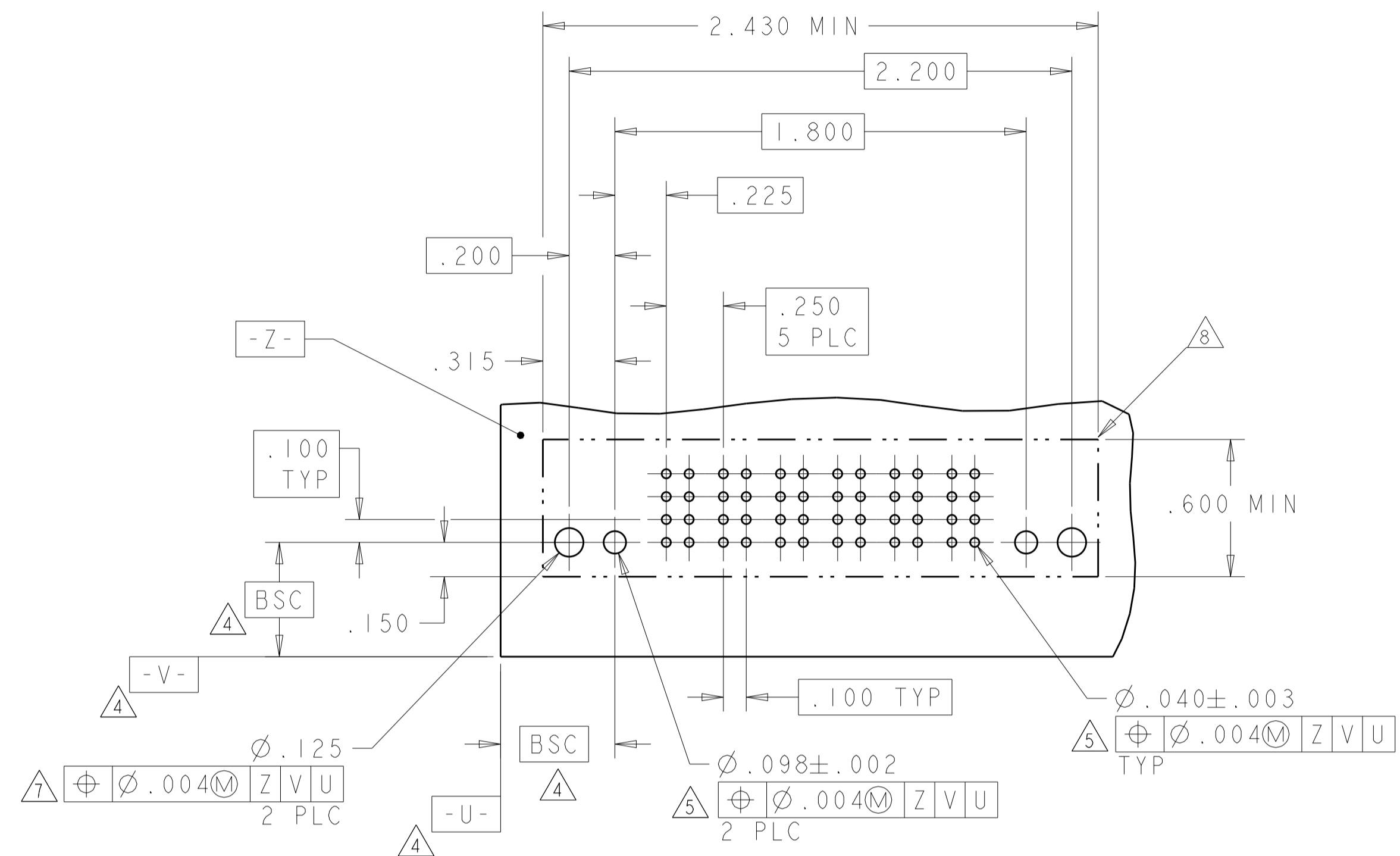
PART NUMBER	ROWS	POWER	
		P1	P2
6600393-1	D	VM	VM
	C		
	B		
2ACP	HD		HD

PART NUMBER	ROWS	POWER	
		P1	P2
6600393-5	D	VM	VM
	C		
	B		
2ACP	HD		HD

PART NUMBER	ROWS	POWER					
		P1	P2	P3	P4	P5	P6
6600393-3	D	VM	VM	VM	VM	VM	VM
	C						
	B						
	A						
6P	HD						HD

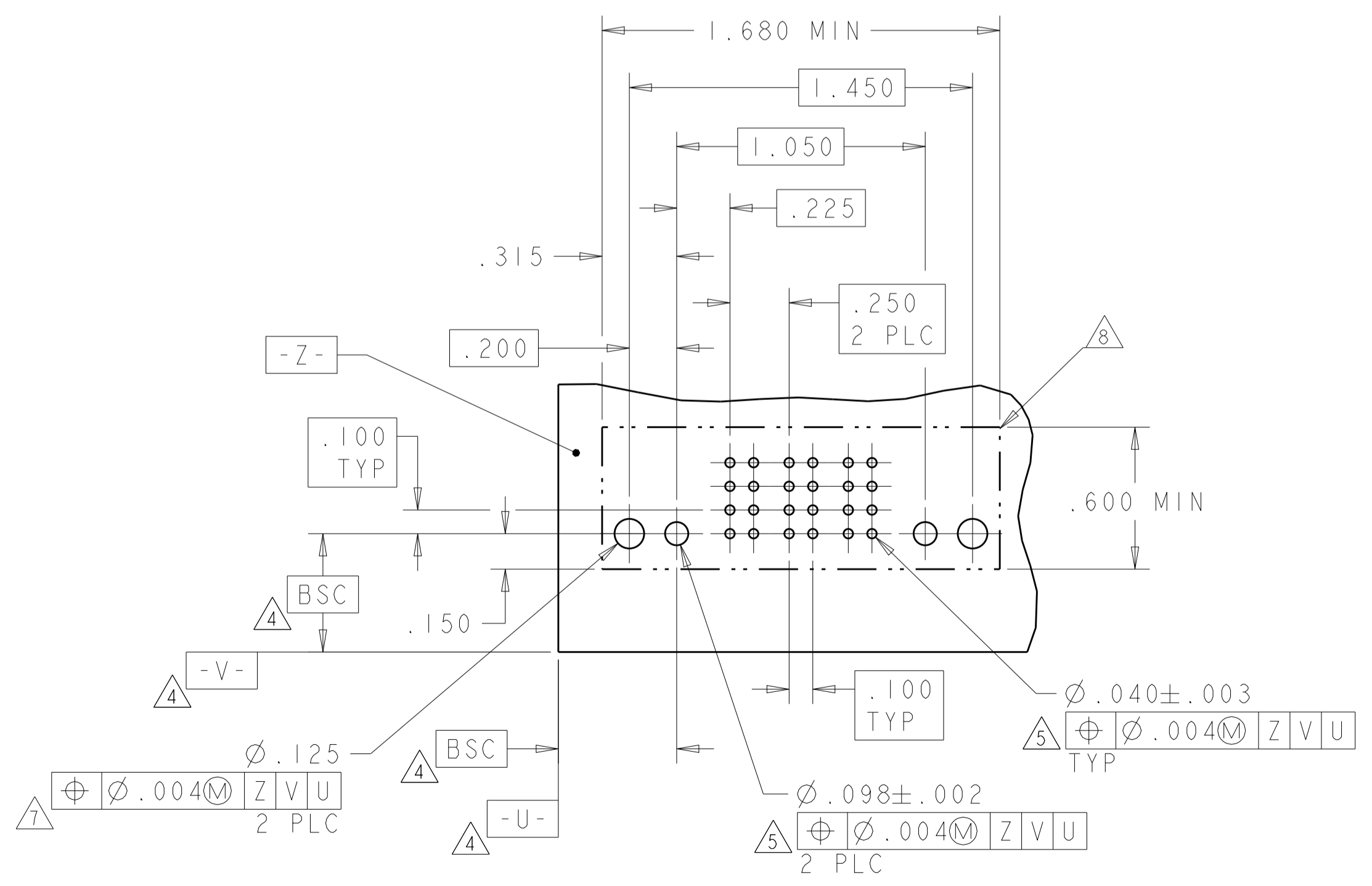


RECOMMENDED PCB LAYOUT 6600393-1/-5
 SCALE 2:1



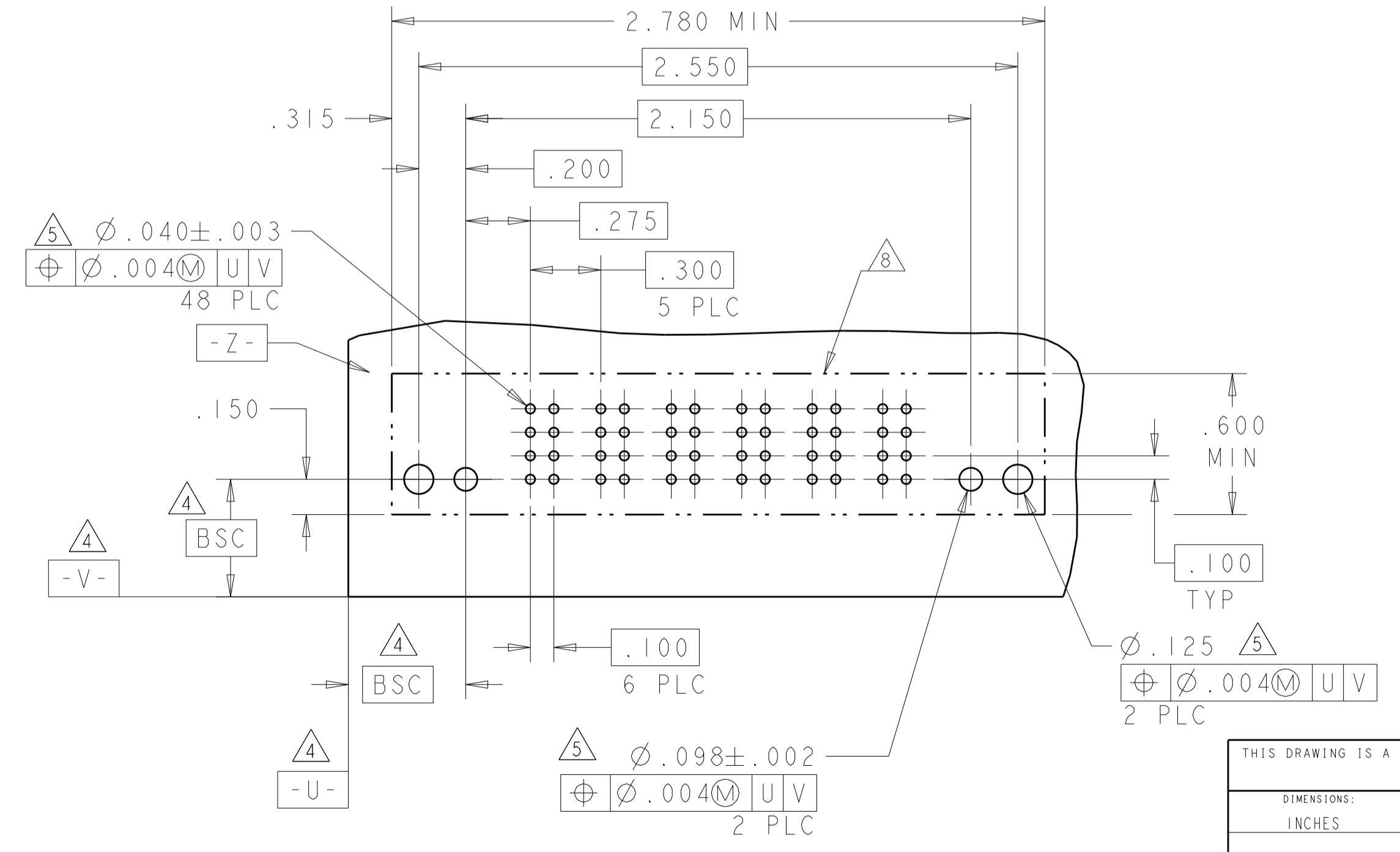
RECOMMENDED PCB LAYOUT 6600393-3
 SCALE 2:1

PART NUMBER	ROWS	POWER		
		P1	P2	P3
6600393-2	D	VM	VM	VM
	C			
	B			
3P	HD			HD



RECOMMENDED PCB LAYOUT 6600393-2
 SCALE 2:1

PART NUMBER	ROWS	POWER					
		P1	P2	P3	P4	P5	P6
6600393-7	D	VM	VM	VM	VM	VM	VM
	C						
	B						
	A						
6ACP	HD						HD



RECOMMENDED PCB LAYOUT 6600393-7

MATING SEQUENCE	DESCRIPTION	IDENTIFIER
-	RETENTION CLIP	HD
-	POWER CONTACT	VM

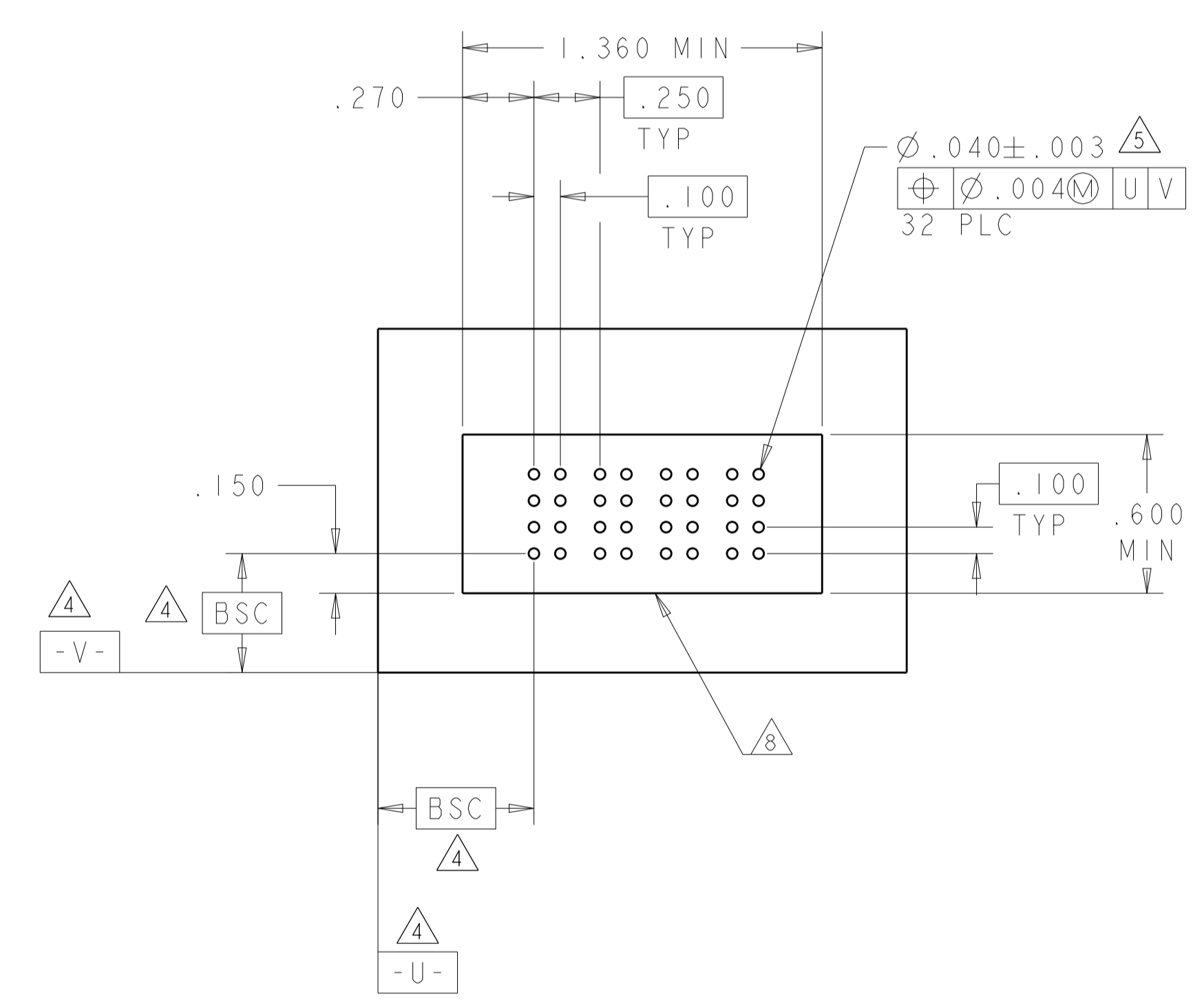
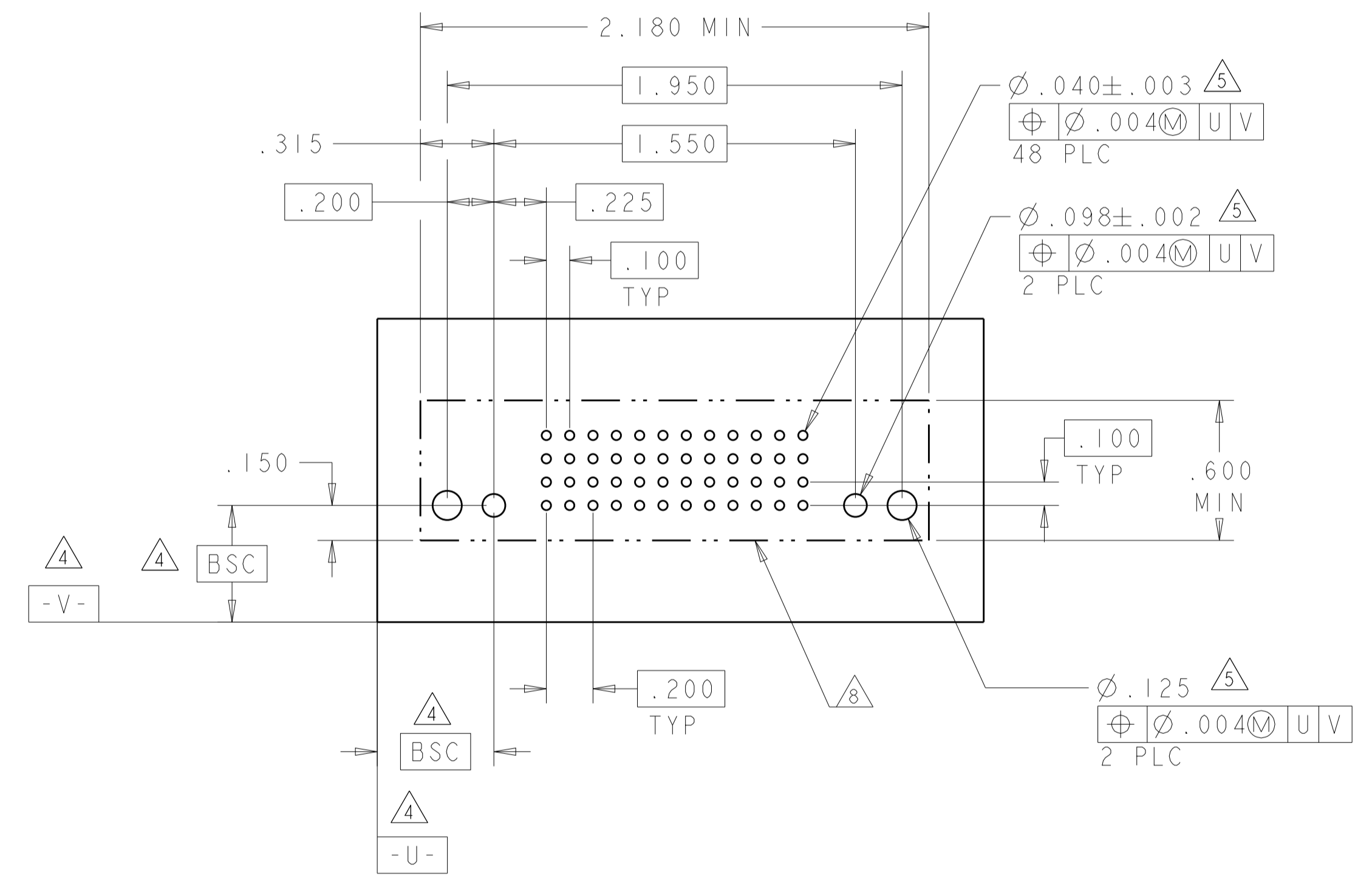
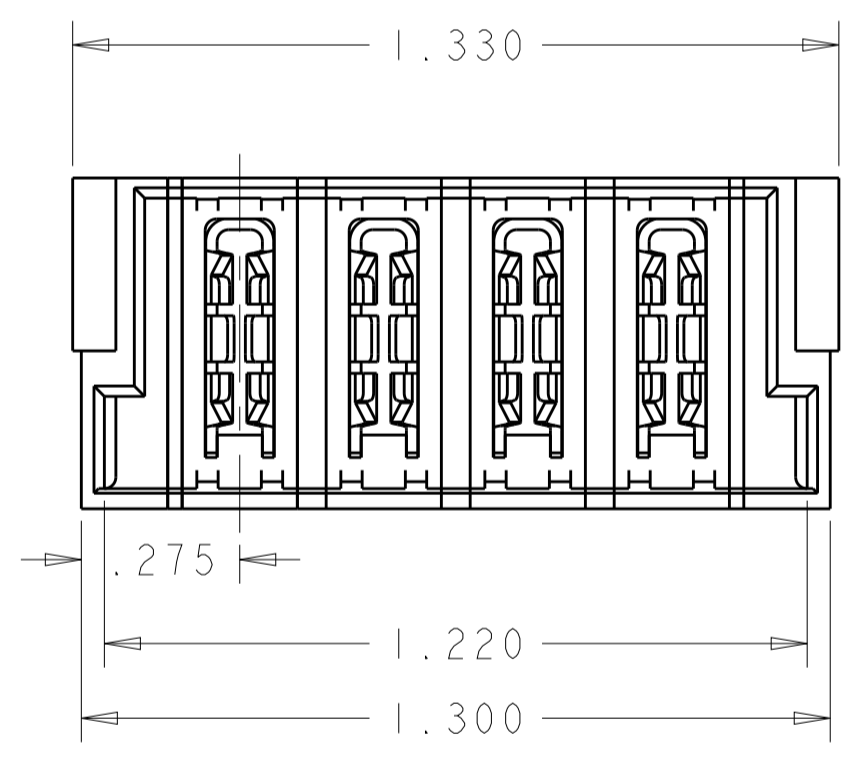
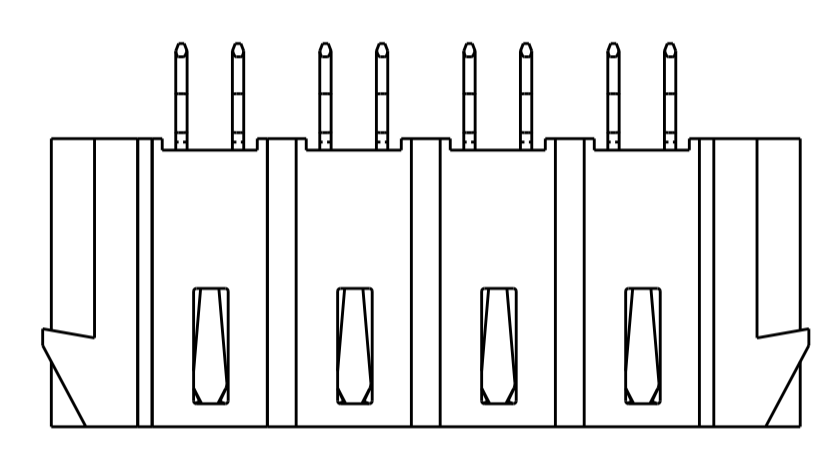
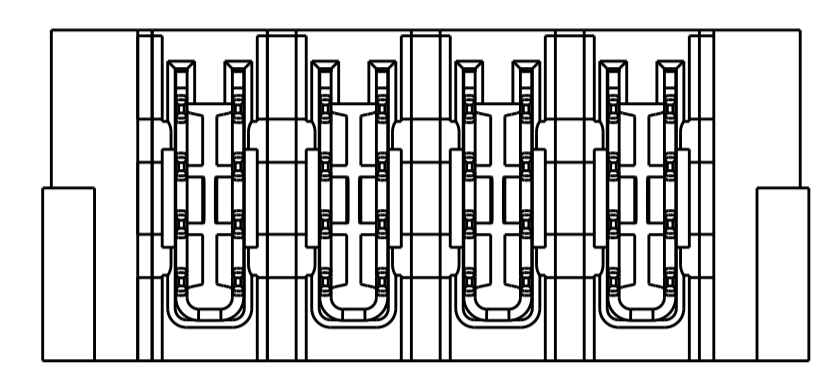
THIS DRAWING IS A CONTROLLED DOCUMENT.

DIMENSIONS:	TOLERANCES UNLESS OTHERWISE SPECIFIED:	DWN D. RINGLER 25MAR06	TE Connectivity
INCHES	0 PLC ± 1 PLC ± 2 PLC ± 3 PLC ± 4 PLC ± 5 PLC ± ANGLES ±	CHK M. PERCHERKE 25MAR06	
MATERIAL:	FINISH:	APVD M. PERCHERKE 25MAR06	NAME
		PRODUCT SPEC	VERICAL HEADER ASSEMBLY, W/LATCH
		APPLICATION SPEC	RECEIVERS, PRESS FIT, TYPE P,
		114-13038	MULTI-BEAM XL
		WEIGHT	SIZE CAGE CODE DRAWING NO
			A100779C=6600393
		CUSTOMER DRAWING	RESTRICTED TO
		SCALE 2:1	SHEET 3 OF 5
			REV A9

LOC	DIST	REVISIONS					
		P	LTN	DESCRIPTION	DATE	DMN	APVD
ES	00	-	-	SEE SHEET 1	-	-	-

PART NUMBER	ROWS	POWER					
		P1	P2	P3	P4	P5	P6
6600393-8	D						
	C	VM	VM	VM	VM	VM	VM
	B						
	A						
6HDP		HD					HD

PART NUMBER	ROWS	POWER			
		P1	P2	P3	P4
6600393-9	D				
	C	VM	VM	VM	VM
	B				
	A				
4P					



THIS DRAWING IS A CONTROLLED DOCUMENT.

DIMENSIONS:	TOLERANCES UNLESS OTHERWISE SPECIFIED:	OWN	D. RINGLER	25MAR06
INCHES	0 PLC ±	CHK	M. PERCHERKE	25MAR06
	1 PLC ±	APVD	M. PERCHERKE	25MAR06
	2 PLC ±	NAME	VERICAL HEADER ASSEMBLY, W/LATCH	
	3 PLC ±.005	PRODUCT SPEC	RECEIVERS, PRESS FIT, TYPE P,	
	4 PLC ±	APPLICATION SPEC	MULTI-BEAM XL	
	ANGLES ±	SIZE	CAGE CODE	DRAWING NO
MATERIAL	FINISH	WEIGHT	A100779C=6600393	
			CUSTOMER DRAWING	SCALE 2:1 SHEET 4 OF 5 REV A9

RESTRICTED TO

X-ON Electronics

Largest Supplier of Electrical and Electronic Components

Click to view similar products for [Power to the Board](#) category:

Click to view products by [TE Connectivity](#) manufacturer:

Other Similar products are found below :

[10131318-08512GRLF](#) [6450171-4](#) [6450552-7](#) [6600323-8](#) [6643429-1](#) [6646040-2](#) [6651939-1](#) [6766604-1](#) [120959-1](#) [1393557-2](#) [1393532-2](#)
[1393532-3](#) [1393532-4](#) [1393557-1](#) [1600812-5](#) [1-6450861-2](#) [1645595-1](#) [1743490-1](#) [1744132-7](#) [1761122-1](#) [1766169-1](#) [1766250-1](#) [18362](#)
[1892109-1](#) [1-967627-6](#) [2226808-1](#) [2-6450860-5](#) [2-6450860-6](#) [2-6450870-0](#) [93003-0502](#) [953552-1](#) [1-6450161-4](#) [1-6450850-6](#) [1645526-2](#) [1-](#)
[6600130-0](#) [1743419-1](#) [1766150-1](#) [2005243-2](#) [211110-1](#) [2-6600130-2](#) [TE34-12-16P-F0](#) [5-6450830-6](#) [5646956-4](#) [36662-0005](#) [40585-3000](#) [4-](#)
[6450830-9](#) [4-6600333-3](#) [51142-0214](#) [10134048-911LF](#) [10123159-301LF](#)