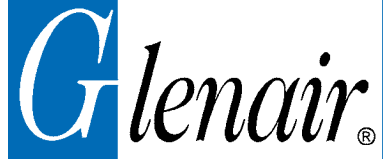


620-042 Composite Strain-Relief Clamp with Self-Locking Rotatable Coupling Straight, 45° & 90°



| CONNECTOR DESIGNATOR: | |
|---------------------------|---|
| A | MIL-DTL-5015, -26482 Series II, and -83723 Series I and III |
| F | MIL-DTL-38999 Series I, II |
| L | MIL-DTL-38999 Series 1.5 (JN1003) |
| H | MIL-DTL-38999 Series III and IV |
| G | MIL-DTL-28840 |
| U | DG123 and DG123A |
| SELF-LOCKING | |
| ROTATABLE COUPLING | |
| STANDARD PROFILE | |

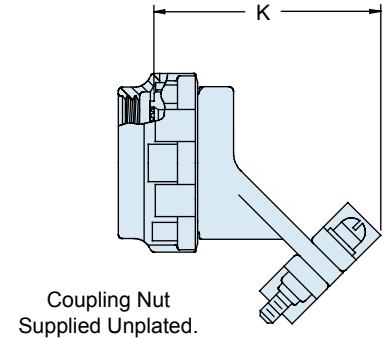
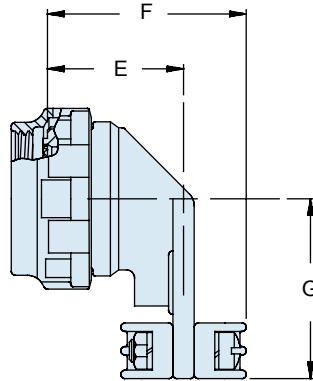
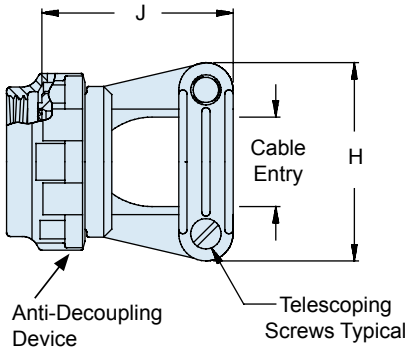
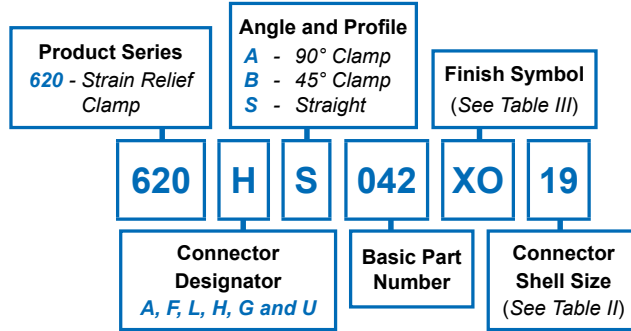


TABLE II: CONNECTOR SHELL SIZE ORDER NUMBER

| Shell Size For Connector Designator* | | | | | E | F | G | H | J | K | Cable Entry** | |
|--------------------------------------|-----|----|----|----|-------------|-------------|-------------|-------------|-------------|-------------|---------------|--------|
| A | F/L | H | G | U | (Ref) | ±.06 (1.5) | ±.0 (1.5) | ±.06 (1.5) | ±.06 (1.5) | Max | ±.03 | 0.8 |
| 08 | 08 | 09 | - | - | .63 (16.0) | .86 (21.8) | .88 (22.4) | .88 (22.4) | .80 (20.3) | 1.32 (33.5) | .22 | (5.6) |
| 10 | 10 | 11 | - | 08 | .65 (16.5) | .91 (23.1) | .94 (23.9) | .94 (23.9) | .88 (22.4) | 1.35 (34.3) | .26 | (6.6) |
| 12 | 12 | 13 | 11 | 10 | .71 (18.0) | 1.02 (25.9) | 1.03 (26.2) | 1.17 (29.7) | 1.00 (25.4) | 1.43 (36.3) | .34 | (8.6) |
| 14 | 14 | 15 | 13 | 12 | .76 (19.3) | 1.13 (28.7) | 1.13 (28.7) | 1.28 (32.5) | 1.00 (25.4) | 1.48 (37.6) | .46 | (11.7) |
| 16 | 16 | 17 | 15 | 14 | .80 (20.3) | 1.26 (32.0) | 1.31 (33.3) | 1.41 (35.8) | 1.13 (28.7) | 1.58 (40.1) | .55 | (14.0) |
| 18 | 18 | 19 | 17 | 16 | .83 (21.1) | 1.31 (33.3) | 1.38 (35.1) | 1.50 (38.1) | 1.19 (30.2) | 1.70 (43.2) | .62 | (15.7) |
| 20 | 20 | 21 | 19 | 18 | .90 (22.9) | 1.37 (34.8) | 1.50 (38.1) | 1.56 (39.6) | 1.25 (31.8) | 1.74 (44.2) | .70 | (17.8) |
| 22 | 22 | 23 | - | 20 | .94 (23.9) | 1.45 (36.8) | 1.63 (41.4) | 1.69 (42.9) | 1.38 (35.1) | 1.79 (45.5) | .78 | (19.8) |
| 24 | 24 | 25 | 23 | 22 | .97 (24.6) | 1.52 (38.6) | 1.75 (44.5) | 1.82 (46.2) | 1.50 (38.1) | 1.83 (46.5) | .85 | (21.6) |
| 28 | - | - | 25 | 24 | 1.02 (25.9) | 1.68 (42.7) | 1.79 (45.5) | 1.94 (49.3) | 1.75 (44.5) | 2.13 (54.1) | .95 | (24.1) |

TABLE III: FINISH

| Symbol | Finish Description |
|--------|---|
| XM | 2000 Hour Corrosion Resistant Electroless Nickel |
| XO | No Plating |
| XMT | 2000 Hour Corrosion Resistant Ni-PTFE, Nickel-Fluorocarbon Polymer. 1000 Hour Grey™ |
| XW | 2000 Hour Corrosion Resistant Cadmium/Olive Drab over Electroless Nickel |

X-ON Electronics

Largest Supplier of Electrical and Electronic Components

Click to view similar products for [Circular MIL Spec Strain Reliefs & Adapters](#) category:

Click to view products by [Glenair](#) manufacturer:

Other Similar products are found below :

[896227-000](#) [899170S004](#) [6000-063-0022](#) [613751-000](#) [CS6624-000](#) [620AB038Z136](#) [620AS001Z108](#) [620AS038Z112](#) [620AS038Z120](#)
[620AS038Z132](#) [620FB038NF08](#) [620HA038NF13](#) [620HA038NF25](#) [620HA042XM13](#) [620HB049NF17](#) [620HS011NF21](#) [620HS038NF11](#)
[620HS038Z121](#) [620HS042XM19](#) [620HS042XM25](#) [620HS042XW13](#) [620HS048B17](#) [620MS064NF09](#) [620MS064NF12](#) [620MS065M12](#)
[620MS065Z107](#) [620MS065ZNU06](#) [630J041M06H](#) [630J041M20H](#) [637S010NF0212H](#) [640830-000](#) [659943-000](#) [66241-10A](#) [CW0597-000](#)
[CW0598-000](#) [CW0948-000](#) [CY0122-000](#) [M85049/41-6A W/B](#) [M85049/42-12DS](#) [M85049/47N8](#) [M85049/47W18](#) [M85049/51-1-14S](#)
[M85049/51-1-8W](#) [M85049/51S16S](#) [M85049/60-1N16](#) [M85049/60-2G12W](#) [M85049/69-11N](#) [CZ3661-000](#) [D02922-000](#) [70.360.1628.0](#)