

620-002
Strain Relief
Stainless Steel - Rotatable Coupling - 90°

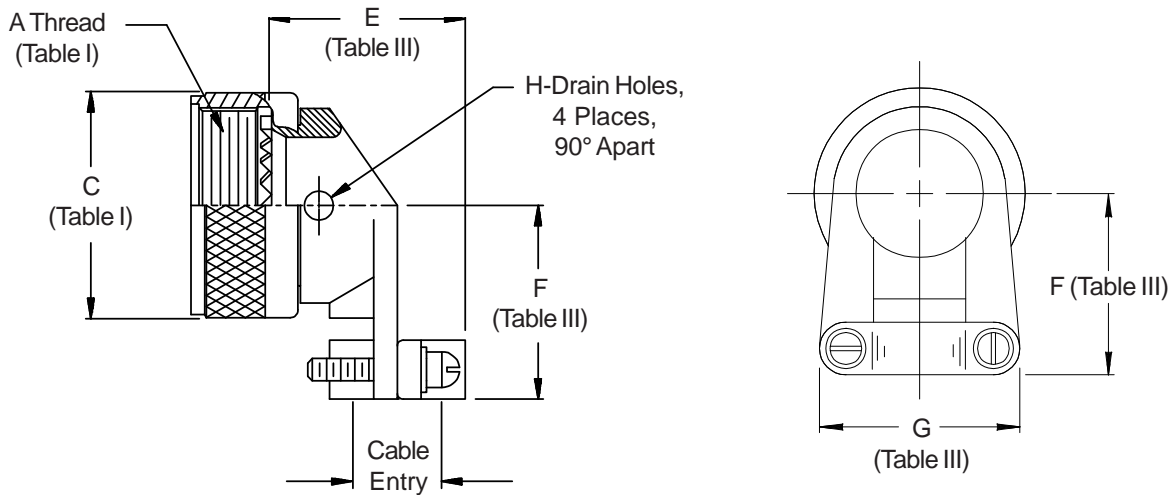
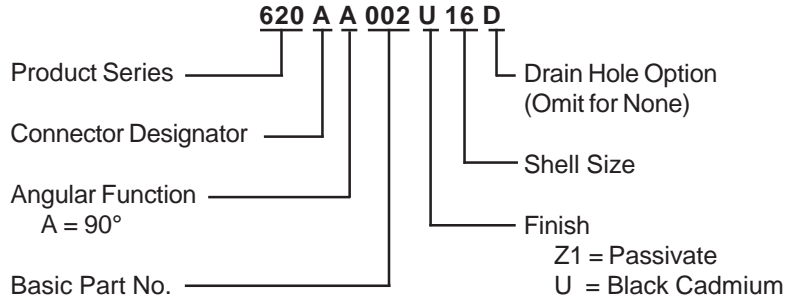


STAINLESS STEEL

CONNECTOR DESIGNATOR

A

ROTATABLE COUPLING



See inside back cover fold-out or page 14 for Table I.

TABLE III: CABLE ENTRY

Shell Size	E Max	F Max	G Max	H Max	Cable Entry	
					Closed	Open
08	.704 (17.9)	.808 (20.5)	.752 (19.1)	.125 (3.2)	.125 (3.2)	.204 (5.2)
10	.786 (20.0)	.867 (22.0)	.832 (21.1)	.125 (3.2)	.187 (4.7)	.286 (7.3)
12	.979 (24.9)	.929 (23.6)	.988 (25.1)	.188 (4.8)	.291 (7.4)	.416 (10.6)
14	1.039 (26.4)	.992 (25.2)	1.046 (26.6)	.188 (4.8)	.351 (8.9)	.476 (12.1)
16	1.188 (30.2)	1.056 (26.8)	1.319 (33.5)	.188 (4.8)	.501 (12.7)	.626 (15.9)
18	1.300 (33.0)	1.233 (31.3)	1.451 (36.9)	.188 (4.8)	.518 (13.2)	.706 (17.9)
20	1.425 (36.2)	1.296 (32.9)	1.551 (39.4)	.188 (4.8)	.581 (14.8)	.831 (21.1)
22	1.550 (39.4)	1.358 (34.5)	1.653 (42.0)	.188 (4.8)	.644 (16.4)	.956 (24.3)
24	1.675 (42.5)	1.420 (36.1)	1.775 (45.1)	.188 (4.8)	.706 (17.9)	1.081 (27.5)
28	1.813 (46.1)	1.634 (41.5)	2.020 (51.3)	.188 (4.8)	.750 (19.1)	1.187 (30.1)

1. Cable Entry is defined as the accommodation entry for the wire bundle or cable. Dimensions are not intended for inspection criteria.
2. Metric dimensions (mm) are indicated in parentheses.

X-ON Electronics

Largest Supplier of Electrical and Electronic Components

Click to view similar products for [Circular MIL Spec Strain Reliefs & Adapters](#) category:

Click to view products by [Glenair](#) manufacturer:

Other Similar products are found below :

[896227-000](#) [899170S004](#) [6000-063-0022](#) [613751-000](#) [CS6624-000](#) [620AB038Z136](#) [620AS001Z108](#) [620AS038Z112](#) [620AS038Z120](#)
[620AS038Z132](#) [620FB038NF08](#) [620HA038NF13](#) [620HA038NF25](#) [620HA042XM13](#) [620HB049NF17](#) [620HS011NF21](#) [620HS038NF11](#)
[620HS038Z121](#) [620HS042XM19](#) [620HS042XM25](#) [620HS042XW13](#) [620HS048B17](#) [620MS064NF09](#) [620MS064NF12](#) [620MS065M12](#)
[620MS065Z107](#) [620MS065ZNU06](#) [630J041M06H](#) [630J041M20H](#) [637S010NF0212H](#) [640830-000](#) [659943-000](#) [66241-10A](#) [CW0597-000](#)
[CW0598-000](#) [CW0948-000](#) [CY0122-000](#) [M85049/41-6A W/B](#) [M85049/42-12DS](#) [M85049/47N8](#) [M85049/47W18](#) [M85049/51-1-14S](#)
[M85049/51-1-8W](#) [M85049/51S16S](#) [M85049/60-1N16](#) [M85049/60-2G12W](#) [M85049/69-11N](#) [CZ3661-000](#) [D02922-000](#) [70.360.1628.0](#)