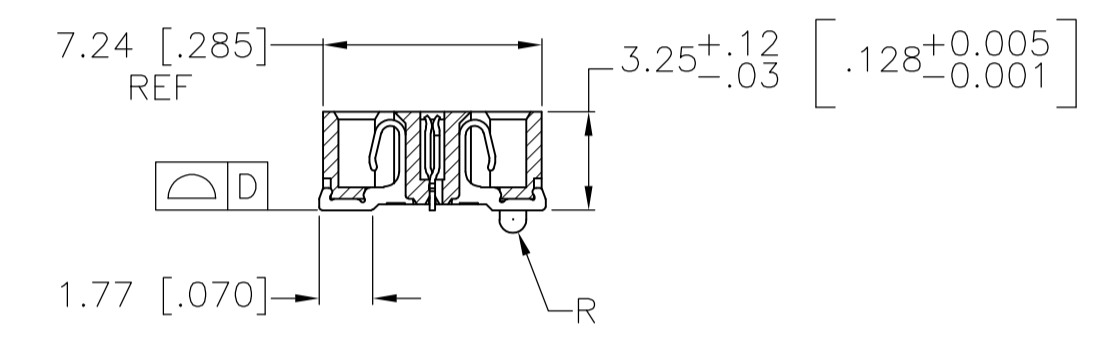
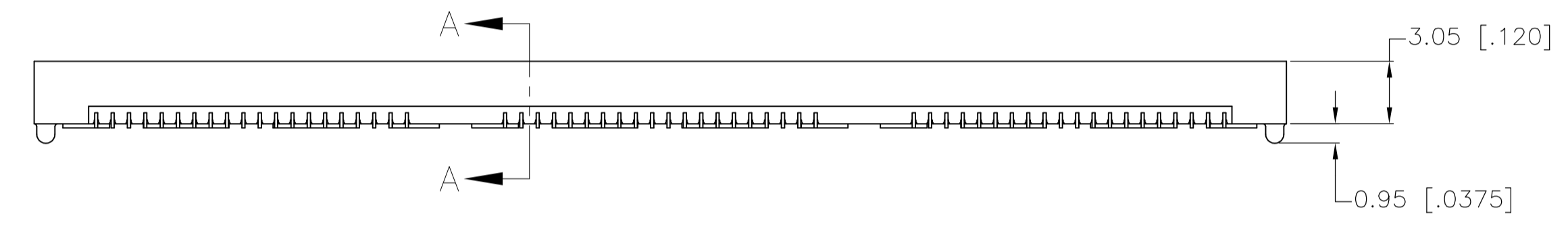
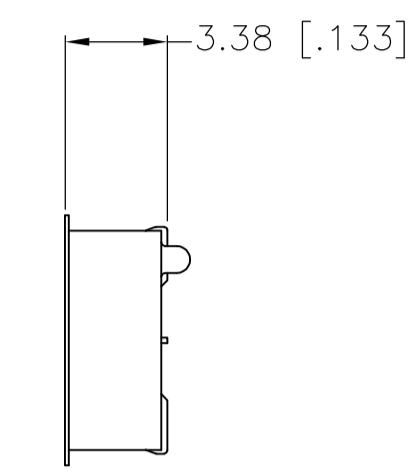
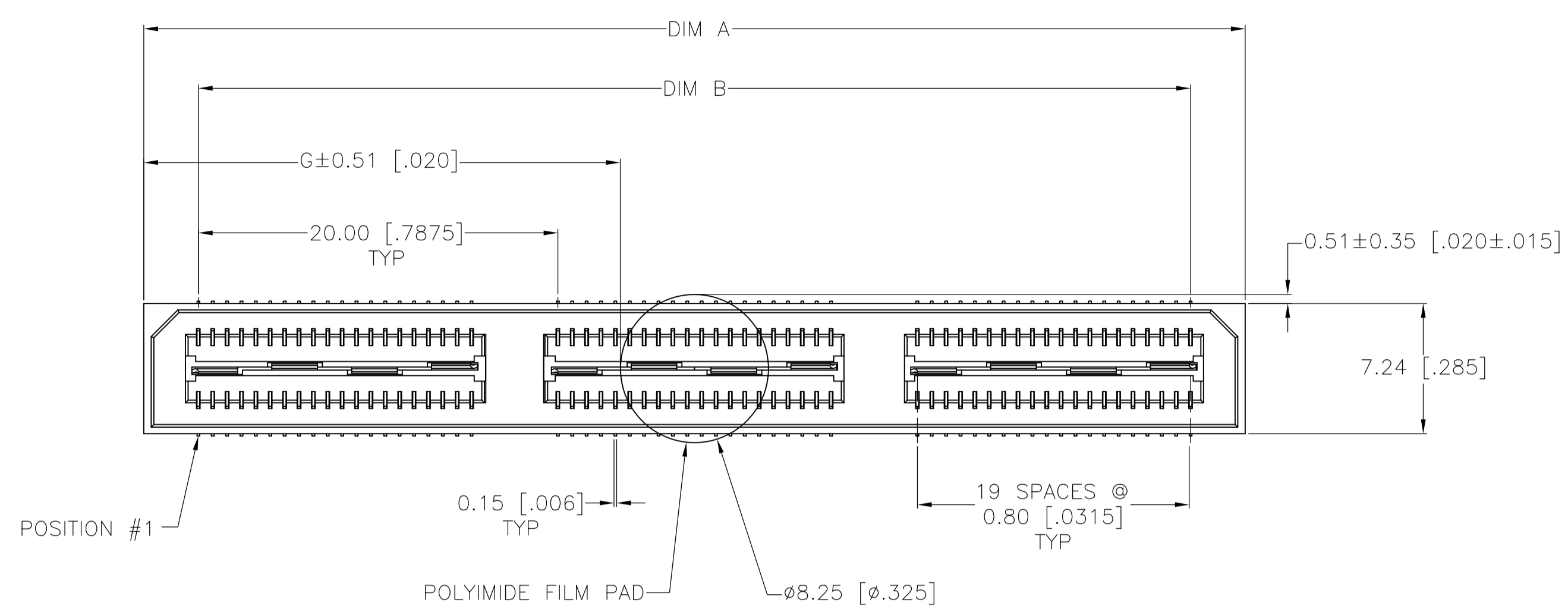
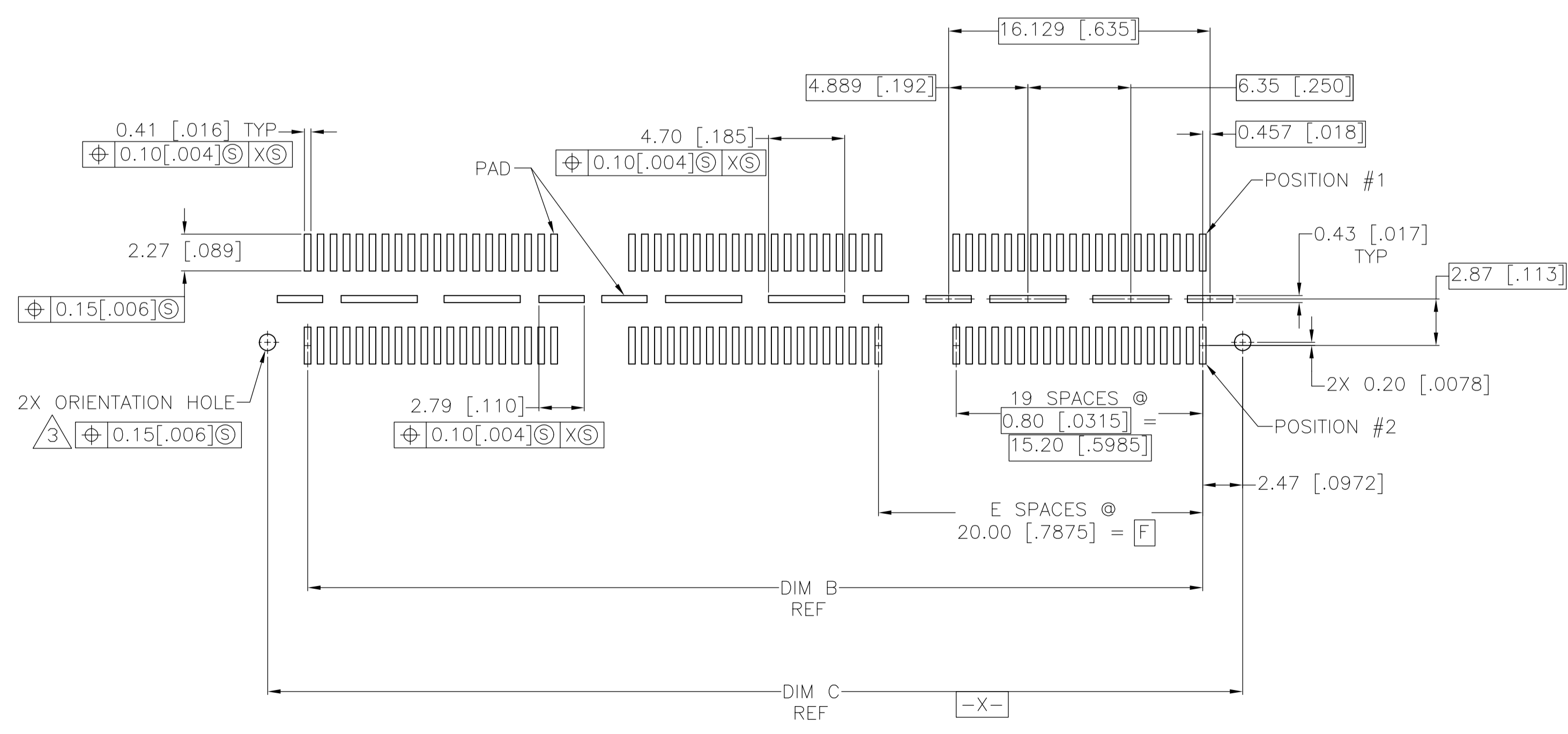
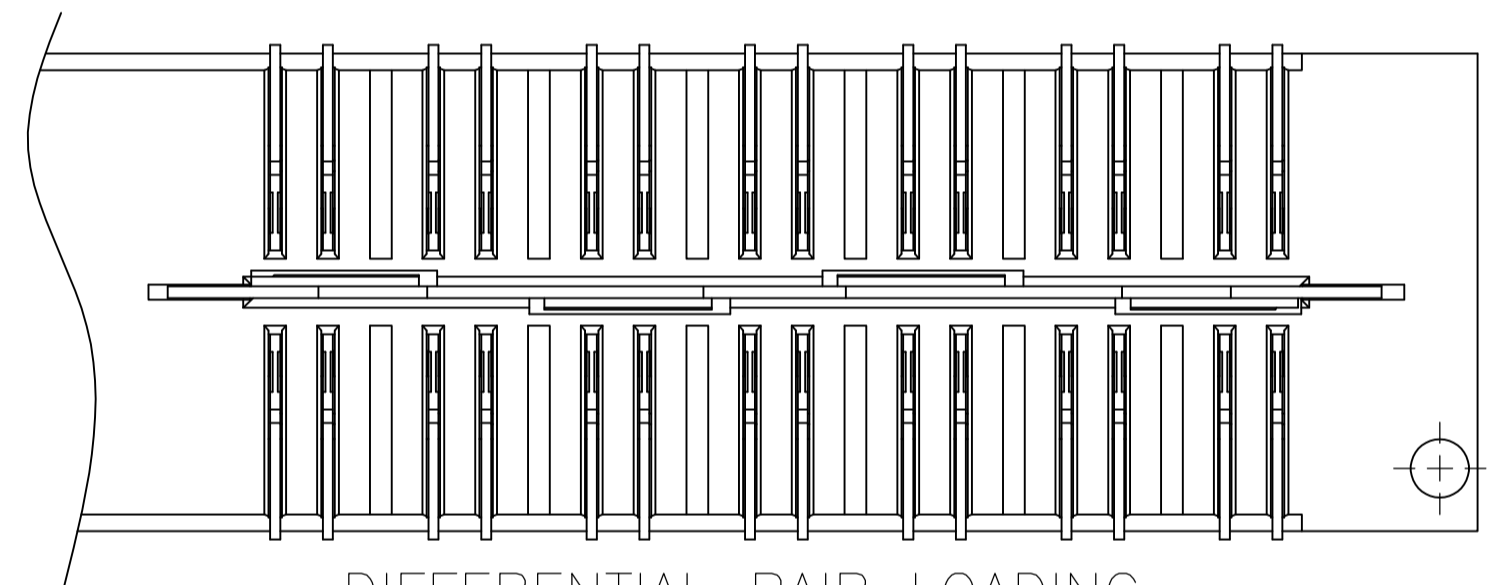
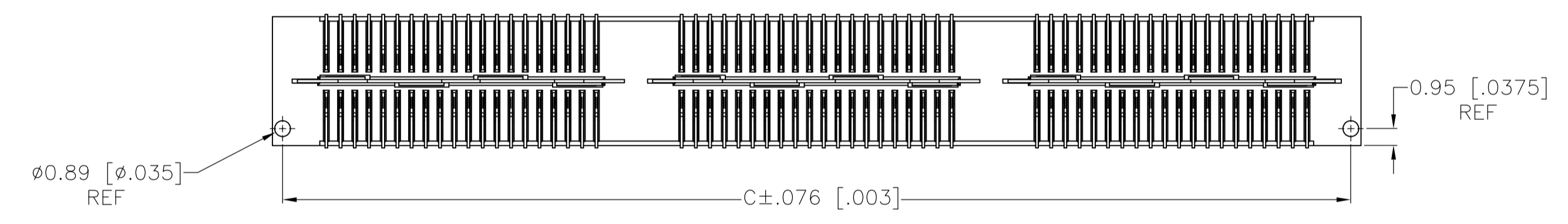


REV	DATE	BY	CHK	APP'D
M2	11MAR11	RK	HMR	

- 1 HOUSING: LCP, BLACK.
CONTACT & GROUND PLANE: PHOS BRONZE.
- 2 CONTACT PLATING: SELECT 0.25 MICROMETERS (.00010 IN) MIN. GOLD.
- 3 FOR STANDARD APPLICATIONS, ORIENTATION HOLE TO BE $\phi 1.02$ [$\phi 0.400$].
- 4 OBSOLETE PARTS: OBSOLETE CIS STREAMLINING PER D.RENAUD/D.SINISI



SECTION A-A



RECOMMENDED PC BOARD LAYOUT
VIEWED FROM CONNECTOR SIDE

REV	DATE	BY	CHK	APP'D	DESCRIPTION	DATE	BY	APP'D
M2	11MAR11	RK	HMR		REVISED PER ECO-11-004835	11MAR11	RK	HMR

REV	DATE	BY	CHK	APP'D	DESCRIPTION	DATE	BY	APP'D
1					POCKET TAPE	YES	84	7-1658012-3
2					POCKET TAPE	YES	56	7-1658012-2
3					POCKET TAPE	YES	28	7-1658012-1
4					POCKET TAPE	NO	120	6-1658012-3
5					POCKET TAPE	NO	80	6-1658012-2
6					POCKET TAPE	NO	40	6-1658012-1
7					POCKET TAPE	YES	84	5-1658012-3
8					POCKET TAPE	YES	56	5-1658012-2
9					POCKET TAPE	YES	28	5-1658012-1
10					POCKET TAPE	NO	120	4-1658012-3
11					POCKET TAPE	NO	80	4-1658012-2
12					POCKET TAPE	NO	40	4-1658012-1
13					TRAY	YES	140	3-1658012-5
14					TRAY	YES	112	3-1658012-4
15					TRAY	YES	84	3-1658012-3
16					TRAY	YES	56	3-1658012-2
17					TRAY	YES	28	3-1658012-1
18					TRAY	NO	200	2-1658012-5
19					TRAY	NO	160	2-1658012-4
20					TRAY	NO	120	2-1658012-3
21					TRAY	NO	80	2-1658012-2
22					TRAY	NO	40	2-1658012-1
23					TRAY	YES	140	1-1658012-5
24					TRAY	YES	112	1-1658012-4
25					TRAY	YES	84	1-1658012-3
26					TRAY	YES	56	1-1658012-2
27					TRAY	YES	28	1-1658012-1
28					TRAY	NO	200	1658012-5
29					TRAY	NO	160	1658012-4
30					TRAY	NO	120	1658012-3
31					TRAY	NO	80	1658012-2
32					TRAY	NO	40	1658012-1

THIS DRAWING IS A CONTROLLED DOCUMENT.

STANDARD: 180CT04

DATE: 18OCT04

REVISION: 180CT04

NAME: RECEPTACLE ASSEMBLY, VERTICAL 0.80MM CL.

SCALE: 4:1

SHEET 1 OF 1

REV M2

X-ON Electronics

Largest Supplier of Electrical and Electronic Components

Click to view similar products for [Board to Board & Mezzanine Connectors](#) category:

Click to view products by [TE Connectivity](#) manufacturer:

Other Similar products are found below :

[10135583-642402LF](#) [89885-310LF](#) [589158040000018](#) [6-1393048-0](#) [68683-613](#) [MDF7-12DP-2.54DSA](#) [MDF7-18P-2.54DSA\(01\)](#) [MDF7-20DP-2.54DSA](#) [MDF7-26D-2.54DSA\(55\)](#) [MDF7-3P-2.54DSA\(01\)](#) [MDF7B-3P-2.54DSA\(55\)](#) [MDF7C-11P-2.54DSA\(55\)](#) [MDF7C-18P-2.54DSA\(55\)](#) [MDF7C-5P-2.54DSA\(01\)](#) [MDF7P-5P-2.54DSA\(55\)](#) [75234-0516](#) [FCN-230C068-11](#) [FCN-268F012-G/BD](#) [FCN-268F036-G/BD](#) [FCN-268M012-G/0D](#) [FCN-268M024-G/1D](#) [FCN-360C008-C](#) [FCN-360C040-C](#) [FCN-723J004/1](#) [MIS-048-01-F-D-DP-K](#) [832-10-034-10-001000](#) [93696-325LF](#) [11828-1FA](#) [AXK630345P](#) [18097-0013](#) [ICA-328STT](#) [2007042-2](#) [304400-2](#) [FCN-214Q030-G/0](#) [FCN-215Q040-G/0](#) [FCN-230C068-ESA](#) [FCN-234P048-G/0](#) [FCN-235D050-G/C](#) [FCN-360A3](#) [FCN-360C040-B](#) [210-93-314-41-105000](#) [2-22603-0](#) [379-064-521-202](#) [MDF7-12P-2.54DSA\(01\)](#) [MDF7-16P-2.54DS\(56\)](#) [MDF7-40DP-2.54DSA\(55\)](#) [MDF7-8P-2.54DSA\(55\)](#) [MDF7B-16P-2.54DSA\(55\)](#) [AXG720047](#) [5031084030](#)